

ASSEMBLY INSTRUCTIONS FOR #99805 (831-15)

FIG. A

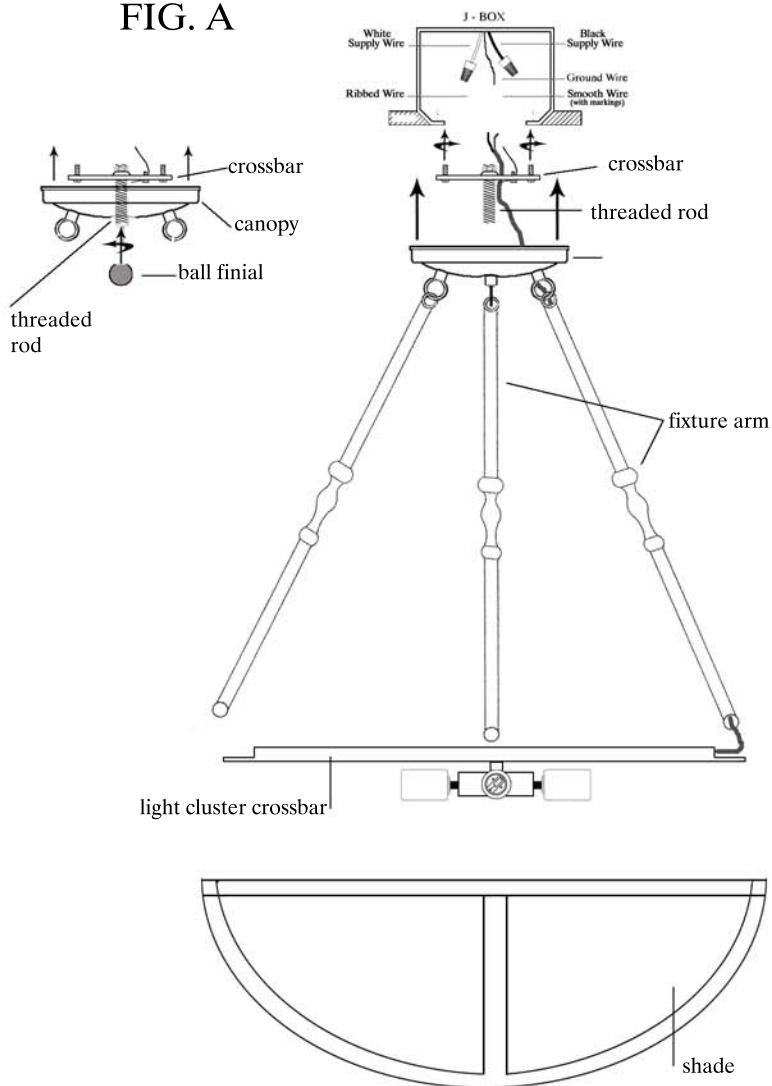
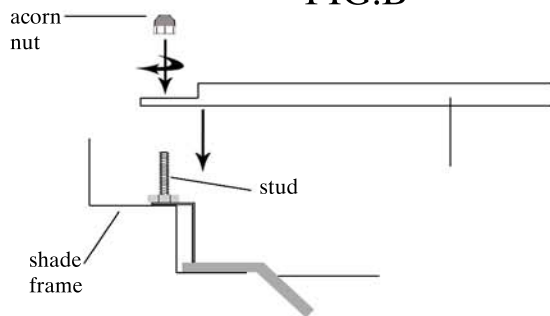


FIG. B



IMPORTANT

TURN OFF THE POWER AT THE MAIN FUSE OR CIRCUIT BREAKER BOX BEFORE STARTING INSTALLATION

CAREFULLY UNPACK AND IDENTIFY ALL PARTS BEFORE ASSEMBLY. BULBS ARE NOT INCLUDED

1. Screw crossbar with threaded rod to j-box.FIG. A
2. Wire as per local electrical code.
3. Place canopy with fixture arm and light cluster crossbar attached up and onto threaded rod.FIG. A
4. Screw ball finial onto threaded
5. Place remaining fixture arms onto canopy hooks. Attach shade to fixture arms.FIG. A
6. Place light cluster crossbar onto studs located on inside of shade frame.FIG. B
7. Tighten light cluster crossbar onto studs with acorn nuts provided. FIG. B

CAUTION: DO NOT OVERTIGHTEN ACORN NUTS ONTO STUDS!



"A Commitment to Excellence in Lighting and Service"

CALL OUR CUSTOMER SERVICE DEPARTMENT AT 1-800-222-4009

MONDAY - FRIDAY 8:00 a.m. - 6:00 p.m. ET

visit us on the web at www.meyda.com