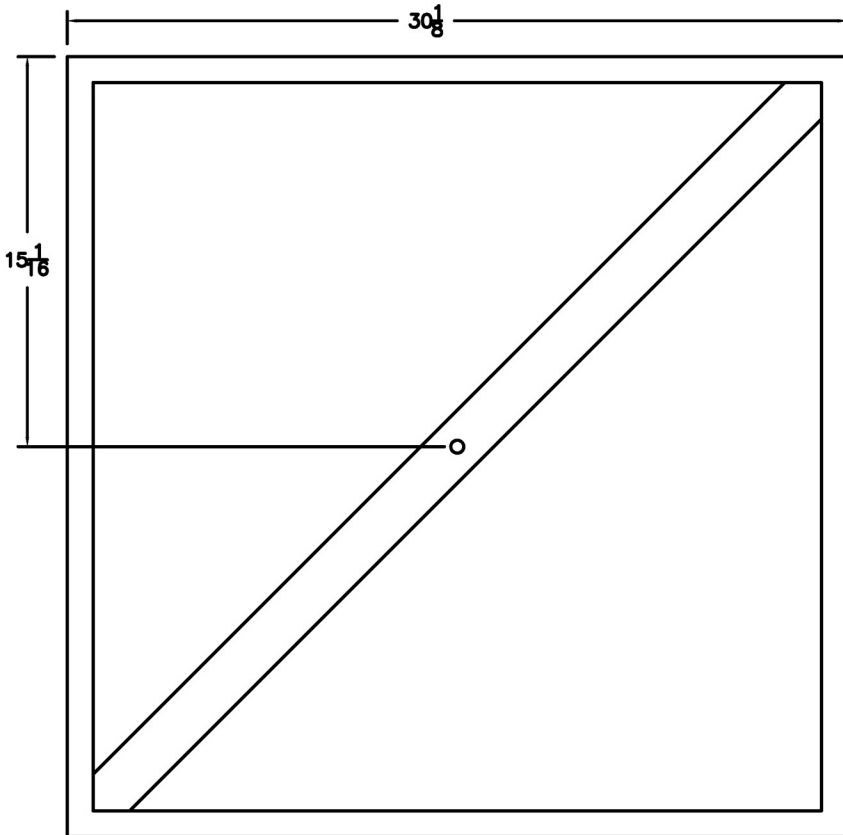


ASSEMBLY INSTRUCTIONS FOR 99209



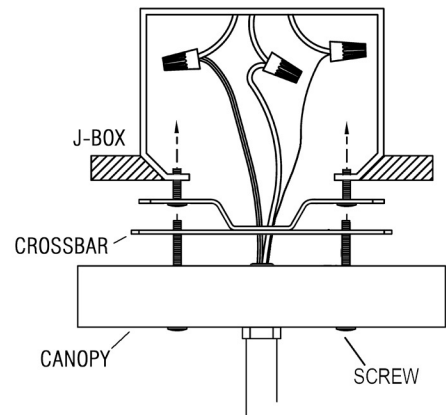
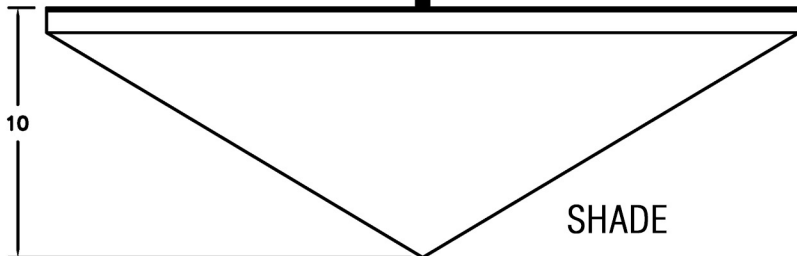
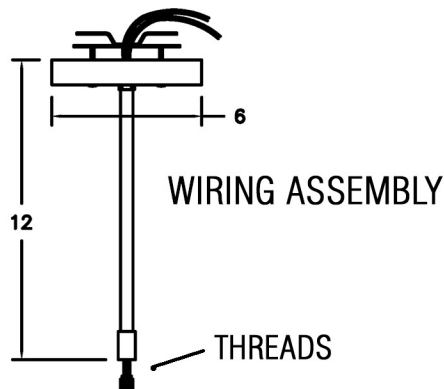
ATTACH WIRING ASSEMBLY TO EXPOSED THREADS ON SHADE ASSEMBLY MAKING SURE THAT ALL WIRES ARE THREADED THROUGH ROD AND CANOPY. ATTACH ASSEMBLED FIXTURE TO CEILING AS BELOW.

IMPORTANT

TURN OFF THE POWER AT THE MAIN FUSE OR CIRCUIT BREAKER BOX BEFORE STARTING INSTALLATION

CAREFULLY UNPACK AND IDENTIFY ALL PARTS BEFORE ASSEMBLY. BULBS ARE NOT INCLUDED

1. Remove crossbar from canopy. (save long screws).
2. Attach crossbar to J-BOX using short screws provided.
3. Wire canopy to J-BOX per local electrical code.
4. Using long phillip head screws attach canopy to crossbar in corresponding holes. Tighten canopy flush with ceiling.
5. Turn power on to J-Box



"A Commitment to Excellence in Lighting and Service"

CALL OUR CUSTOMER SERVICE DEPARTMENT AT 1-800-222-4009

MONDAY - FRIDAY 8:00 a.m. - 6:00 p.m. ET

visit us on the web at www.meyda.com