

ASSEMBLY INSTRUCTIONS FOR #70384 (1-0059178198-175)

J Box

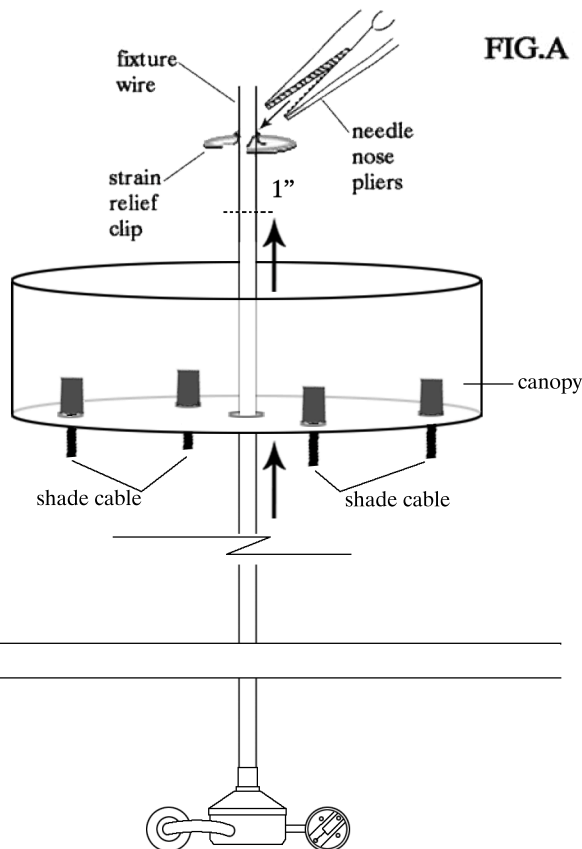


FIG.A

IMPORTANT

TURN OFF THE POWER AT THE MAIN FUSE OR CIRCUIT BREAKER BOX BEFORE STARTING INSTALLATION

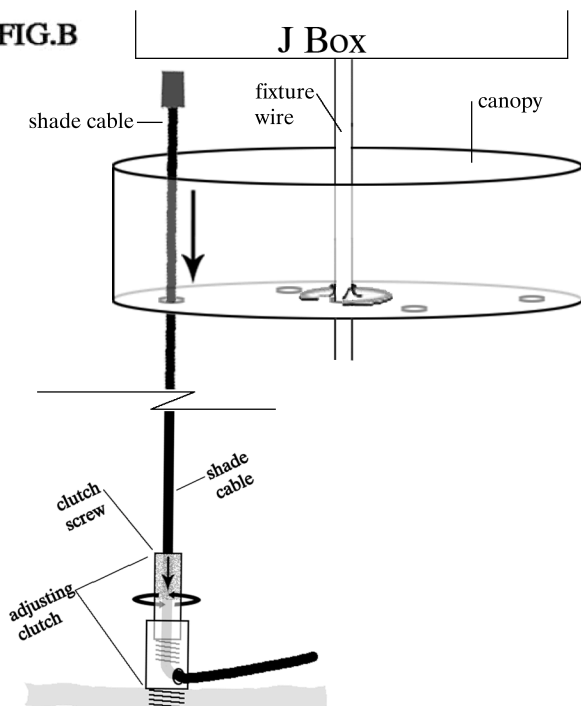
CAREFULLY UNPACK AND IDENTIFY ALL PARTS BEFORE ASSEMBLY. BULBS ARE NOT INCLUDED

1. Thread fixture wire through canopy, determine the over all length of fixture from ceiling to the bottom of shade.
2. Add 1" to pre determined fixture wire length and place strain relief clip onto wire at this location. FIG.A

(Be Sure To Leave A Minimum Of 6" Of Wire Above This Location For Attachment To Jbox Wires).

3. Using needle nose pliers crimp strain relief clip onto fixture wire. FIG.A
4. Screw crossbar onto j-box, make sure canopy screws protrude downward from crossbar so that when canopy is placed to ceiling 1/4" of thread is exposed from canopy.
5. Place shade cables through holes on outer edge of canopy as shown . FIG.B
6. Attach canopy with shade cables and fixture wire to ceiling and secure to canopy nuts.
7. Place shade cables through adjusting clutch as shown. FIG.B
8. Raise the shade as you pull on shade cables to desired height. When desired shade height has been achieved turn clutch screw clock wise to tighten, trim excess shade cable. FIG.B

FIG.B



✳ Adjusting clutch has a self locking mechanism built into It. When you pull shade cable through adjusting clutch shade cable is locked at that position. To release shade cable from adjusting clutch take weight from shade cable, push down on clutch screw and pull shade cable back through adjusting clutch.



"A Commitment to Excellence in Lighting and Service"

CALL OUR CUSTOMER SERVICE DEPARTMENT AT 1-800-222-4009

MONDAY - FRIDAY 8:00 a.m. - 6:00 p.m. ET

visit us on the web at www.meyda.com