

CUSTOMER NAME:

CUSTOMER #:



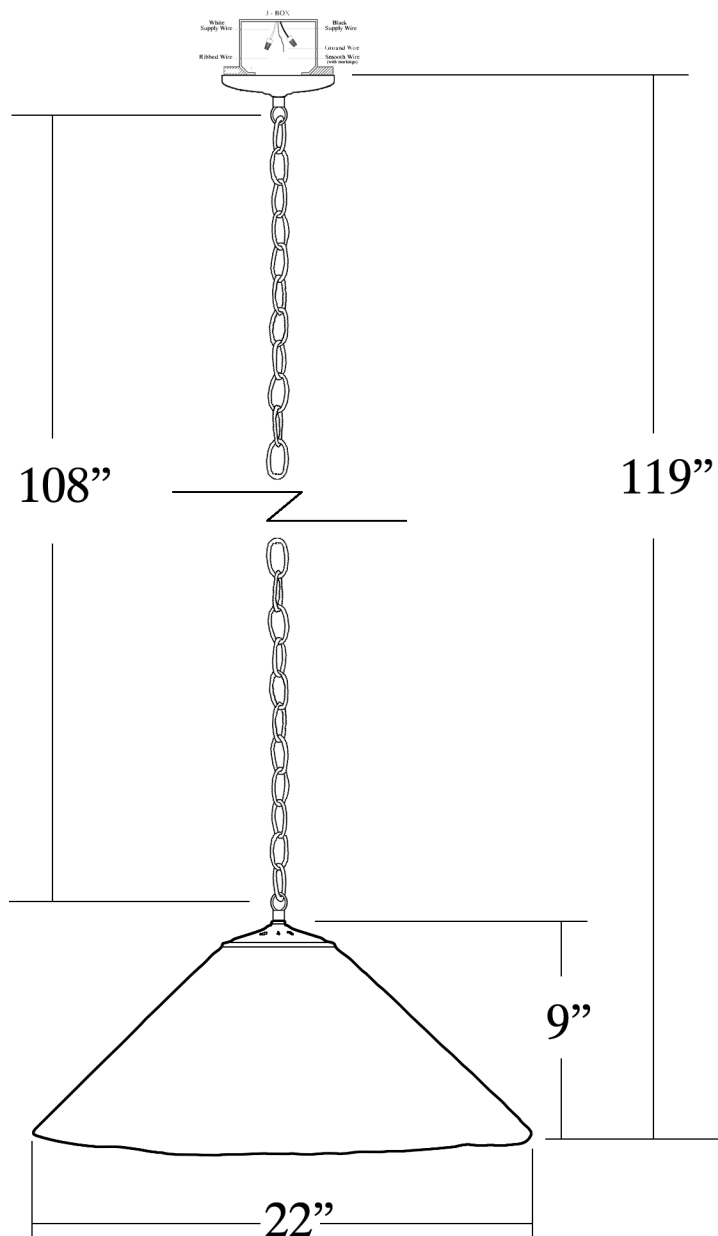
CUSTOMER PROPOSAL/CUT SHEET

"A Commitment to Excellence in Lighting and Service"

CALL OUR CUSTOMER SERVICE DEPARTMENT AT 1-800-222-4009

MONDAY - FRIDAY 8:00 a.m. - 6:00 p.m. ET

visit us on the web at www.meyda.com



© MEYDA TIFFANY, INC. © DESIGN COPYRIGHT, MEYDA TIFFANY, INC. ALL RIGHTS RESERVED, NO UNAUTHORIZED DUPLICATION



ITEM# 68300	BULB# 1	LOCATION
DESIGN# SG501-22-1-M1L	TYPE MEDIUM BASE	
FIXTURE TYPE PENDANT	WATT 100	DIMENSIONS/NOTES
LENS/GLASS COLOR AMBER,BEIGE,BROWN,RED	VOLTAGE 120	
FINISH ANTIQUE MAHOGANY	MATERIAL ZINC/GLASS	WEIGHT