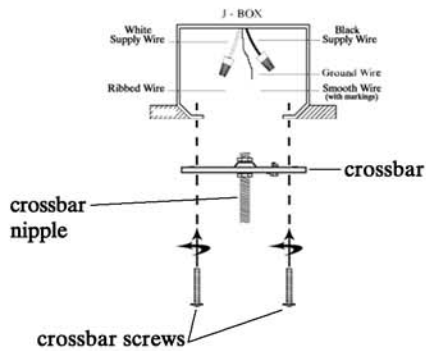
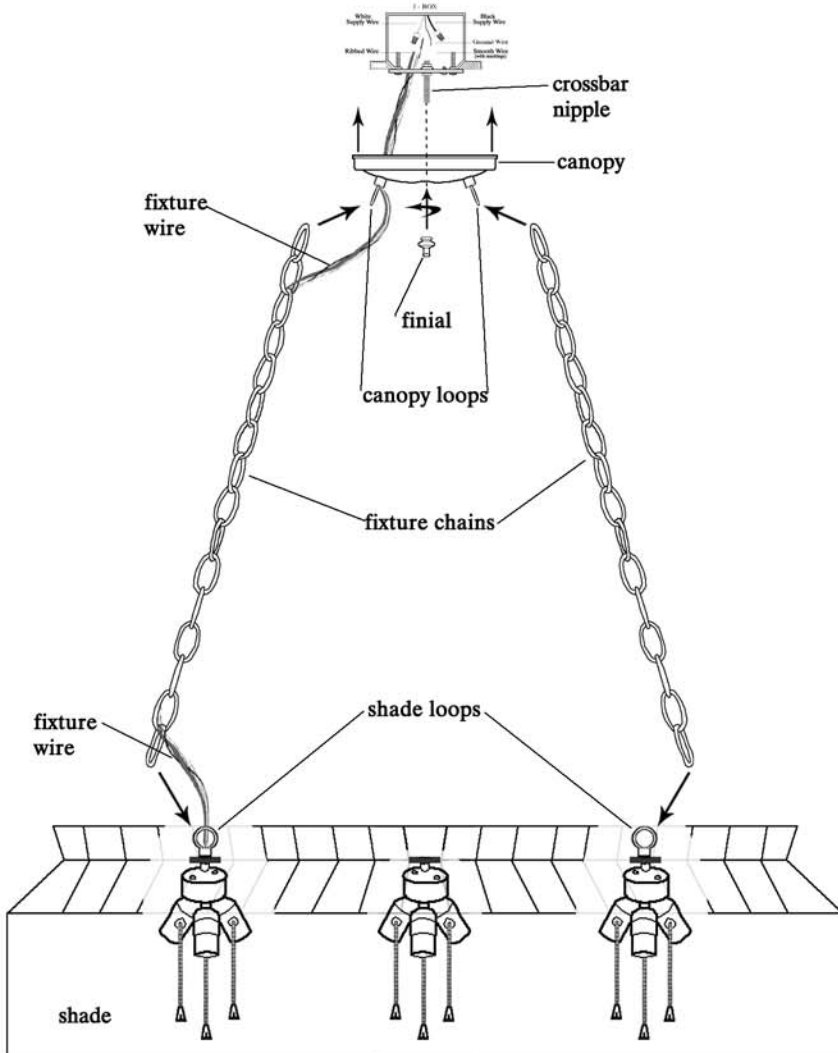


# ASSEMBLY INSTRUCTIONS FOR 66677 (MS228-39P-1-M20-3)

## FIG.A



## FIG.B



### IMPORTANT

**TURN OFF THE POWER AT THE MAIN FUSE OR CIRCUIT BREAKER BOX BEFORE STARTING INSTALLATION**

**CAREFULLY UNPACK AND IDENTIFY ALL PARTS BEFORE ASSEMBLY. BULBS ARE NOT INCLUDED**



**DO NOT REMOVE CANOPY LOOPS OR REINFORCEMENT PLATE FROM CANOPY**

— THIS IS A 2 PERSON JOB —

1. Attach crossbar to jbox. FIG.A
2. Attach fixture chains to shade loops and canopy loops. FIG.B
3. Place fixture wire through fixture chain and canopy. FIG.B
4. Wire as per local electrical code.
5. Place canopy (with fixture) onto crossbar nipple to ceiling, screw finial onto crossbar nipple and tighten to canopy. FIG.B



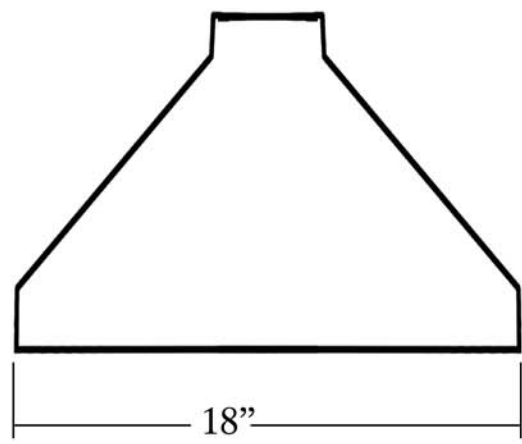
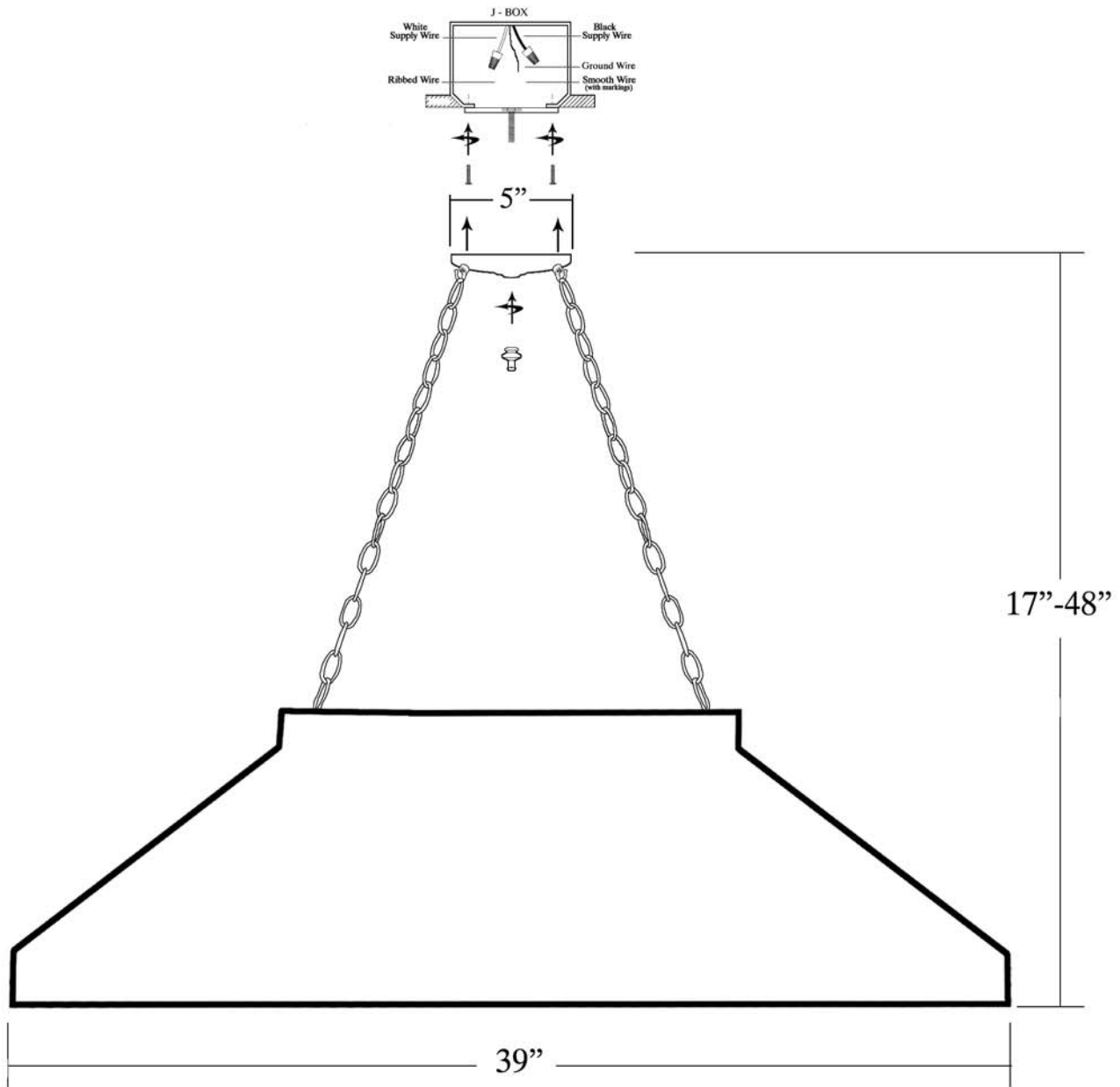
*"A Commitment to Excellence in Lighting and Service"*



CALL OUR CUSTOMER SERVICE DEPARTMENT AT 1-800-222-4009

MONDAY - FRIDAY 8:00 a.m. - 6:00 p.m. ET

visit us on the web at [www.meyda.com](http://www.meyda.com)

# CUT SHEET, ITEM #66677



 	DRAWN BY 244	WEIGHT 9.5LBS	DATE 2-9-09	© MEYDA TIFFANY, INC. © DESIGN COPYRIGHT, MEYDA TIFFANY, INC. ALL RIGHTS RESERVED, NO UNAUTHORIZED DUPLICATION			
	VOLTAGE 110	GLASS COLOR BEIGE, HONEY, GREEN, ROOT BEER		BULB # 9	DISCRPTION NAVAJO MISSION OBLONG PENDANT	PROJECT NUMBER MS228-39P-1-M20-3	
	FINISH ANTIQUE MAHOGANY			TYPE MEDIUM BASE	DESIGN NUMBER		
	MATERIAL METAL/GLASS			WATT 100 MAX.	FIXTURE TYPE OBLONG PENDANT	FINAL MODEL NUMBER 66677	