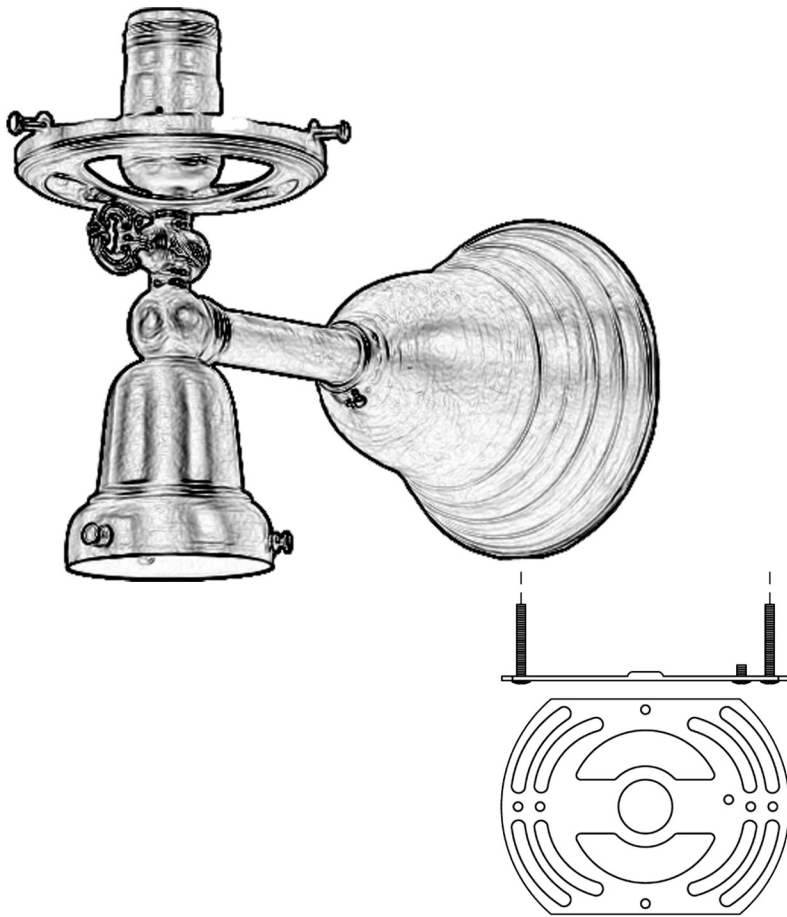


ASSEMBLY INSTRUCTIONS FOR (QGL2SCC-05-)



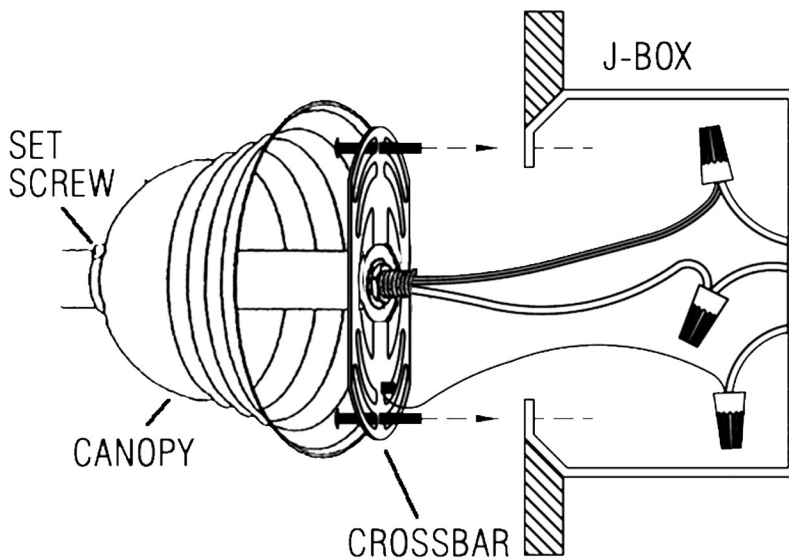
A-791	BRASS BEEHIVE SL	1
T34	INCHES OF 3/4" R	6
7"PIPE	7" PIPE 3/4" T X	1
A-2759	UNIVERSAL CIRCLE	1
A-3003	3/4" ROUND BRASS	2
8-32 SCREW	8-32 X 1-1/2" AB	2
A-2894	BRASS THUMB SCRE	6
A-2952	LG BRASS ELBOW T	1
A-3922	FIXED BRASS GASC	1
A-29	STAMPED BRASS GA	1
A-2975	LG BRASS TEE 1 1	1
a-4059	BRASS KEYLESS SO	1
A-4113	18" GROUND WIRE/	1
-79	PORCELAIN SOCKET	1
93-131-1	FT OF BROWN WIRE	24
90/390	SPIDER WASHER	2
90-283	1" NIPPLE	1
90-1035	1/8IP LOCK NUTS	2
L	ASSEMBLY LABOR	45

IMPORTANT

TURN OFF THE POWER AT THE MAIN FUSE OR CIRCUIT BREAKER BOX BEFORE STARTING INSTALLATION

CAREFULLY UNPACK AND IDENTIFY ALL PARTS BEFORE ASSEMBLY. BULBS ARE NOT INCLUDED

1. Loosen set screw and slide canopy as far up tube/neck as possible.
2. Attach crossbar to J-BOX using screws provided.
3. Wire sconce to J-BOX per local electrical code.
4. Slide canopy back down tube/neck over crossbar tightly against wall. Secure by tightening set screw.
5. Turn power on to J-Box



"A Commitment to Excellence in Lighting and Service"

CALL OUR CUSTOMER SERVICE DEPARTMENT AT 1-800-222-4009

MONDAY - FRIDAY 8:00 a.m. - 6:00 p.m. ET

visit us on the web at www.meyda.com