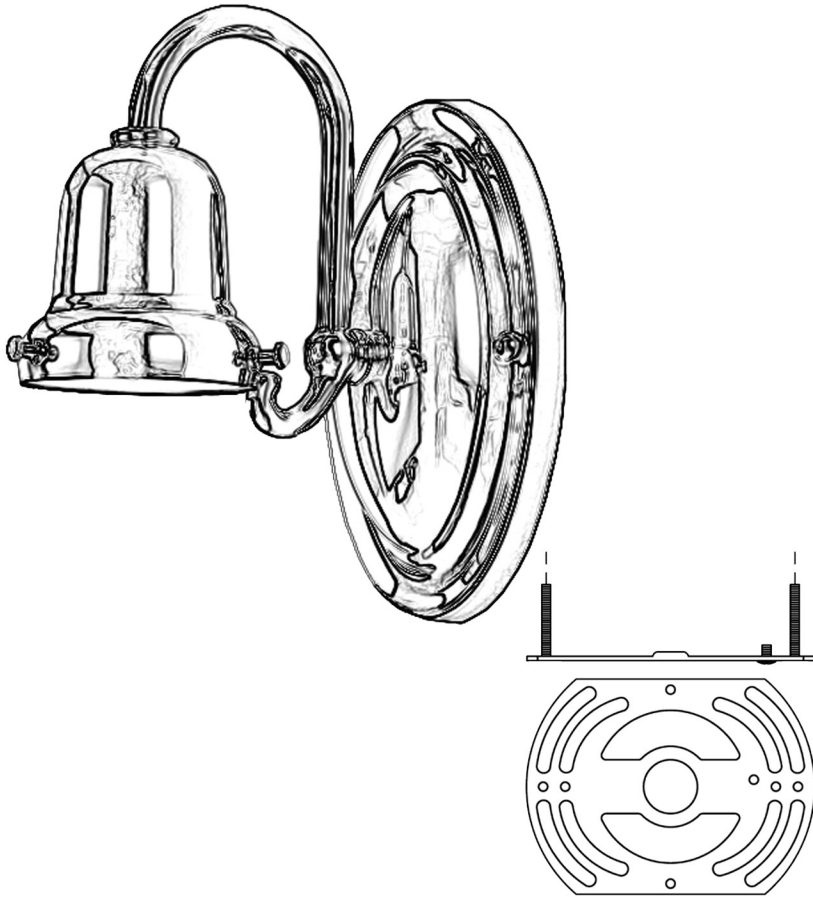
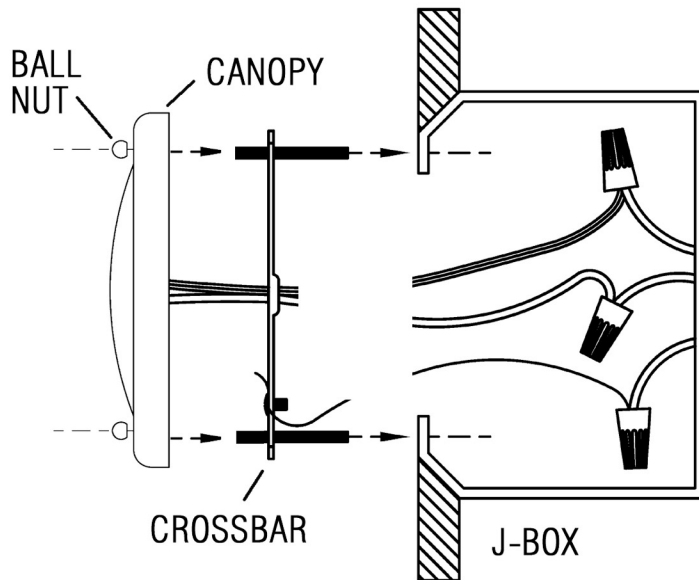


ASSEMBLY INSTRUCTIONS FOR (QGL1SCE-04-)



A-4058	SMALL BRASS ARM	1
-139	3" BRASS J ARM	1
A-2759	UNIVERSAL CIRCLE	1
A-3122	2 1/4" BRASS BEL	1
A-720	STAMPED BRASS BA	1
93-131-1	FT OF BROWN WIRE	2
-79	PORCELAIN SOCKET	1
A-4113	18" GROUND WIRE/	1
A-2894	BRASS THUMB SCRE	3
L	ASSEMBLY LABOR	25
8-32 SCREW	8-32 X 1-1/2" AB	2
2513	3/8 SOLID BRASS	2
A-4113	18" GROUND WIRE/	1
90-1035	1/8IP LOCK NUTS	2
90-1035	1/8IP LOCK NUTS	2



IMPORTANT
TURN OFF THE POWER AT THE
MAIN FUSE OR CIRCUIT BREAKER
BOX BEFORE
STARTING INSTALLATION

CAREFULLY UNPACK AND IDENTIFY ALL
PARTS BEFORE ASSEMBLY. BULBS ARE
NOT INCLUDED

1. Remove crossbar from scone plate. (save ball nuts and threaded studs).
2. Attach crossbar to J-BOX using studs removed from scone.
3. Wire scone to J-BOX per local electrical code.
4. Slide scone canopy over studs attached to crossbar and secure against wall using ball nuts that had been removed in step 1.
5. Turn power on to J-Box



"A Commitment to Excellence in Lighting and Service"

CALL OUR CUSTOMER SERVICE DEPARTMENT AT 1-800-222-4009

MONDAY - FRIDAY 8:00 a.m. - 6:00 p.m. ET

visit us on the web at www.meyda.com