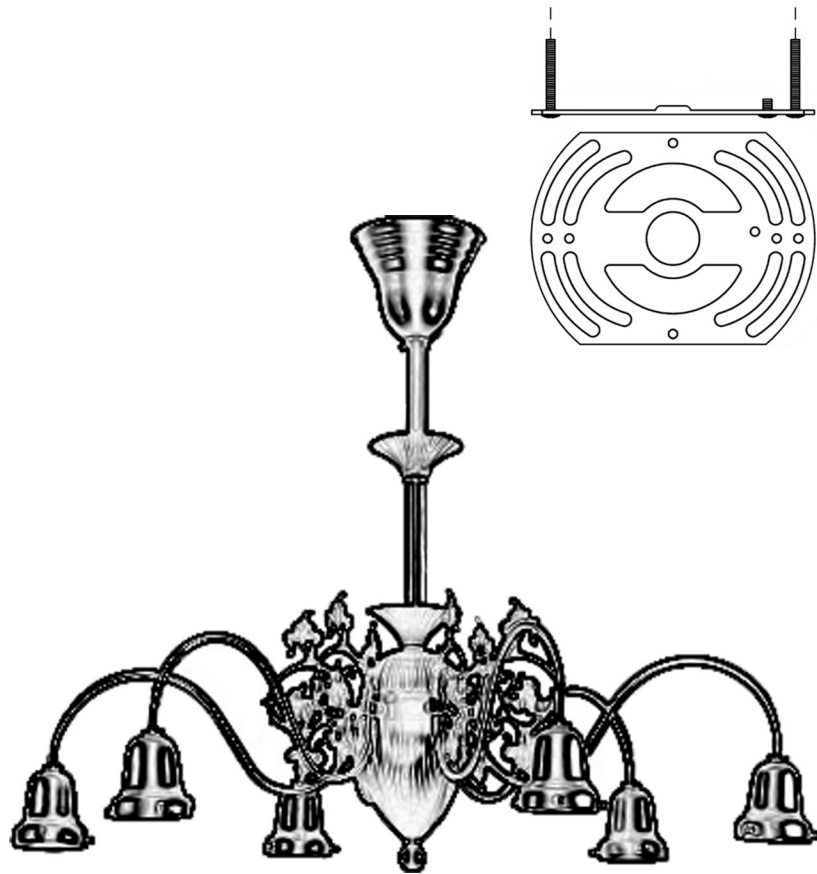
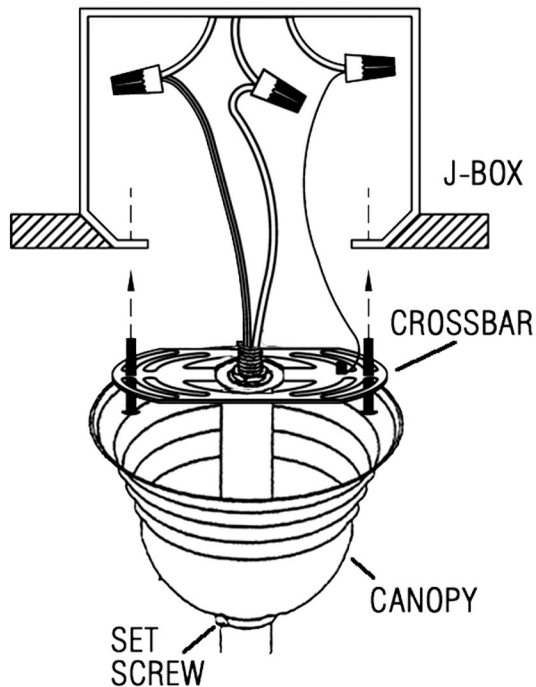


ASSEMBLY INSTRUCTIONS FOR (QGL6CHE-)



A-2902	6 HOLE BRASS CEN	1
A-3557	4"W RIBBED BODY	1
A-3603	4"W RIBBED BODY	1
A-3122	2 1/4" BRASS BEL	6
A-3016	LEAF BRASS ARMB	6
A-3563	5.25"W SPUN BRAS	1
-79	PORCELAIN SOCKET	6
A-866	FLUTED STAMPED B	2
A-3205	BRASS FIXTURE AR	6
A-1156	3/4"W BRASS DONU	6
A-3123	BRASS BALL 3/4"	1
T34	INCHES OF 3/4" R	20
8/32 BR SCRW	8/-32X3/8" BRASS	18
L	ASSEMBLY LABOR	360



IMPORTANT
TURN OFF THE POWER AT THE
MAIN FUSE OR CIRCUIT BREAKER
BOX BEFORE
STARTING INSTALLATION

CAREFULLY UNPACK AND IDENTIFY ALL
PARTS BEFORE ASSEMBLY. BULBS ARE
NOT INCLUDED

1. Loosen set screw and slide canopy as far up tube/neck as possible.
2. Attach crossbar to J-BOX using screws provided.
3. Wire sconce to J-BOX per local electrical code.
4. Slide canopy back down tube/neck over crossbar tightly against ceiling. Secure by tightening set screw.
5. Turn power on to J-Box



"A Commitment to Excellence in Lighting and Service"

CALL OUR CUSTOMER SERVICE DEPARTMENT AT 1-800-222-4009

MONDAY - FRIDAY 8:00 a.m. - 6:00 p.m. ET

visit us on the web at www.meyda.com