

INSTALLATION INSTRUCTIONS

FOR ITEM 38731 BUNGALOW ROSE INVERTED PENDANT

Meyda
CUSTOM LIGHTING

CAUTION: FAILURE TO INSTALL THIS FIXTURE PROPERLY MAY RESULT IN SERIOUS PERSONAL INJURY OR DEATH AND PROPERTY DAMAGE. We recommend installation by a licensed electrician. This product must be installed in accordance with applicable installation code(s), by a person familiar with the construction and operation of the product and the hazards involved.*

Caution: Do not exceed maximum wattage noted on fixture. Use only recommended bulbs with fixture.

FIXTURE COMPONENTS

1. CANOPY ASSEMBLY
2. 30" CHAIN
3. HUB W/ STEM ASSEMBLY, LIGHT CLUSTER, & LEAD WIRE
4. ROSE HOOKS (QTY 16)
5. 36" SQ SHADE FRAME
6. GLASS DIFFUSER PANELS (QTY 60)
7. PLASTIC WASHERS & HEX NUTS

Caution: Be sure power is off at the main breaker box prior to installation. Read all instructions in their entirety before beginning installation.

1. Carefully unpack all components and make certain that everything is accounted for.

2. Unscrew Collar from from Canopy Assembly to release Crossbar, Brass Loop, & Quick Link.

3. Mount Crossbar to structure ensuring that connection is suitable for minimum 60lbs and that Electrical Line Wires remain accessible.

4. Unravel Fixture Lead Wire from top of Hub.

5. Attach desired length of Chain to Quick Link at top of Hub.

6. Run Fixture Lead Wire up Chain. It is recommended to weave Wire through every 3rd Link of Chain.

7. Slide first Screw Collar and then Canopy over Chain and Wire and let rest on top of Hub.

8. Attach loose end of Chain to Quick Link on Crossbar.

9. Feed Fixture Lead Wire through Crossbar Loop and make electrical connection to Structure Line Wires following all Local Codes and Procedures.

10. Slide Canopy and Screw Collar up Chain and thread Screw Collar onto Nipple until top of Canopy is flush with ceiling.

11. Hang 4 Rose Hooks from each of the 4 Rose Hook Ends on bottom of Hub.

12. Install Glass Diffuser Panels into Shade Frame by matching corresponding letters on Panels with Frame openings.

ie. Panel labeled with letter "A" will be placed into Shade Frame opening "A", etc.

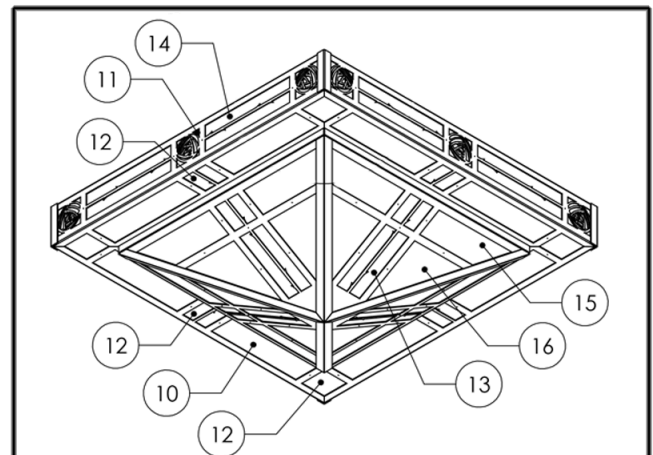
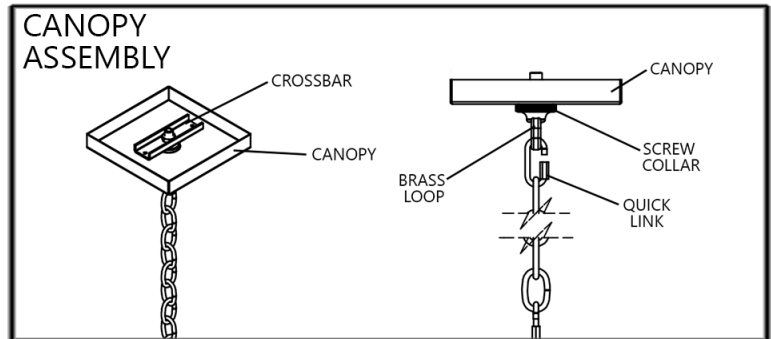
13. Once panels have been placed into Frame, they will be secured using Plastic Washers and Hex Nuts.

Do not overtighten Nuts. Glass will break.

14. After all panels have been secured, Shade can be hung from Rose Hooks.

15. Install 8 Medium Base 60Watt Bulbs(not included).

16. Power on and ENJOY!!



| | | |
|----|------------------------|----|
| 10 | XA GLASS FOR 38731 | 8 |
| 11 | BR GLASS FOR 38731 | 12 |
| 12 | ZASB GLASS A FOR 38731 | 12 |
| 13 | ZASB GLASS B FOR 38731 | 4 |
| 14 | BAI GLASS A FOR 38731 | 8 |
| 15 | BAI GLASS B FOR 38731 | 8 |
| 16 | BAI GLASS C FOR 38731 | 8 |