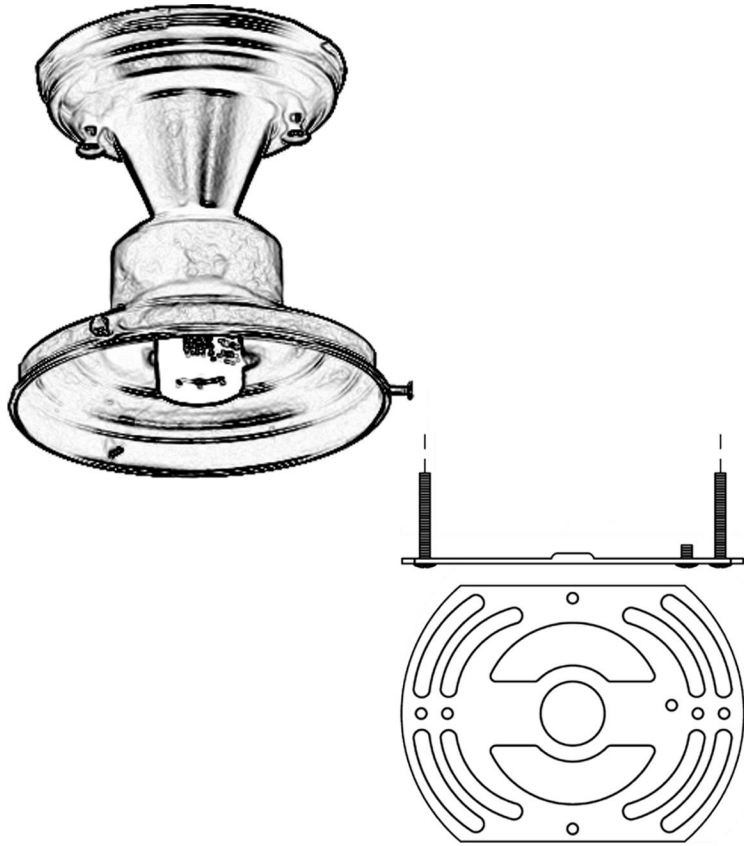
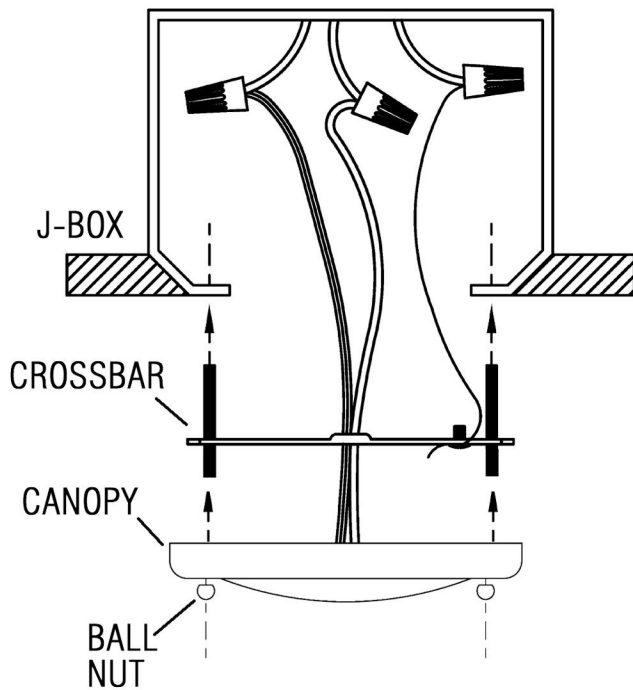


ASSEMBLY INSTRUCTIONS FOR (QT3-6-)



A-2874	LARGE BRASS HOLD	1
A-754	ROUND BRASS CANO	1
-79	PORCELAIN SOCKET	1
A-2894	BRASS THUMB SCRE	3
A-2759	UNIVERSAL CIRCLE	1
L	ASSEMBLY LABOR	20
93-110	COPPER GROUND WI	1



IMPORTANT

TURN OFF THE POWER AT THE MAIN FUSE OR CIRCUIT BREAKER BOX BEFORE STARTING INSTALLATION

CAREFULLY UNPACK AND IDENTIFY ALL PARTS BEFORE ASSEMBLY. BULBS ARE NOT INCLUDED

1. Remove crossbar from scone plate. (save ball nuts and threaded studs).
2. Attach crossbar to J-BOX using studs removed from scone.
3. Wire scone to J-BOX per local electrical code.
4. Slide scone canopy over studs attached to crossbar and secure against ceiling using ball nuts that had been removed in step 1.
5. Turn power on to J-Box



"A Commitment to Excellence in Lighting and Service"

CALL OUR CUSTOMER SERVICE DEPARTMENT AT 1-800-222-4009

MONDAY - FRIDAY 8:00 a.m. - 6:00 p.m. ET

visit us on the web at www.meyda.com

CUSTOMER NAME:

CUSTOMER #:



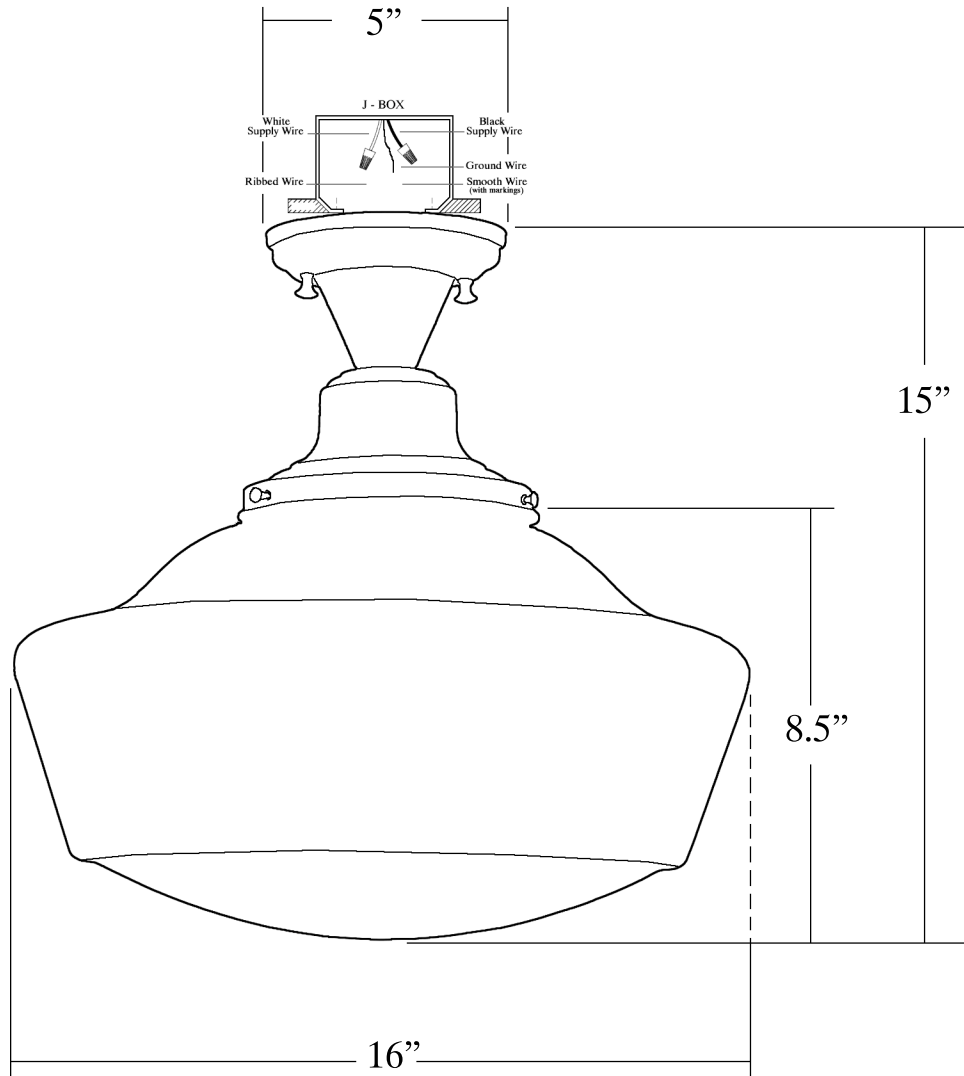
CUSTOMER PROPOSAL/CUT SHEET

"A Commitment to Excellence in Lighting and Service"

CALL OUR CUSTOMER SERVICE DEPARTMENT AT 1-800-222-4009

MONDAY - FRIDAY 8:00 a.m. - 6:00 p.m. ET

visit us on the web at www.meyda.com



© MEYDA TIFFANY, INC. © DESIGN COPYRIGHT, MEYDA TIFFANY, INC. ALL RIGHTS RESERVED, NO UNAUTHORIZED DUPLICATION



ITEM# 30268	BULB# 1	LOCATION
DESIGN# QT3-6-2-S1-16-6	TYPE MEDIUM BASE	
FIXTURE TYPE SEMI-FLUSH	WATT 60	DIMENSIONS/NOTES
LENS/GLASS COLOR WHITE	VOLTAGE 120	
FINISH CRAFTSMAN BROWN	MATERIAL GLASS/BRASS	WEIGHT