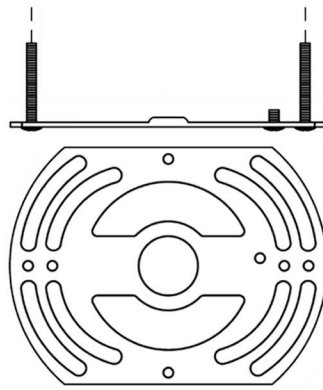
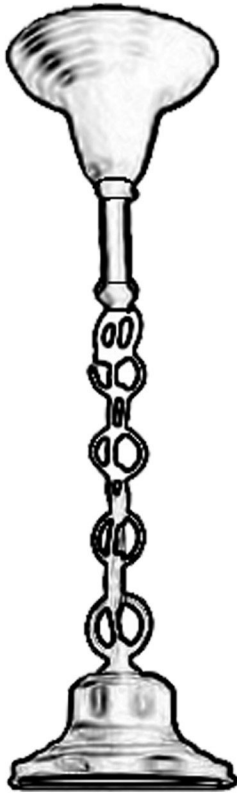
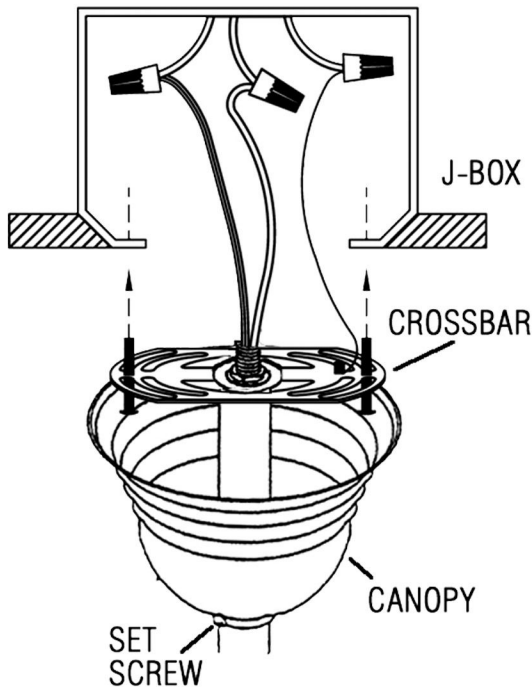


ASSEMBLY INSTRUCTIONS FOR (QT2-48-)



A-1274	6" BRASS SCHOOL	1
A-3059	ROUND BRASS CANO	1
91-019	INCHES 1 1/2 ROU	36
T34	INCHES OF 3/4" R	6
-79	PORCELAIN SOCKET	1
A-2894	BRASS THUMB SCRE	3
A-2759	UNIVERSAL CIRCLE	1
L	ASSEMBLY LABOR	30
93-110	COPPER GROUND WI	1
A-1061	2.25" BRASS LOOP	2



IMPORTANT
TURN OFF THE POWER AT THE
MAIN FUSE OR CIRCUIT BREAKER
BOX BEFORE
STARTING INSTALLATION

CAREFULLY UNPACK AND IDENTIFY ALL
PARTS BEFORE ASSEMBLY. BULBS ARE
NOT INCLUDED

1. Loosten set screw and slide canopy as far up tube/neck as possible.
2. Attach crossbar to J-BOX using screws provided.
3. Wire sconce to J-BOX per local electrical code.
4. Slide canopy back down tube/neck over crossbar tightly against ceiling. Secure by tightening set screw.
5. Turn power on to J-Box



"A Commitment to Excellence in Lighting and Service"

CALL OUR CUSTOMER SERVICE DEPARTMENT AT 1-800-222-4009

MONDAY - FRIDAY 8:00 a.m. - 6:00 p.m. ET

visit us on the web at www.meyda.com

CUSTOMER NAME:

CUSTOMER #:

CUSTOMER PROPOSAL/CUT SHEET

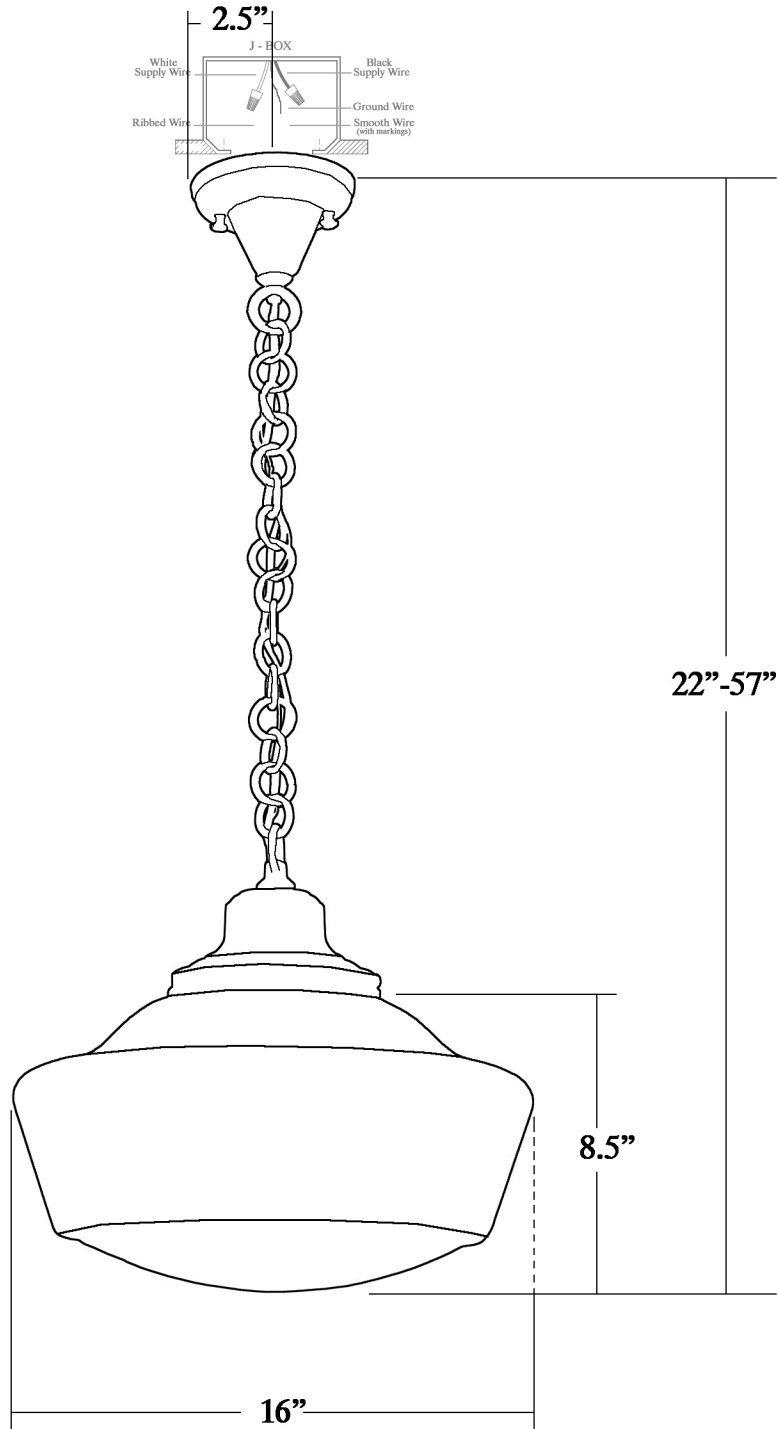


"A Commitment to Excellence in Lighting and Service"

CALL OUR CUSTOMER SERVICE DEPARTMENT AT 1-800-222-4009

MONDAY - FRIDAY 8:00 a.m. - 6:00 p.m. ET

visit us on the web at www.meyda.com



© MEYDA TIFFANY, INC. © DESIGN COPYRIGHT, MEYDA TIFFANY, INC. ALL RIGHTS RESERVED. NO UNAUTHORIZED DUPLICATION



ITEM# 30223	BULB# 1	LOCATION
DESIGN# QT2-48-2-S1-16-16	TYPE MEDIUM BASE or GU24 SELF BALLASTED	
FIXTURE TYPE CEILING PENDANT	WATT 100	DIMENSIONS/NOTES
LENS/GLASS COLOR WHITE	VOLTAGE 120	
FINISH BRUSHED BRASS or CRAFTSMAN BROWN	MATERIAL GLASS/BRASS	WEIGHT