

CUSTOMER NAME:

CUSTOMER #: 60330

CUSTOMER PROPOSAL/CUT SHEET

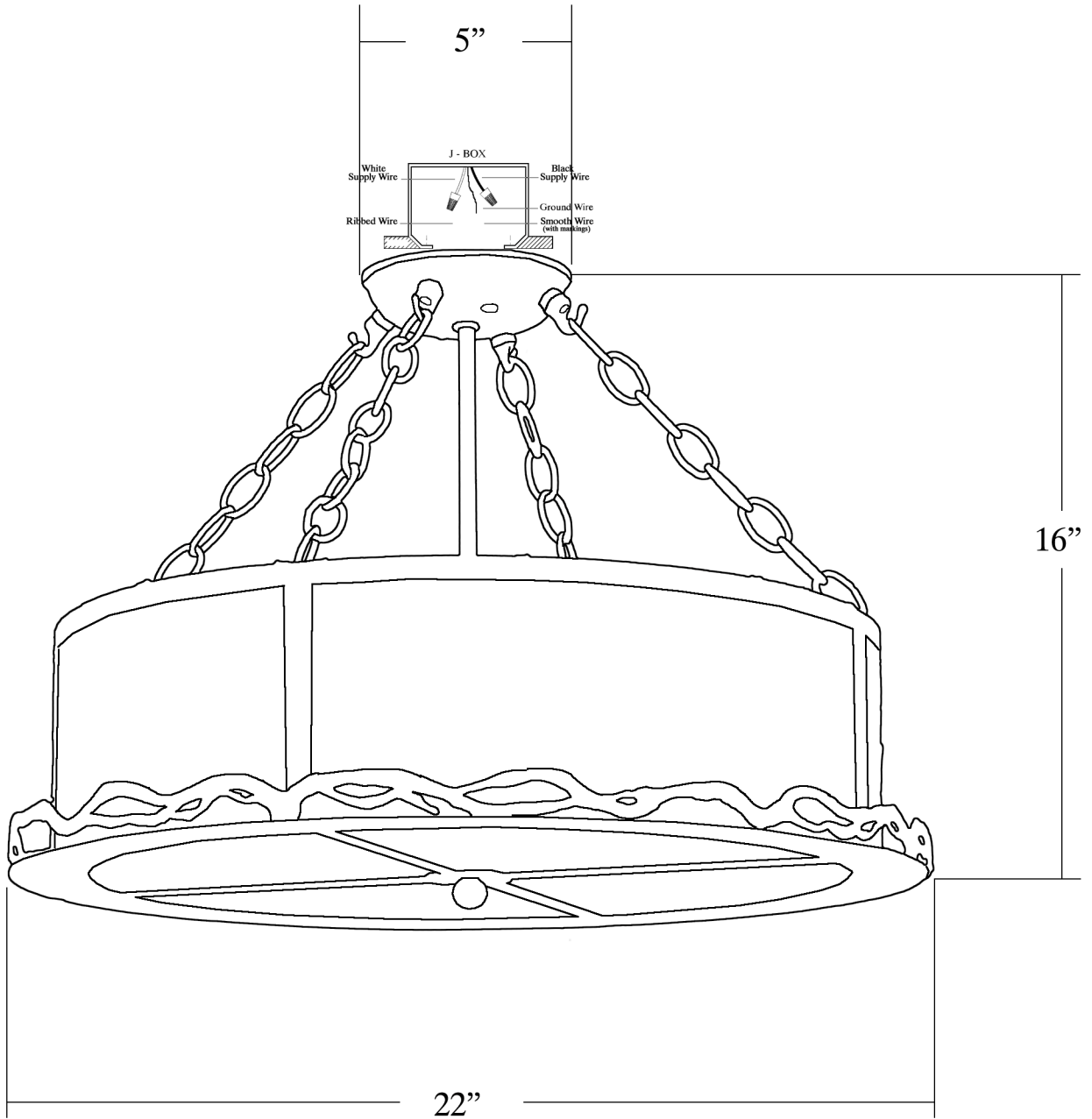


"A Commitment to Excellence in Lighting and Service"

CALL OUR CUSTOMER SERVICE DEPARTMENT AT 1-800-222-4009

MONDAY - FRIDAY 8:00 a.m. - 6:00 p.m. ET

visit us on the web at www.meyda.com



© MEYDA TIFFANY, INC. © DESIGN COPYRIGHT, MEYDA TIFFANY, INC. ALL RIGHTS RESERVED, NO UNAUTHORIZED DUPLICATION



ITEM# 29393	BULB# 3	LOCATION
DESIGN# 36465-8	TYPE MEDIUM BASE	
FIXTURE TYPE SEMI FLUSH CEILING FIXTURE	WATT 100	DIMENSIONS/NOTES
LENS/GLASS COLOR SILVER MICA	VOLTAGE 120	
FINISH RUST W/GREEN HIGHLIGHTS	MATERIAL STEEL/MICA	WEIGHT