

INSTALLATION INSTRUCTIONS

FOR ITEM 29140 HEXAGON INVERTED PENDANT

Meyda
CUSTOM LIGHTING

CAUTION: FAILURE TO INSTALL THIS FIXTURE PROPERLY MAY RESULT IN SERIOUS PERSONAL INJURY OR DEATH AND PROPERTY DAMAGE. We recommend installation by a licensed electrician. This product must be installed in accordance with applicable installation code(s), by a person familiar with the construction and operation of the product and the hazards involved.*

Caution: Do not exceed maximum wattage noted on fixture. Use only recommended bulbs with fixture.

FIXTURE COMPONENTS

- | | |
|-----------------------------------|---|
| 1. CANOPY ASSEMBLY | 5. BEIGE IRIDESCENT GLASS PANEL (QTY 6) |
| 2. STEM ASSEMBLY (QTY 6) | 6. HONEY AMBER GLASS PANEL (QTY 6) |
| 3. SHADE CROSSBAR W/LIGHT CLUSTER | 7. GLASS STRAPS-23"L (QTY 6) |
| 4. SHADE FRAME | 21.5"L (QTY 6) |
| | 7" L (QTY 6) |

Caution:

Fixture is OVERWEIGHT and not suitable for installation with standard Junction Box.

Be sure power is off at the main breaker box prior to installation.

Read all instructions in their entirety before beginning installation.

1. Carefully unpack all components and make certain that everything is accounted for.
2. Remove Hex and Acorn Nuts from Canopy Assembly to release Mounting Plate. Reserve Nuts for later use.
3. Affix Mounting Plate to ceiling ensuring that connection is suitable to hold a minimum of 85lbs.
4. Suspend Shade Frame to prepare for Glass Installation.
5. Gently Lower Beige Iridescent Glass Panels into lower Shade Frame openings. Once all lower Panels have been set into Shade Frame, secure them with 23" Glass Straps and Hex Nuts between lower Panels.
DO NOT OVER TIGHTEN NUTS.
6. Gently Lower Honey Amber Glass Panels into upper Shade Frame openings. Once all upper Panels have been set into Shade Frame, secure with 7" Glass Straps and Hex Nuts between upper Panels.
DO NOT OVER TIGHTEN NUTS.
7. Install 21.5" Glass Straps between Upper and Lower Glass Panels. **DO NOT OVER TIGHTEN NUTS.**
8. Set Shade Crossbar with Light Cluster onto Shade Frame aligning holes at ends of Crossbar with holes in Frame. Secure Crossbar to Frame with provided Button Head Screws and Acorn Nuts.
9. Feed Safety Cable through Hex Nut and Spider Washer and then up through Crossbar. Slide Check Ring onto Cable and then feed Cable through Stem Assembly. Set Assembly onto Crossbar allowing Threaded Rod to pass through it. Secure it with Spider Washer and Hex Nut.
10. Feed Lead Wire through Hex Nut and Spider Washer and then up through Crossbar. Slide Check Ring onto Wire and then feed Wire through Stem Assembly. Set Assembly onto Crossbar allowing Threaded Rod to pass through it. Secure it with Spider Washer and Hex Nut.
11. Attach remainder of Stems to Shade Crossbar by setting Check Rings onto Crossbar and passing Threaded Rods from Assemblies down through. Secure with Spider Washers and Hex Nuts.
12. Feed Safety Cable and Lead Wire through Check Rings and set them on top of Stem Assemblies. Set Check Rings onto remainder of Stems.
13. Feed Safety Cable and Lead Wire through Canopy and set Canopy on top of Stem Assemblies allowing Threaded Rods to protrude through. Secure Canopy to Stems with Spider Washers and Hex Nuts.
14. Attach Safety Cable to secure location in ceiling ensuring that connection is suitable to hold a minimum of 85lbs.
15. Following all Local Codes and Procedures, make electrical connection from Fixture Lead Wires to Supply Wires.
16. Lift Fixture up to ceiling allowing Mounting Plate Studs to pass through Canopy. Secure with Hex and Acorn Nuts.
17. Install 6 Medium Base 60Watt Bulbs(not included) into Sockets.
18. Power on and ENJOY!!!

PG 1 OF 2

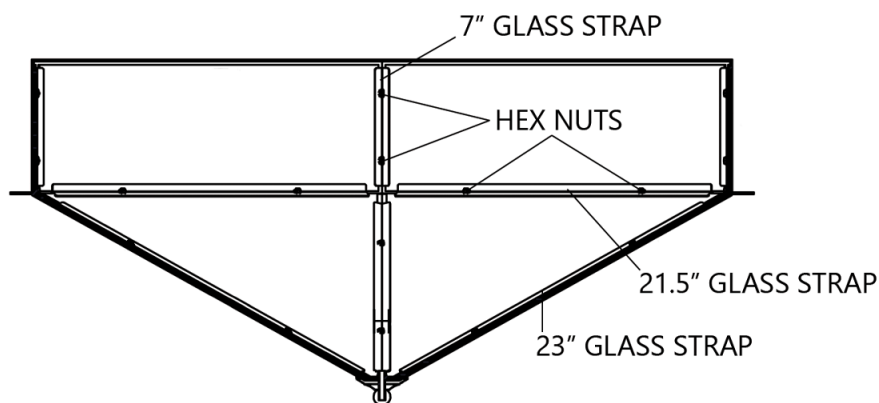
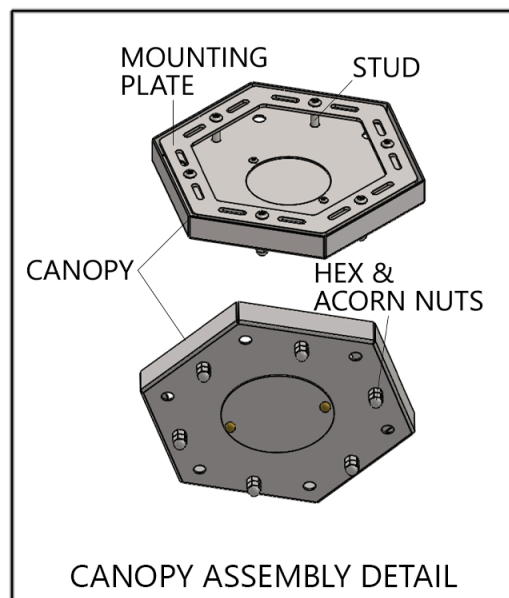
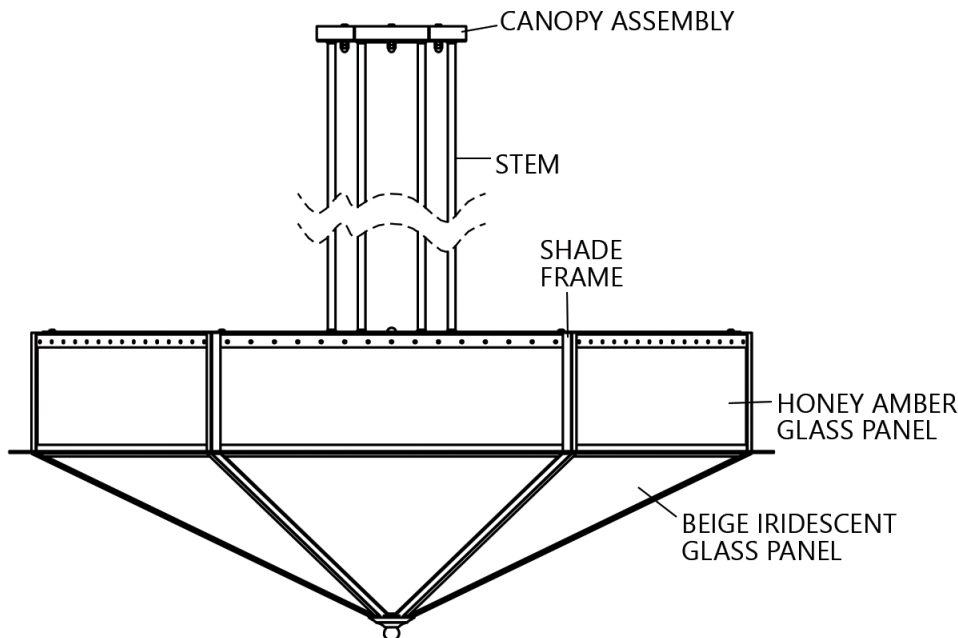
INSTALLATION INSTRUCTIONS

FOR ITEM 29140 HEXAGON INVERTED PENDANT

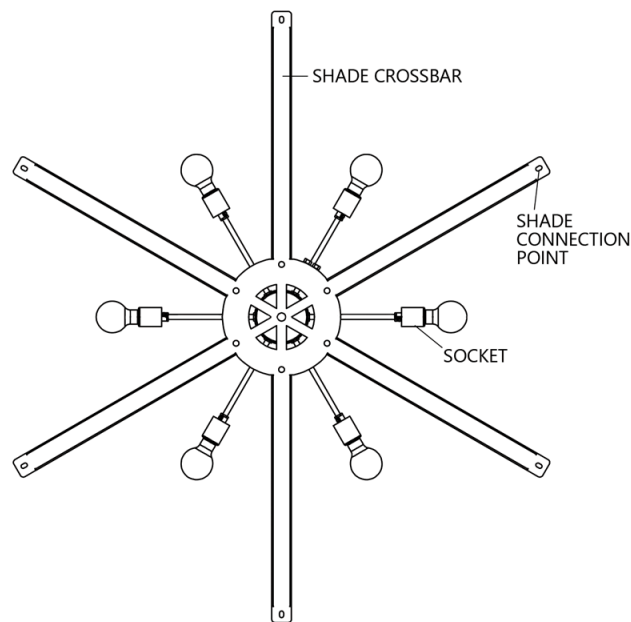
CAUTION: FAILURE TO INSTALL THIS FIXTURE PROPERLY MAY RESULT IN SERIOUS PERSONAL INJURY OR DEATH AND PROPERTY DAMAGE. We recommend installation by a licensed electrician. This product must be installed in accordance with applicable installation code(s), by a person familiar with the construction and operation of the product and the hazards involved.*
Caution: Do not exceed maximum wattage noted on fixture. Use only recommended bulbs with fixture.

Caution:

Fixture is OVERWEIGHT and not suitable for installation with standard Junction Box. Be sure power is off at the main breaker box prior to installation. Read all instructions in their entirety before beginning installation.



INSIDE SHADE DETAIL



SHADE CROSSBAR DETAIL