

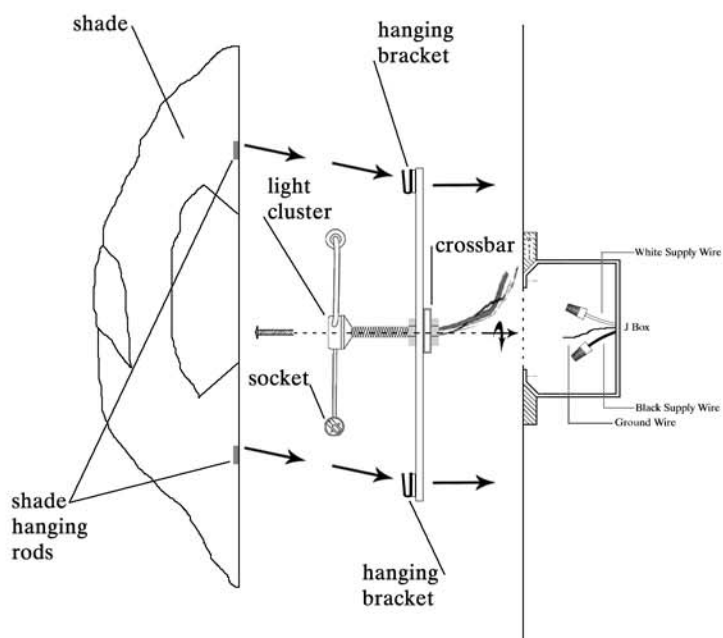
ASSEMBLY INSTRUCTIONS FOR #27572 (JSCFISH-1)

IMPORTANT

TURN OFF THE POWER AT THE MAIN FUSE OR CIRCUIT BREAKER BOX BEFORE STARTING INSTALLATION

CAREFULLY UNPACK AND IDENTIFY ALL PARTS BEFORE ASSEMBLY. BULBS ARE NOT INCLUDED

1. Screw crossbar (crossbar, hanging bracket & light cluster are one complete unit) to J box.
2. Wire as per local electrical code.
3. Place light bulbs into sockets.
4. Place shade hanging rods onto hanging bracket hooks as shown.



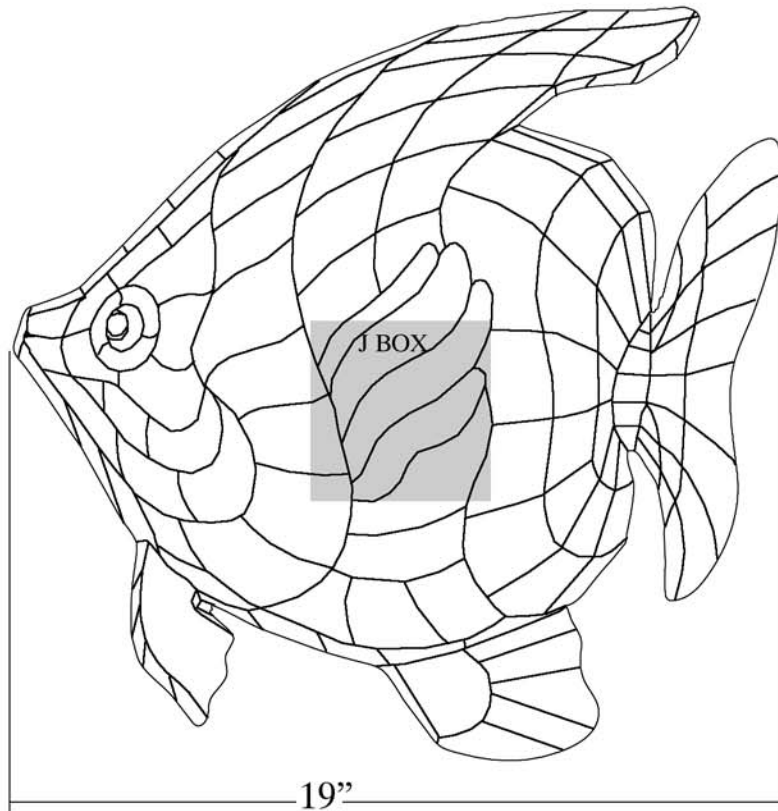
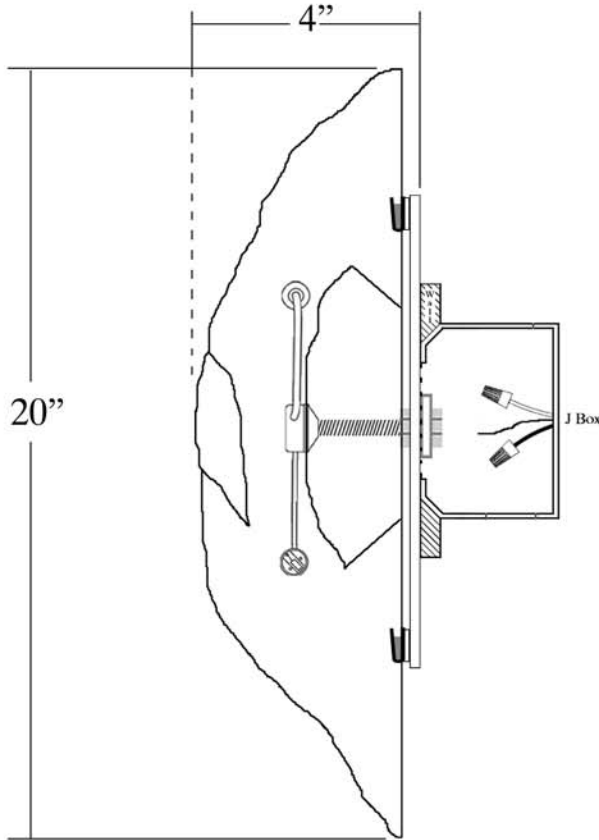
"A Commitment to Excellence in Lighting and Service"

CALL OUR CUSTOMER SERVICE DEPARTMENT AT 1-800-222-4009

MONDAY - FRIDAY 8:00 a.m. - 6:00 p.m. ET

visit us on the web at www.meyda.com

CUT SHEET, ITEM # 27572



DRAWN BY 244	WEIGHT 10LBS	DATE 12/08/10	© MEYDA TIFFANY, INC. © DESIGN COPYRIGHT, MEYDA TIFFANY, INC. ALL RIGHTS RESERVED, NO UNAUTHORIZED DUPLICATION		
VOLTAGE 120	GLASS COLOR BEIGE, HONEY, GREEN		BULB # 2	DISCRPTION JADE ANGEL FISH WALL SCNCE	
FINISH PATINA			TYPE CANDELABRA BASE	PROJECT NUMBER	
MATERIAL BRASS, STEEL, JADESTONE			WATT 25	DESIGN NUMBER JSCFISH-1	
			FIXTURE TYPE WALL SCNCE		FINAL MODEL NUMBER 27572