

INSTALLATION INSTRUCTIONS

FOR ITEM 263181 AFFETON 4 LIGHT PENDANT



CAUTION: FAILURE TO INSTALL THIS FIXTURE PROPERLY MAY RESULT IN SERIOUS PERSONAL INJURY OR DEATH AND PROPERTY DAMAGE. We recommend installation by a licensed electrician. This product must be installed in accordance with applicable installation code(s), by a person familiar with the construction and operation of the product and the hazards involved.*

Caution: Do not exceed maximum wattage noted on fixture. Use only recommended bulbs with fixture.

FIXTURE COMPONENTS

1. CANOPY ASSEMBLY
2. RING
3. LANTERN (QTY 4)
4. GLASS PANEL (QTY 16)

Caution:

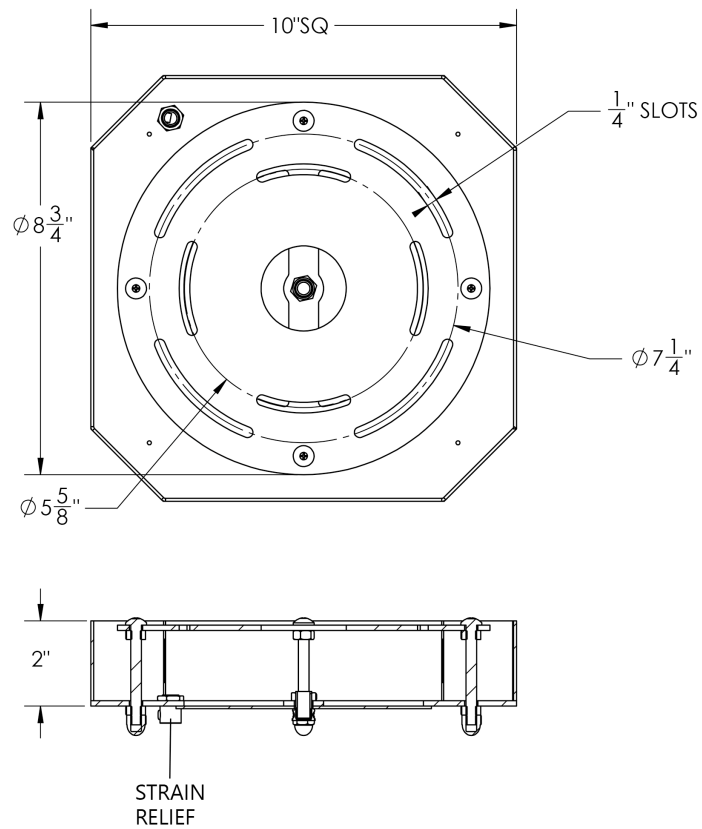
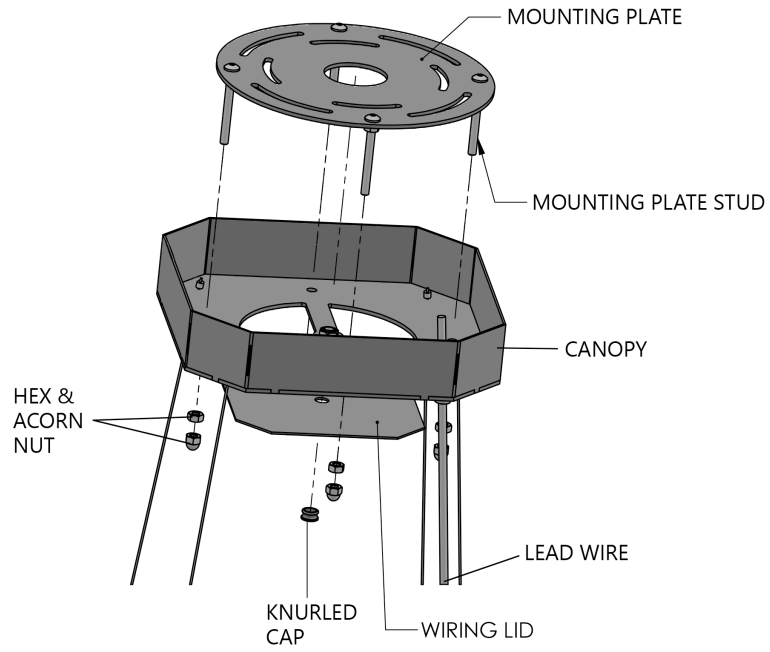
Fixture is OVERWEIGHT and not suitable for installation with standard Junction Box. Be sure power is off at the main breaker box prior to installation. Read all instructions in their entirety before beginning installation.

1. Carefully unpack all components and make certain that everything is accounted for.
2. Remove Hex and Acorn Nuts from Canopy Assembly to release Mounting Plate. Reserve Nuts for later use.
3. Affix Mounting Plate to ceiling ensuring that connection is suitable to hold a minimum of 190lbs and that Electrical Supply Wires remain accessible.
4. Make Molex Connection from Lantern to Ring and push connection into Ring.
5. Remove #8-32 X 3/8" Screws from Ring and connect Lantern to Ring and secure with Screws.
6. Follow Steps 5-6 to attach remaining Lanterns.
7. Feed Lead Wire from Ring through Strain Relief in Canopy.
8. Loosen Gripper Nuts on Ring and feed Aircraft Cables from Canopy through Grippers.
9. Lift Canopy, with Ring and Lanterns attached, up to ceiling and slide it over Mounting Plate Studs. Secure with reserved Hex and Acorn Nuts.
10. Once Hung adjust Aircraft Cables through Grippers to desired height and level. Once level, tighten Gripper Nuts and cut excess Cable if necessary.
11. Remove Knurled Cap and Wiring Lid from Canopy and, Following All Local Codes and Procedures, make Electrical Connection from Lead Wires to Supply Wires.
12. Replace Wiring Lid and secure with Knurled Cap.
13. Lift Glass Panel up into Lantern, sliding top edge of Panel into Top Glass Channel. Then lower Panel and let it rest into Bottom Glass Channel.
14. Repeat Step 12 for remaining Glass Panels.
15. Install 4-E26 60Watt Bulbs(not included) into Sockets.
16. Power on and ENJOY!!!



FABRICATION/WIRING DRAWING

REVISION:



*DIMENSIONS AND DETAILS ARE SUBJECT TO MODIFICATION DURING PRODUCTION
 © MEYDA TIFFANY INC © DESIGN COPYRIGHT, MEYDA TIFFANY, INC. ALL RIGHTS RESERVED, NO UNAUTHORIZED DUPLICATION

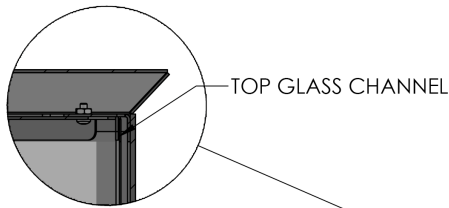
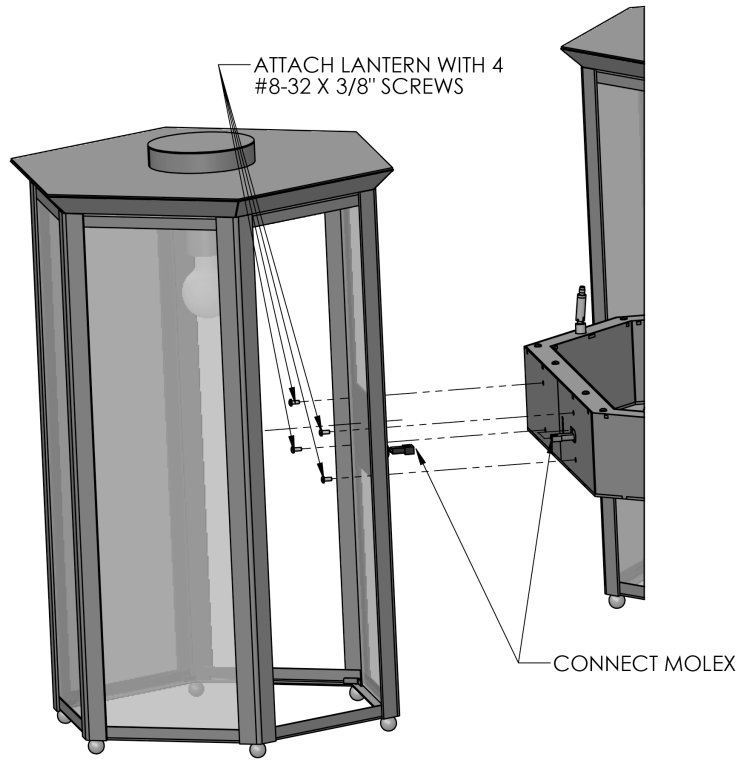


ID# (263181)	W/O#	BULB# 4 (BULBS NOT INCLUDED)	DATE: 3/6/2024
CUST. DESIGN# 206866	QTY:	TYPE: E26 A19	DRAWN BY: VK1004
FIXTURE TYPE: PENDANT		WATTS: 60	VOLTAGE: 120
LENS COLOR: 167028 CLEAR FLUTED GLASS(FROSTED IN)		TOTAL AMPS: 2	APPROVAL:
METAL FINISH: 3TRGLD TRANSPARENT GOLD (180490)		LOCATION: DAMP	EST. WEIGHT: 181.54 LBS
MATERIAL: STEEL/GLASS		NOTES:	SHEET: 2 OF 3

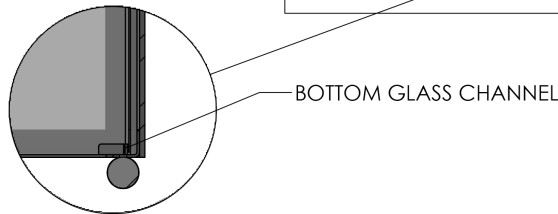
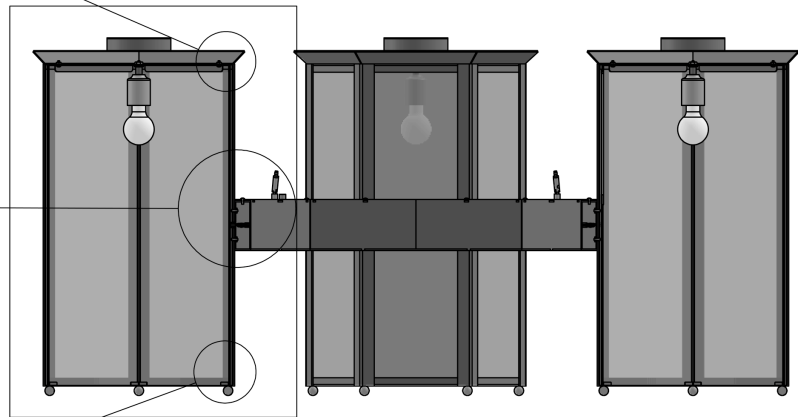
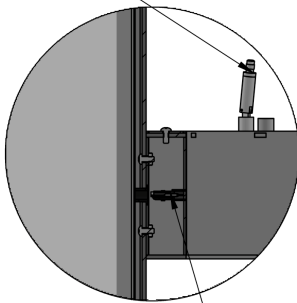


FABRICATION/WIRING DRAWING

REVISION:



GRIPPER FOR AIRCRAFT CABLE CONNECTION



*DIMENSIONS AND DETAILS ARE SUBJECT TO MODIFICATION DURING PRODUCTION
 © MEYDA TIFFANY INC © DESIGN COPYRIGHT, MEYDA TIFFANY, INC. ALL RIGHTS RESERVED, NO UNAUTHORIZED DUPLICATION



ID# (263181)	W/O#	BULB# 4 (BULBS NOT INCLUDED)	DATE: 3/6/2024
CUST. DESIGN# 206866	QTY:	TYPE: E26 A19	DRAWN BY: VK1004
FIXTURE TYPE: PENDANT	WATTS: 60	VOLTAGE: 120	SCALE: 1:24
LENS COLOR: 167028 CLEAR FLUTED GLASS(FROSTED IN)	TOTAL AMPS: 2		APPROVAL:
METAL FINISH: 3TRGLD TRANSPARENT GOLD (180490)	LOCATION: DAMP		EST. WEIGHT: 181.54 LBS
MATERIAL: STEEL/GLASS	NOTES:		SHEET: 3 OF 3