

INSTALLATION INSTRUCTIONS

FOR ITEM 260056 Corsica Chandelier



CAUTION: FAILURE TO INSTALL THIS FIXTURE PROPERLY MAY RESULT IN SERIOUS PERSONAL INJURY OR DEATH AND PROPERTY DAMAGE. We recommend installation by a licensed electrician. This product must be installed in accordance with applicable installation code(s), by a person familiar with the construction and operation of the product and the hazards involved.*

Caution: Do not exceed maximum wattage noted on fixture. Use only recommended bulbs with fixture.

FIXTURE COMPONENTS

1. CANOPY ASSEMBLY
2. CHANDELIER BODY W/LEAD WIRES AND CHAIN
3. CRYSTAL SUPPORT RINGS (44", 36", 28", 20")
4. 8" CRYSTAL (QTY 225)
5. 4" CRYSTAL (QTY 273)
6. CRYSTAL PINS

Caution:

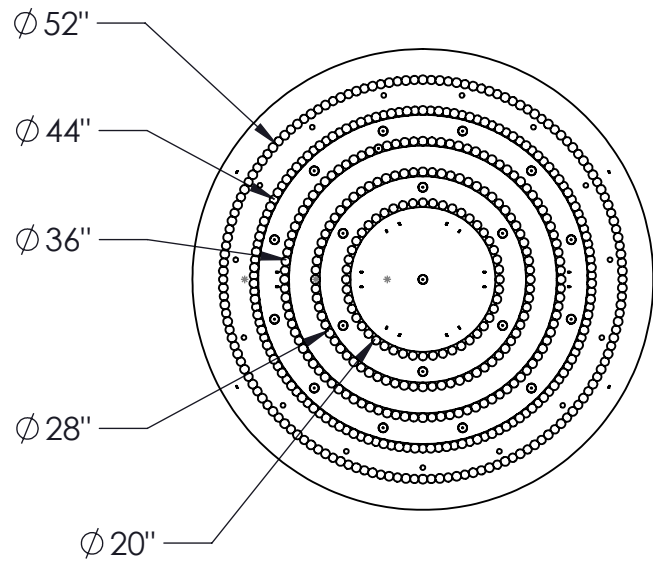
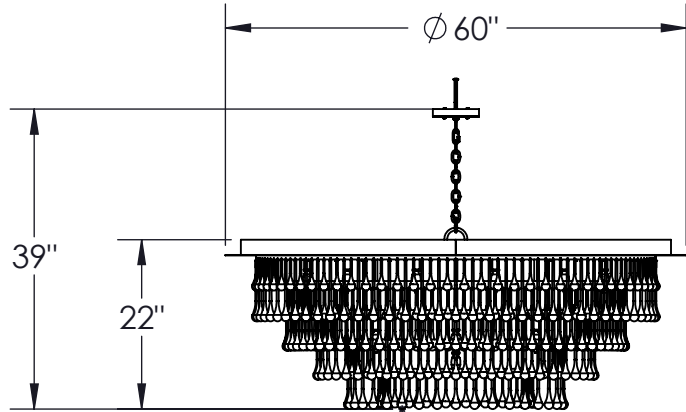
Fixture is OVERWEIGHT and not suitable for installation with standard Junction Box. Be sure power is off at the main breaker box prior to installation. Read all instructions in their entirety before beginning installation.

1. Carefully unpack all components and make certain that everything is accounted for.
2. Remove Acorn Nuts from Canopy Assembly to release Mounting Plate. Reserve Nuts for later use.
3. Affix Mounting Plate to ceiling ensuring that connection is suitable to hold a minimum of 200lbs and that Electrical Supply Wires remain accessible.
4. Feed Chain attached to Chandelier Body through Canopy.
5. Hang Chandelier Body by attaching loose end of Chain to Quick Link on Mounting Plate Loop.
6. Weave Fixture Lead Wires through every 3rd Link of Chain.
7. Slide Canopy up Chain and feed Lead Wire through satellite hole in Canopy.
8. Following All Local Codes and Procedures, make Electrical Connection from Fixture Lead Wires to Supply Wires.
9. Slide Canopy over Mounting Plate and secure with reserved Acorn Nuts.
10. Loosen Cable Grippers on Canopy and hang Crystal Support Rings by feeding Aircraft Cables from Rings into Grippers.
- 44" Ring hangs from outer most Grippers and should be leveled w/ 2.75" from Canopy to top of Ring.
- 36" Ring hangs from next set of Grippers and should be leveled w/ 7.125" from Canopy to top of Ring.
- 28" Ring hangs from next set of Grippers and should be leveled w/10.875" from Canopy to top of Ring.
- 20" Ring hangs from inner most set Grippers and should be leveled w/14.75" from Canopy to top of Ring.
11. Once all support Rings have been leveled, tighten Cable Grippers on Canopy.
12. Install 19 E12 7Watt LED Bulbs(not included) into Sockets.
13. Dress Fixture starting with 20" Ring. Feed Crystal Pins through holes in 4" Crystals and then through holes in Ring. Bend Pin to secure Crystal.
14. Dress 28" Ring alternating 8" and 4" Crystals.
15. Dress 36" Ring alternating 8" and 4" Crystals.
16. Dress 44" Ring alternating 8" and 4" Crystals.
17. Dress 52" Ring alternating 8" and 4" Crystals.
18. Power on and ENJOY!!!



INSTALLATION INSTRUCTIONS

REVISION:



***DIMENSIONS AND DETAILS ARE SUBJECT TO MODIFICATION DURING PRODUCTION**

© MEYDA TIFFANY INC © DESIGN COPYRIGHT, MEYDA TIFFANY, INC. ALL RIGHTS RESERVED, NO UNAUTHORIZED DUPLICATION



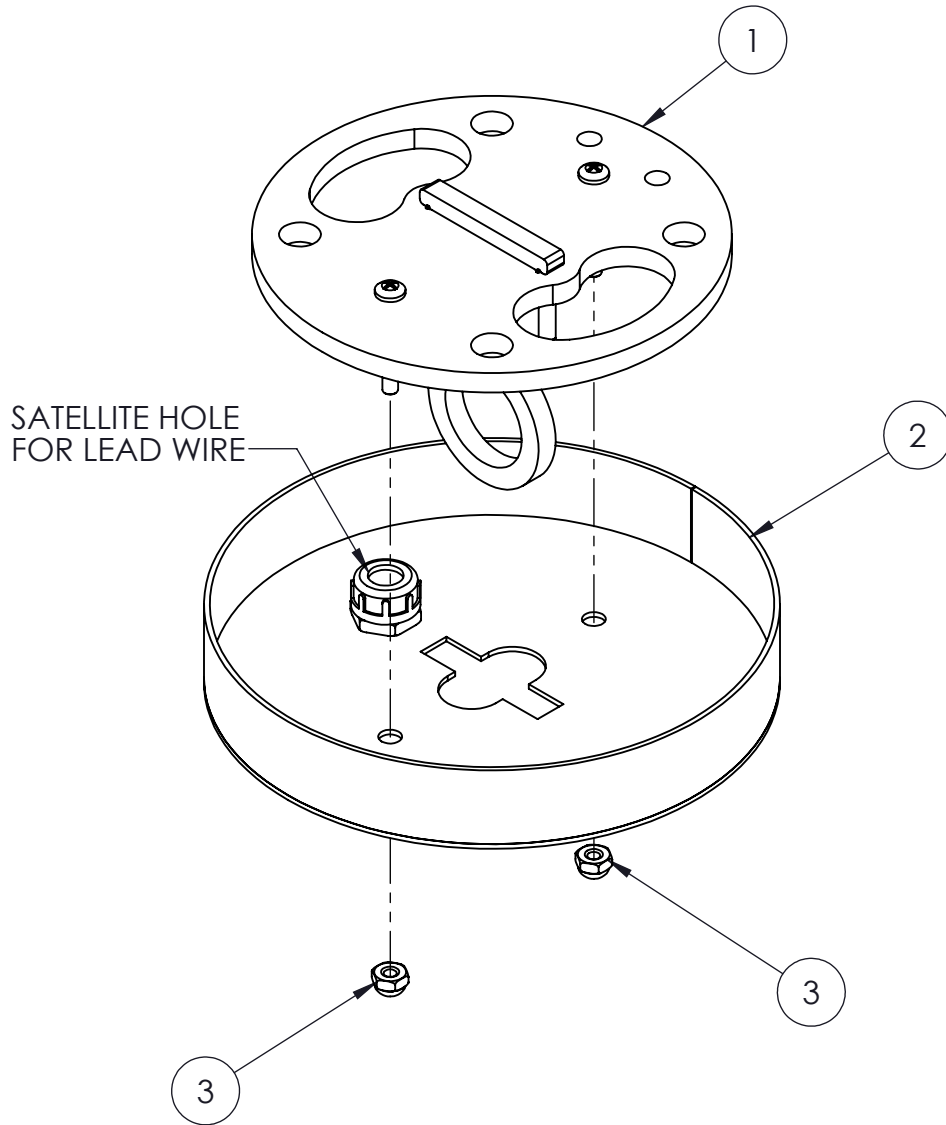
ID# 200382-1510B-2(260056)	W/O# 7298661	BULB# 19 <small>(BULBS NOT INCLUDED)</small>	DATE:5/10/2023
CUST. DESIGN#TYPE C	QTY: 6	TYPE: E12 B9 LED 2700K	DRAWN BY:MZ 985
FIXTURE TYPE: FLUSH MOUNT	WATTS:7	VOLTAGE:120	SCALE: 1:25
LENS COLOR:Crystal	TOTAL AMPS: 1.108333	APPROVAL:	
METAL FINISH:3GMNK GOLD MATTE OVER NICKEL (201665) / 3SPKSIL SPARKLE SILVER (106415)	LOCATION: DAMP	EST. WEIGHT: 173.57 LBS	
MATERIAL:STEEL/ CRYSTAL	NOTES:	SHEET: 1 OF 8	



INSTALLATION INSTRUCTIONS

REVISION:

ITEM NO.	DESCRIPTION	QTY.
1	MOUNTING PLATE	1
2	CANOPY PAN	1
3	ACORN NUT	2

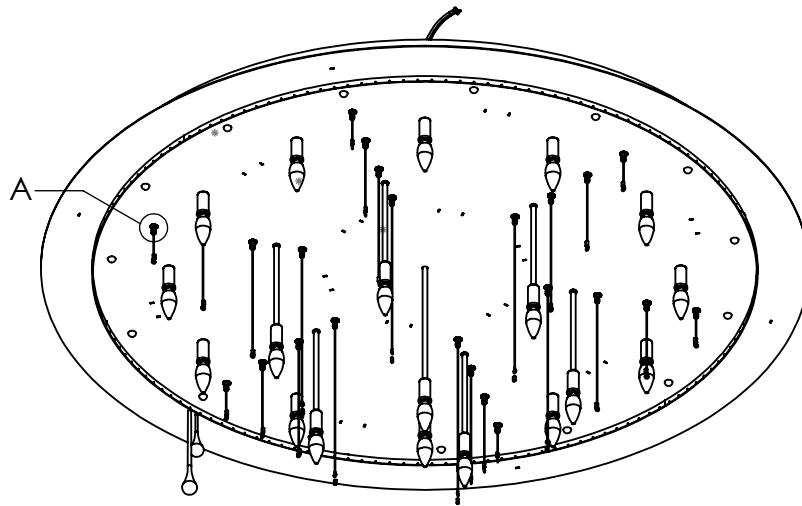


*DIMENSIONS AND DETAILS ARE SUBJECT TO MODIFICATION DURING PRODUCTION
 © MEYDA TIFFANY INC © DESIGN COPYRIGHT, MEYDA TIFFANY, INC. ALL RIGHTS RESERVED, NO UNAUTHORIZED DUPLICATION

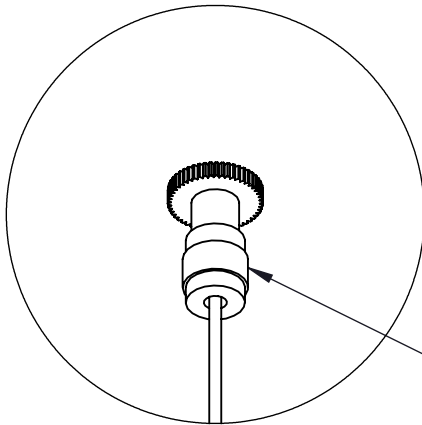


ID# 200382-1510B-2(260056)	W/O# 7298661	BULB# 19 (BULBS NOT INCLUDED)	DATE:5/10/2023
CUST. DESIGN#TYPE C	QTY: 6	TYPE: E12 B9 LED 2700K	DRAWN BY:MZ 985
FIXTURE TYPE: FLUSH MOUNT	WATTS:7	VOLTAGE:120	SCALE: 1:2
LENS COLOR:Crystal	TOTAL AMPS: 1.108333	APPROVAL:	
METAL FINISH:3GMNK GOLD MATTE OVER NICKEL (201665) / 3SPKSIL SPARKLE SILVER (106415)	LOCATION: DAMP	EST. WEIGHT: 173.57 LBS	
MATERIAL:STEEL/ CRYSTAL	NOTES:	SHEET: 2 OF 8	

CHANDELIER BODY



BOTTOM VIEW OF CHANDELIER BODY



DETAIL A
SCALE 1 : 1

FEED GALVANIZED AIRCRAFT CABLE THROUGH CABLE GRIPPER



*DIMENSIONS AND DETAILS ARE SUBJECT TO MODIFICATION DURING PRODUCTION
© MEYDA TIFFANY INC © DESIGN COPYRIGHT, MEYDA TIFFANY, INC. ALL RIGHTS RESERVED, NO UNAUTHORIZED DUPLICATION



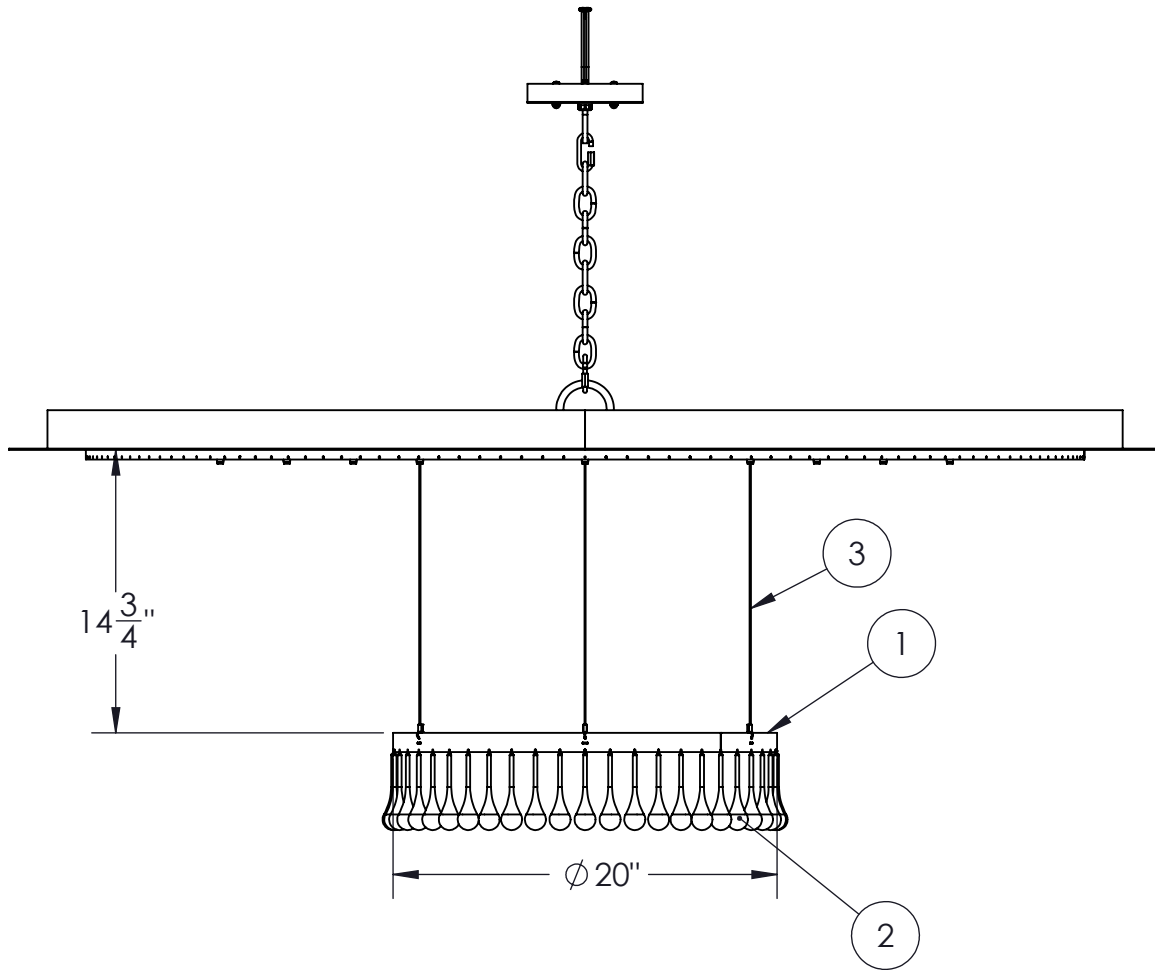
ID# 200382-1510B-2(260056)	W/O# 7298661	BULB# 19 (BULBS NOT INCLUDED)	DATE:5/10/2023
CUST. DESIGN#TYPE C	QTY: 6	TYPE: E12 B9 LED 2700K	DRAWN BY:MZ 985
FIXTURE TYPE: FLUSH MOUNT	WATTS:7	VOLTAGE:120	SCALE: 1:15
LENS COLOR:Crystal	TOTAL AMPS: 1.108333	APPROVAL:	
METAL FINISH:3GMNK GOLD MATTE OVER NICKEL (201665) / 3SPKSIL SPARKLE SILVER (106415)	LOCATION: DAMP	EST. WEIGHT: 173.57 LBS	
MATERIAL:STEEL/ CRYSTAL	NOTES:	SHEET: 8 OF 8	



INSTALLATION INSTRUCTIONS

REVISION:

ITEM NO.	DESCRIPTION	QTY.
1	20" RING	1
2	4" CRYSTAL	49
3	GALVANIZED AIRCRAFT CABLE	6



*DIMENSIONS AND DETAILS ARE SUBJECT TO MODIFICATION DURING PRODUCTION
 © MEYDA TIFFANY INC © DESIGN COPYRIGHT, MEYDA TIFFANY, INC. ALL RIGHTS RESERVED, NO UNAUTHORIZED DUPLICATION



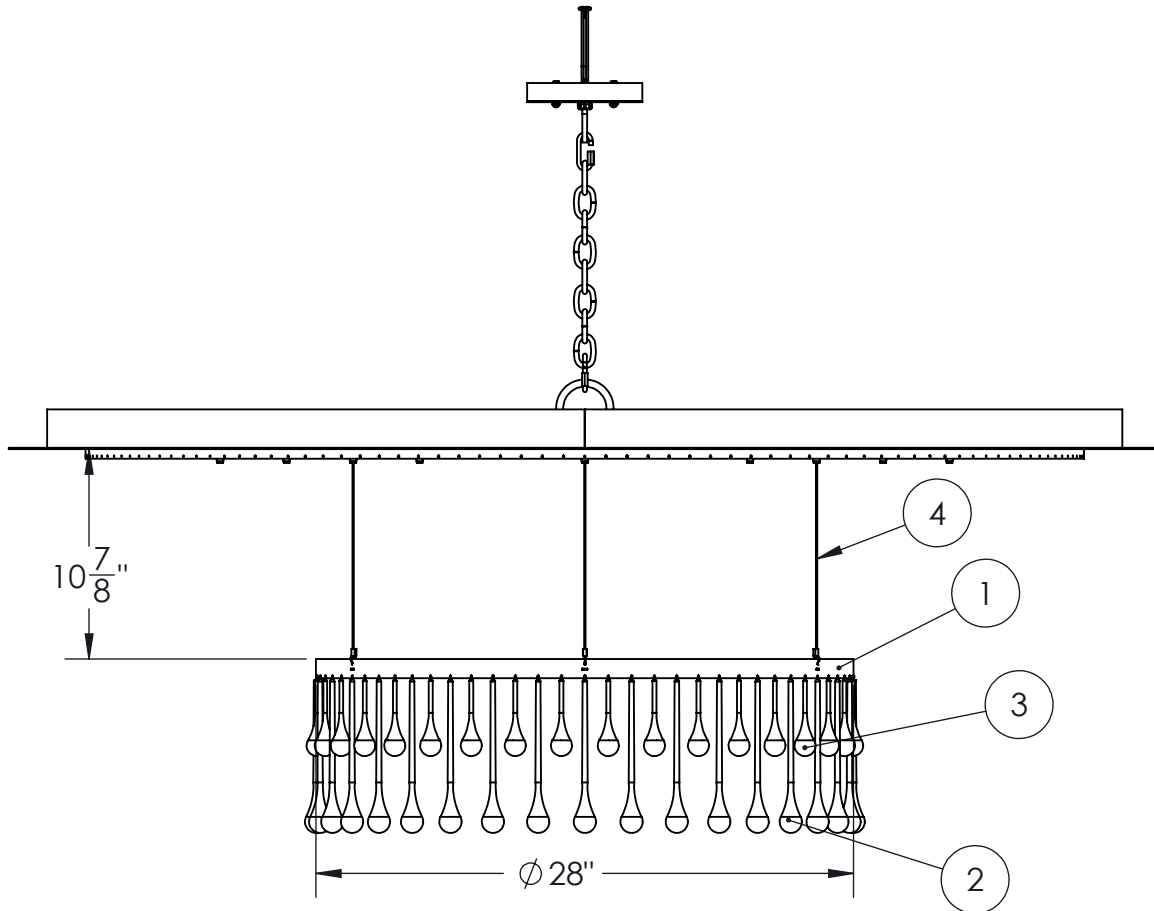
ID# 200382-1510B-2(260056)	W/O# 7298661	BULB# 19 (BULBS NOT INCLUDED)	DATE:5/10/2023
CUST. DESIGN#TYPE C	QTY: 6	TYPE: E12 B9 LED 2700K	DRAWN BY:MZ 985
FIXTURE TYPE: FLUSH MOUNT	WATTS:7	VOLTAGE:120	SCALE: 1:10
LENS COLOR:Crystal	TOTAL AMPS: 1.108333	APPROVAL:	
METAL FINISH:3GMNK GOLD MATTE OVER NICKEL (201665) / 3SPKSIL SPARKLE SILVER (106415)	LOCATION: DAMP	EST. WEIGHT: 173.57 LBS	
MATERIAL:STEEL/ CRYSTAL	NOTES:	SHEET: 3 OF 8	



INSTALLATION INSTRUCTIONS

REVISION:

ITEM NO.	DESCRIPTION	QTY.
1	28" RING	1
2	8" CRYSTAL	37
3	4" CRYSTAL	37
4	GALVANIZED AIRCRAFT CABLE	6



*DIMENSIONS AND DETAILS ARE SUBJECT TO MODIFICATION DURING PRODUCTION
 © MEYDA TIFFANY INC © DESIGN COPYRIGHT, MEYDA TIFFANY, INC. ALL RIGHTS RESERVED, NO UNAUTHORIZED DUPLICATION



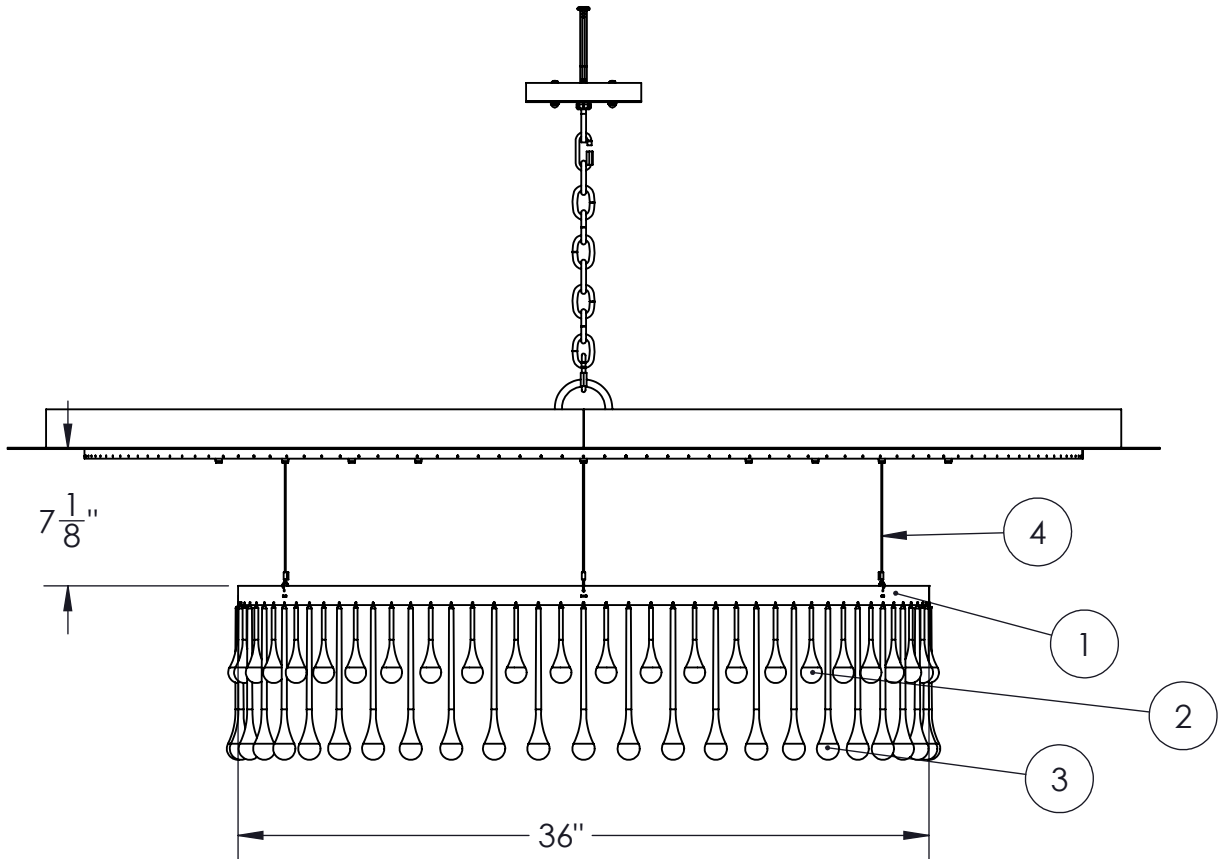
ID# 200382-1510B-2(260056)	W/O# 7298661	BULB# 19 (BULBS NOT INCLUDED)	DATE:5/10/2023
CUST. DESIGN#TYPE C	QTY: 6	TYPE: E12 B9 LED 2700K	DRAWN BY:MZ 985
FIXTURE TYPE: FLUSH MOUNT	WATTS:7	VOLTAGE:120	SCALE: 1:10
LENS COLOR:Crystal	TOTAL AMPS: 1.108333	APPROVAL:	
METAL FINISH:3GMNK GOLD MATTE OVER NICKEL (201665) / 3SPKSIL SPARKLE SILVER (106415)	LOCATION: DAMP	EST. WEIGHT: 173.57 LBS	
MATERIAL:STEEL/ CRYSTAL	NOTES:	SHEET: 4 OF 8	



INSTALLATION INSTRUCTIONS

REVISION:

PRODUCT CODE	DESCRIPTION	QTY.
--65324	36" RING	2
--101330	4" CRYSTAL	49
--3956	8" CRYSTAL	49
--1995	GALVANIZED AIRCRAFT CABLE	6



***DIMENSIONS AND DETAILS ARE SUBJECT TO MODIFICATION DURING PRODUCTION**

© MEYDA TIFFANY INC © DESIGN COPYRIGHT, MEYDA TIFFANY, INC. ALL RIGHTS RESERVED, NO UNAUTHORIZED DUPLICATION



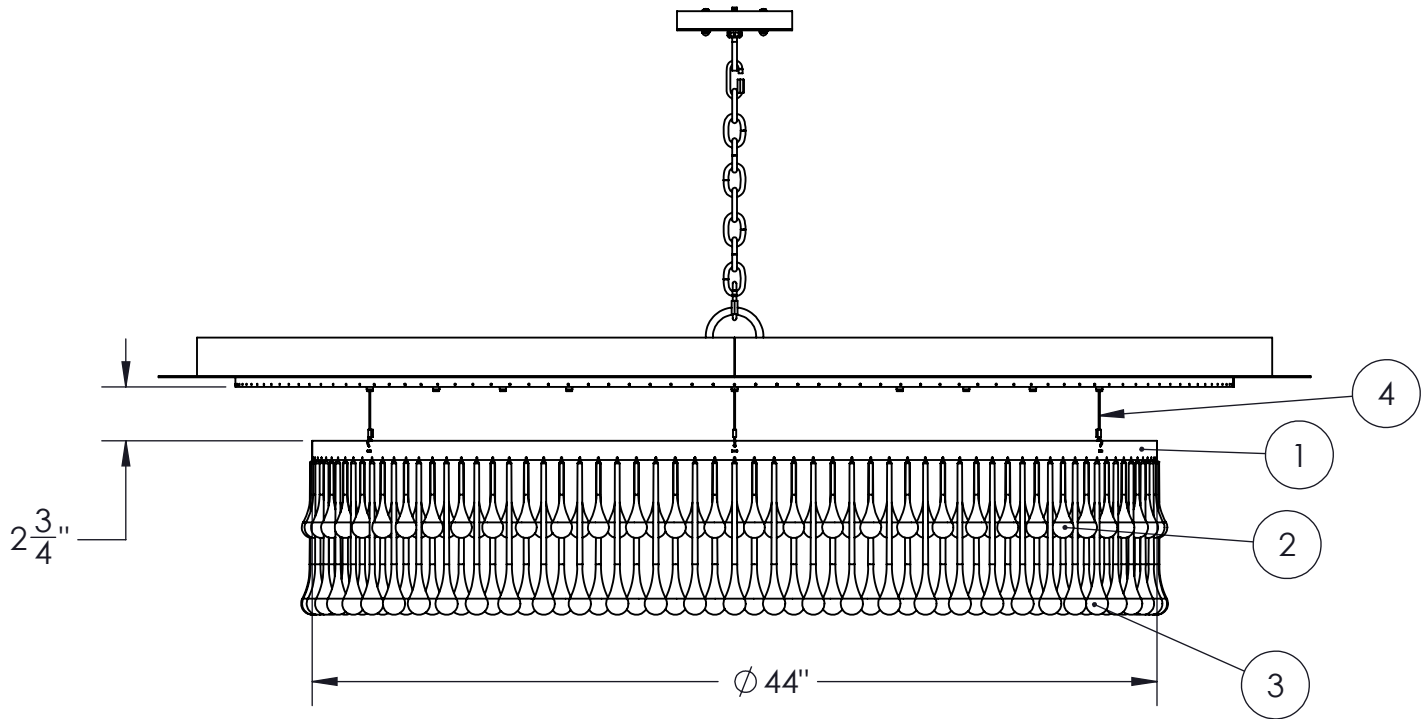
ID# 200382-1510B-2(260056)	W/O# 7298661	BULB# 19 (BULBS NOT INCLUDED)	DATE:5/10/2023
CUST. DESIGN#TYPE C	QTY: 6	TYPE: E12 B9 LED 2700K	DRAWN BY:MZ 985
FIXTURE TYPE: FLUSH MOUNT	WATTS:7	VOLTAGE:120	SCALE: 1:10
LENS COLOR:Crystal	TOTAL AMPS: 1.108333		APPROVAL:
METAL FINISH:3GMNK GOLD MATTE OVER NICKEL (201665) / 3SPKSIL SPARKLE SILVER (106415)	LOCATION: DAMP		EST. WEIGHT: 173.57 LBS
MATERIAL:STEEL/ CRYSTAL	NOTES:		SHEET: 5 OF 8



INSTALLATION INSTRUCTIONS

REVISION:

ITEM NO.	PRODUCT CODE	DESCRIPTION	QTY.
1	--65323	44" RING	2
2	--101330	4" CRYSTAL	68
3	--3956	8" CRYSTAL	68
4	--1995	GALVANIZED AIRCRAFT CABLE	6



*DIMENSIONS AND DETAILS ARE SUBJECT TO MODIFICATION DURING PRODUCTION
 © MEYDA TIFFANY INC © DESIGN COPYRIGHT, MEYDA TIFFANY, INC. ALL RIGHTS RESERVED, NO UNAUTHORIZED DUPLICATION



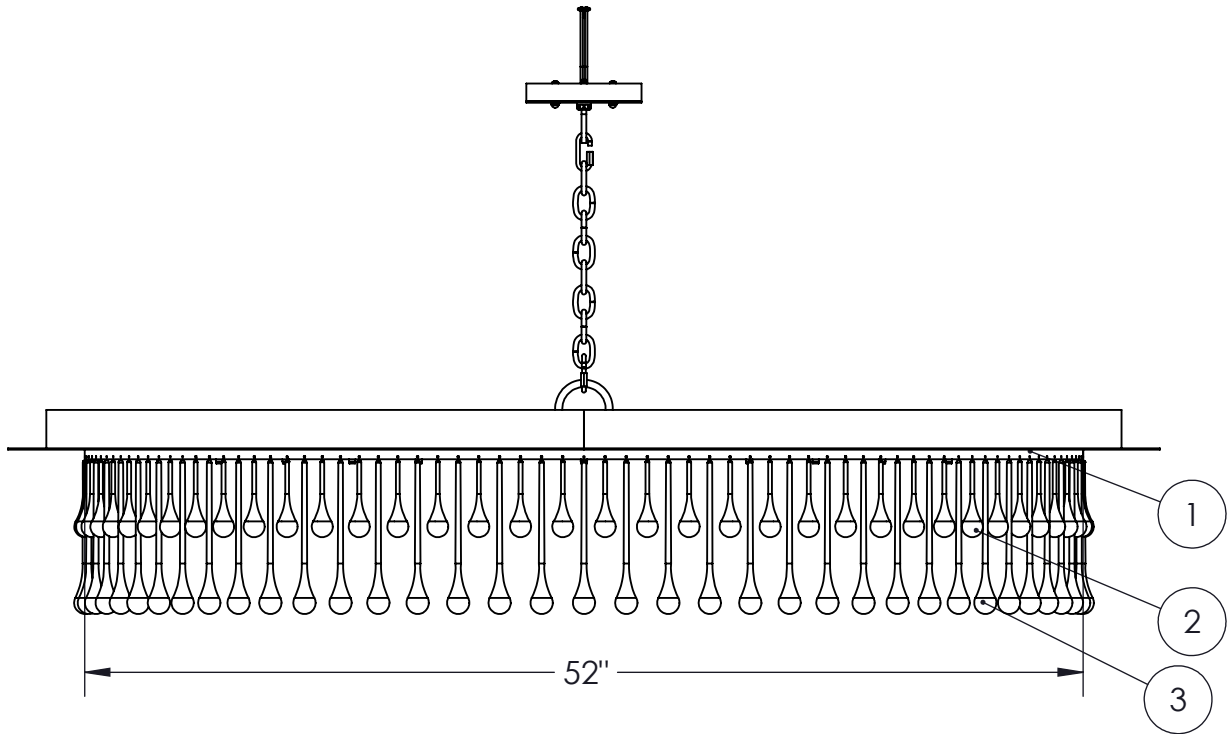
ID# 200382-1510B-2(260056)	W/O# 7298661	BULB# 19 (BULBS NOT INCLUDED)	DATE:5/10/2023
CUST. DESIGN#TYPE C	QTY: 6	TYPE: E12 B9 LED 2700K	DRAWN BY:MZ 985
FIXTURE TYPE: FLUSH MOUNT	WATTS:7	VOLTAGE:120	SCALE: 1:10
LENS COLOR:Crystal	TOTAL AMPS: 1.108333	APPROVAL:	
METAL FINISH:3GMNK GOLD MATTE OVER NICKEL (201665) / 3SPKSIL SPARKLE SILVER (106415)	LOCATION: DAMP	EST. WEIGHT:173.57 LBS	
MATERIAL:STEEL/ CRYSTAL	NOTES:	SHEET: 6 OF 8	



INSTALLATION INSTRUCTIONS

REVISION:

ITEM NO.	DESCRIPTION	QTY.
1	52" RING	2
2	4" CRYSTAL	74
3	8" CRYSTAL	74



*DIMENSIONS AND DETAILS ARE SUBJECT TO MODIFICATION DURING PRODUCTION
 © MEYDA TIFFANY INC © DESIGN COPYRIGHT, MEYDA TIFFANY, INC. ALL RIGHTS RESERVED, NO UNAUTHORIZED DUPLICATION



ID# 200382-1510B-2(260056)	W/O# 7298661	BULB# 19 (BULBS NOT INCLUDED)	DATE:5/10/2023
CUST. DESIGN#TYPE C	QTY: 6	TYPE: E12 B9 LED 2700K	DRAWN BY:MZ 985
FIXTURE TYPE: FLUSH MOUNT	WATTS:7	VOLTAGE:120	SCALE: 1:10
LENS COLOR:Crystal	TOTAL AMPS: 1.108333	APPROVAL:	
METAL FINISH:3GMNK GOLD MATTE OVER NICKEL (201665) / 3SPKSIL SPARKLE SILVER (106415)	LOCATION: DAMP	EST. WEIGHT:173.57 LBS	
MATERIAL:STEEL/ CRYSTAL	NOTES:	SHEET: 7 OF 8	