

INSTALLATION INSTRUCTIONS

FOR ITEM 250525 WHISPERING PINES WALL SCONCE

Meyda
CUSTOM LIGHTING

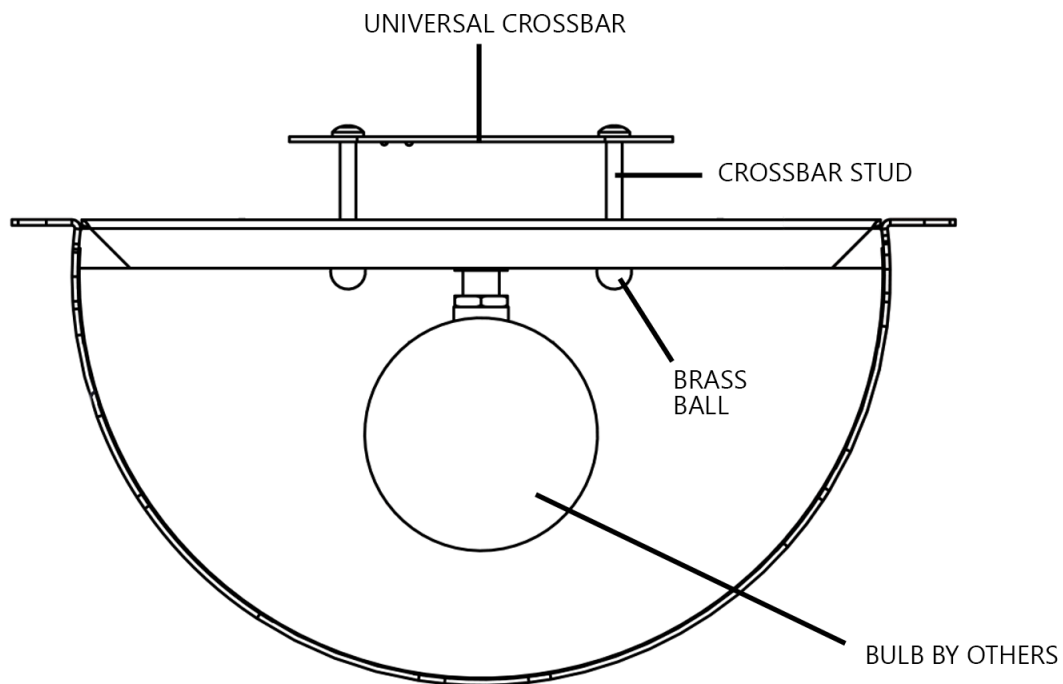
CAUTION: FAILURE TO INSTALL THIS FIXTURE PROPERLY MAY RESULT IN SERIOUS PERSONAL INJURY OR DEATH AND PROPERTY DAMAGE. We recommend installation by a licensed electrician. This product must be installed in accordance with applicable installation code(s), by a person familiar with the construction and operation of the product and the hazards involved.*

Caution: Do not exceed maximum wattage noted on fixture. Use only recommended bulbs with fixture.

Caution:

***Be sure power is off at the main breaker box prior to installation.
Read all instructions in their entirety before beginning installation.***

1. Carefully unpack all components and make certain that everything is accounted for.
2. Remove Brass Balls from Sconce interior to release Universal Crossbar with Studs. Reserve Balls for later use.
3. Using Customer Supplied Fasteners, affix Crossbar to Junction Box ensuring connection is suitable to hold 10lbs and that Electrical Supply Wires remain accessible.
4. Following all Local Codes and Procedures, make connection from Sconce Lead Wires to Supply Wires.
5. Slide Sconce onto Crossbar Studs and secure with reserved Brass Balls.
6. Install 2-E26 60Watt Bulbs(not included) into Sockets.
7. Power on and ENJOY!!!



TOP VIEW