

INSTALLATION INSTRUCTIONS

FOR ITEM 22923 Duck Thru The Reeds Wall Sconce

Meyda
CUSTOM LIGHTING

CAUTION: FAILURE TO INSTALL THIS FIXTURE PROPERLY MAY RESULT IN SERIOUS PERSONAL INJURY OR DEATH AND PROPERTY DAMAGE. We recommend installation by a licensed electrician. This product must be installed in accordance with applicable installation code(s), by a person familiar with the construction and operation of the product and the hazards involved.*

Caution: Do not exceed maximum wattage noted on fixture. Use only recommended bulbs with fixture.

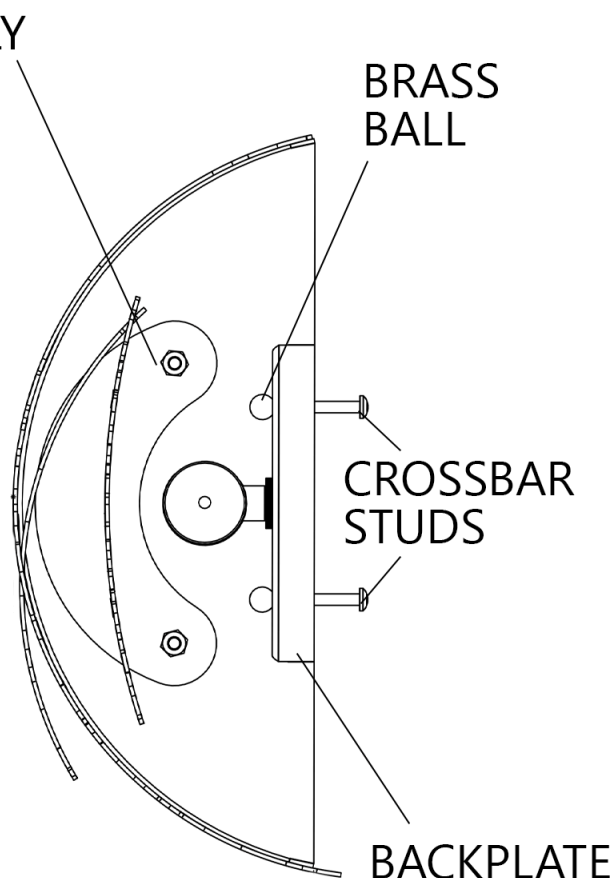
Caution:

***Be sure power is off at the main breaker box prior to installation.
Read all instructions in their entirety before beginning installation.***

1. Carefully unpack all components and make certain that everything is accounted for.
2. Lift Cattail Assembly from inside Sconce and set aside.
3. Remove Brass Balls from Backplate to release Crossbar w/ Studs. Reserve Balls for later use.
4. Affix Crossbar to Junction Box ensuring that Electrical Supply Wires remain accessible.
5. Following All Local Codes and Procedures, make electrical connection from Lead Wires to Supply Wires.
6. Slide Sconce onto Crossbar Studs and secure with reserved Brass Balls.
7. Install 1-E12 60Watt Bulb(not included) into Socket.
8. Replace Cattail Assembly inside Sconce.
9. Power on and ENJOY!!!



FRONT ELEVATION



TOP VIEW