

INSTALLATION INSTRUCTIONS

FOR ITEM 226528 BECKAM CHANDELIER



CAUTION: FAILURE TO INSTALL THIS FIXTURE PROPERLY MAY RESULT IN SERIOUS PERSONAL INJURY OR DEATH AND PROPERTY DAMAGE. We recommend installation by a licensed electrician. This product must be installed in accordance with applicable installation code(s), by a person familiar with the construction and operation of the product and the hazards involved.*

Caution: Do not exceed maximum wattage noted on fixture. Use only recommended bulbs with fixture.

FIXTURE COMPONENTS

- | | |
|--|---|
| 1. CANOPY ASSEMBLY | 8. BOTTOM RING |
| 2. DOWN ROD | 9. DIFFUSER STEM |
| 3. TOP RING-HEX & ACORN NUTS-SAFETY CABLE | 10. ACRYLIC DIFFUSER |
| 4. LIGHT CLUSTER ASSEMBLY-HEX & ACORN NUTS | 11. FINIAL |
| 5. 10" STEM ASSEMBLY (QTY 4) | 12. 10"W x 12"H CRYSTAL PANEL (QTY 22) |
| 6. MIDDLE RING | 13. PANEL ATTACHMENT HARDWARE |
| 7. 22" STEM ASSEMBLY (QTY 4) | 14. 3/4" X 14" CRYSTAL BAGUETTE (QTY 296) |

Caution:

Fixture is OVERWEIGHT and not suitable for installation with standard Junction Box. Be sure power is off at the main breaker box prior to installation. Read all instructions in their entirety before beginning installation.

- Carefully unpack all components and make certain that everything is accounted for.
- Remove Brass Balls from Canopy Assembly to release Mounting Saddle. Reserve Brass Balls for later use.
- Affix Mounting Saddle to ceiling USING CUSTOMER SUPPLIED FASTENERS ensuring that connection is suitable to hold a minimum of 350lbs and that Electrical Supply Wires remain accessible.
- Remove Hex & Acorn Nuts from Studs of top of Light Cluster Assembly. Reserve Nuts for later use.
- Feed Safety Cable up through central hole in Top Ring and lift Light Cluster Assembly up feeding Lead Wires through central hole and Studs to pass through outer holes. To ensure proper Light Cluster attachment, ensure to align notch in Cluster Plate with tab on Top Ring. Secure Cluster to Top Ring with reserved Hex and Acorn Nuts.
- Feed Lead Wires and Safety Cable through Down Rod.
- IF LESSER DROP FROM CEILING IS DESIRED, PRIOR TO FEEDING CABLE AND WIRE THROUGH, CUT LENGTH FROM TOP OF DOWN ROD AND DRILL 1/4" CHANNEL THROUGH ROD 1/2" FROM CUT END**
- Remove Hex and Acorn Nuts from Top Ring Studs and set Down Rod Flange onto Top Ring allowing Studs to pass through. Secure with Hex and Acorn Nuts.
- Slide Canopy Slot Cover, Canopy, and Steel Half Ball over Wire, Cable, and Rod, then insert Roll Pin through channel at top of Rod.
- Slide Half Ball up to Roll Pin allowing Pin to seat into ditch. Temporarily hold ball in place by wrapping Welded Wire over Pin.
- Lift Chandelier up to Ceiling and seat Steel Half Ball into Mounting Saddle.
- Attach Safety Cable to secure location ensuring that connection is suitable to hold a minimum of 350lbs.
- Following all Local Codes and Procedures, make Electrical Connection from Fixture Lead Wires to Supply Wires.
- Slide Canopy and Canopy Slot cover up to ceiling allowing Mounting Saddle Studs to pass through them. Secure with reserved Brass Balls.
- Disassemble 10" Stem Assembly leaving only Half Ball connected.
- Drop 10" Threaded Rods down through Outer Holes in Top Ring resulting in Half Ball remaining on top.
- Slide Check Ring, 8.5" Conduit, and Check Ring onto Threaded Rods and lift Middle Ring up allowing excess threads to pass through holes in Middle Ring. Secure with Spider Washers and Hex Nuts.
- Disassemble 22" Stem Assembly leaving only Half Ball connected.
- Drop 22" Threaded Rods down through Inner Holes in Top Ring resulting in Half Ball remaining on top.
- Slide Check Ring, 20.5" Conduit, and Check Ring onto Threaded Rods and lift Bottom Ring up allowing excess threads to pass through holes in Bottom Ring. Secure with Spider Washers and Hex Nuts.
- Install 27 Medium Base 40Watt Bulbs(not included) into Sockets.
- Screw exposed Threads from Diffuser Stem into Coupling at bottom of Light Cluster.
- Slide Acrylic Diffuser onto Stem and secure with Finial.
- Hang 14" Crystal Baguettes from Slots in bottom 2 Rings of Chandelier Body by slightly opening Wire Hanger and looping them through Slots.
- Assemble Hardware and attach Crystal Panels to top Ring of Chandelier Body. (See Page 3)
- Power on and ENJOY!!!

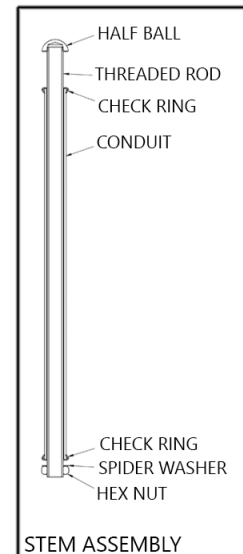
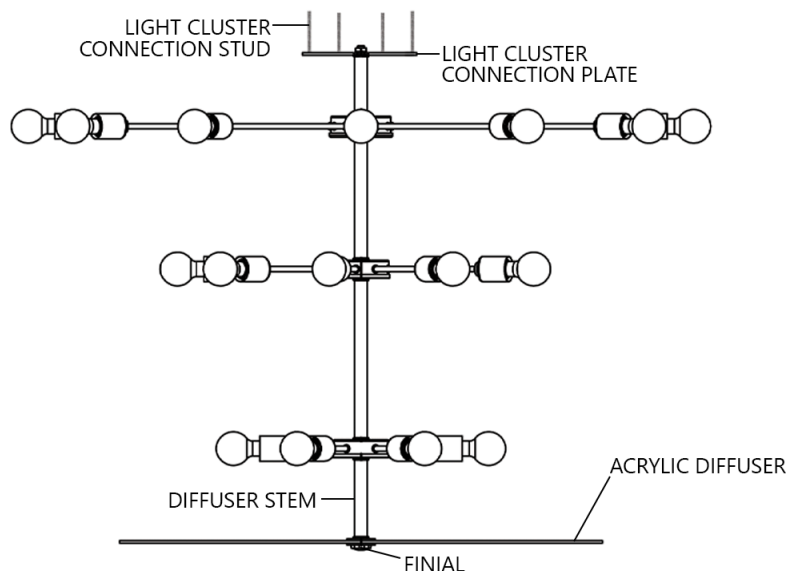
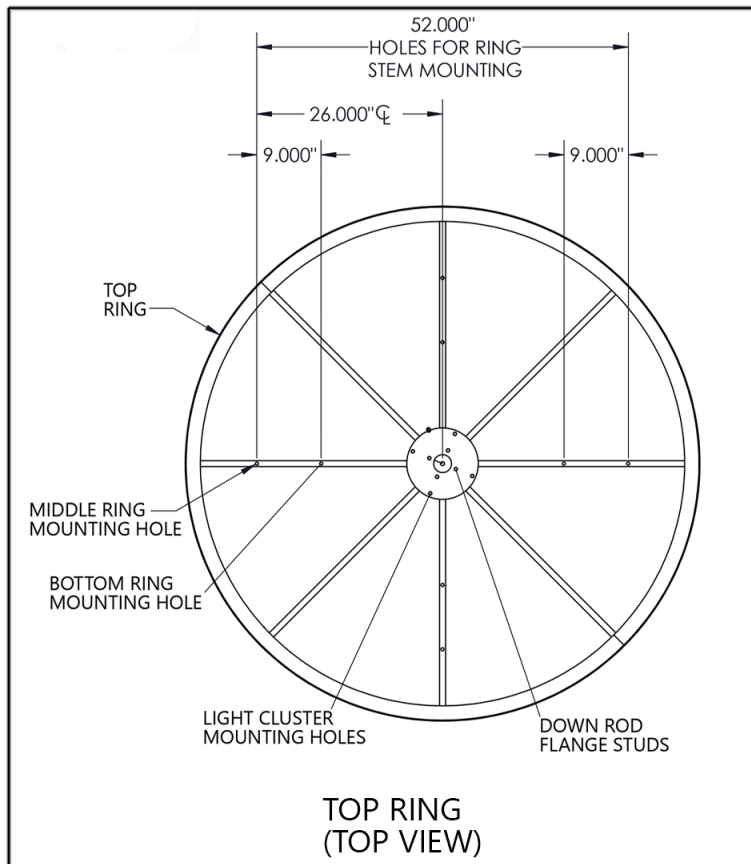
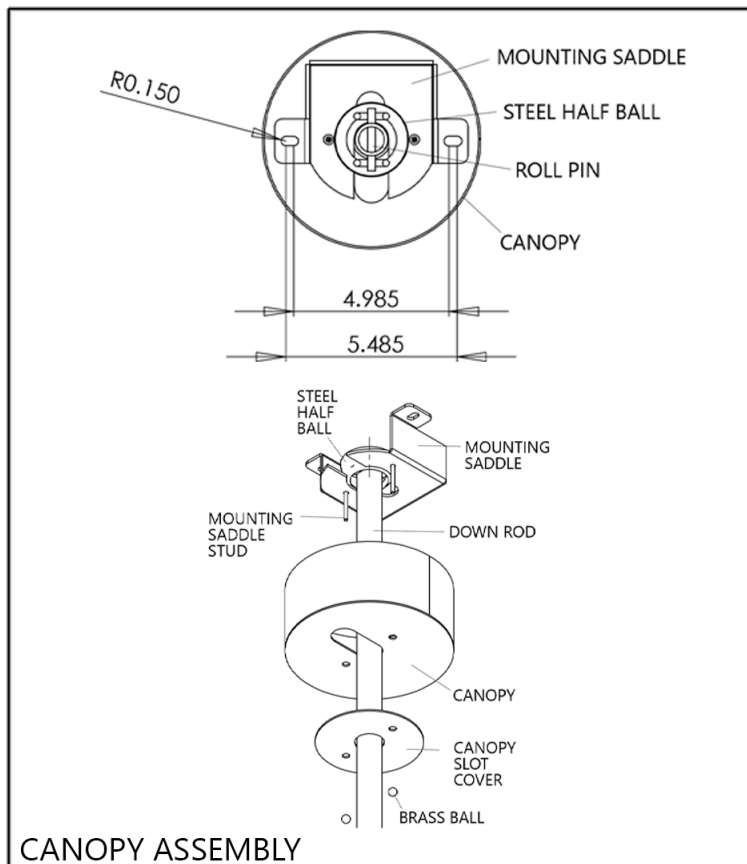
INSTALLATION INSTRUCTIONS

FOR ITEM 226528 BECKAM CHANDELIER



CAUTION: FAILURE TO INSTALL THIS FIXTURE PROPERLY MAY RESULT IN SERIOUS PERSONAL INJURY OR DEATH AND PROPERTY DAMAGE. We recommend installation by a licensed electrician. This product must be installed in accordance with applicable installation code(s), by a person familiar with the construction and operation of the product and the hazards involved.*
Caution: Do not exceed maximum wattage noted on fixture. Use only recommended bulbs with fixture.

Caution:
Fixture is OVERWEIGHT and not suitable for installation with standard Junction Box.
Be sure power is off at the main breaker box prior to installation.
Read all instructions in their entirety before beginning installation.



INSTALLATION INSTRUCTIONS

FOR ITEM 226528 BECKAM CHANDELIER



CAUTION: FAILURE TO INSTALL THIS FIXTURE PROPERLY MAY RESULT IN SERIOUS PERSONAL INJURY OR DEATH AND PROPERTY DAMAGE. We recommend installation by a licensed electrician. This product must be installed in accordance with applicable installation code(s), by a person familiar with the construction and operation of the product and the hazards involved.*
Caution: Do not exceed maximum wattage noted on fixture. Use only recommended bulbs with fixture.

Caution:

Fixture is OVERWEIGHT and not suitable for installation with standard Junction Box. Be sure power is off at the main breaker box prior to installation. Read all instructions in their entirety before beginning installation.

Crystal Panel Hardware Assembly and Attachment

1. Slide Steel Washer and then Plastic Spacer onto 3/4" Screw.
2. Feed Screw through hole at top of Panel from Flat side to Beveled side.
3. On Beveled side of Panel slide Plastic Spacer and then Steel Washer onto Screw.
4. Secure Assembly by screwing Steel Hanger onto exposed threads. **DO NOT OVER TIGHTEN.** Steel Hanger should be finger tightened enough to allow it to rest vertically versus Panel Bevel when hung.
5. Repeat Steps 1-4 for 2nd Hole in Panel.
6. Repeat Steps 1-5 for all remaining Panels.
7. Attach Panels, Beveled side out, using 1/2" Screws through Steel Hangers into Holes on inside of Top Ring of Chandelier Body.

