

INSTALLATION INSTRUCTIONS

FOR ITEM 224641 MASON JAR 24 LIGHT PENDANT

Meyda
CUSTOM LIGHTING

CAUTION: FAILURE TO INSTALL THIS FIXTURE PROPERLY MAY RESULT IN SERIOUS PERSONAL INJURY OR DEATH AND PROPERTY DAMAGE. We recommend installation by a licensed electrician. This product must be installed in accordance with applicable installation code(s), by a person familiar with the construction and operation of the product and the hazards involved.*

Caution: Do not exceed maximum wattage noted on fixture. Use only recommended bulbs with fixture.

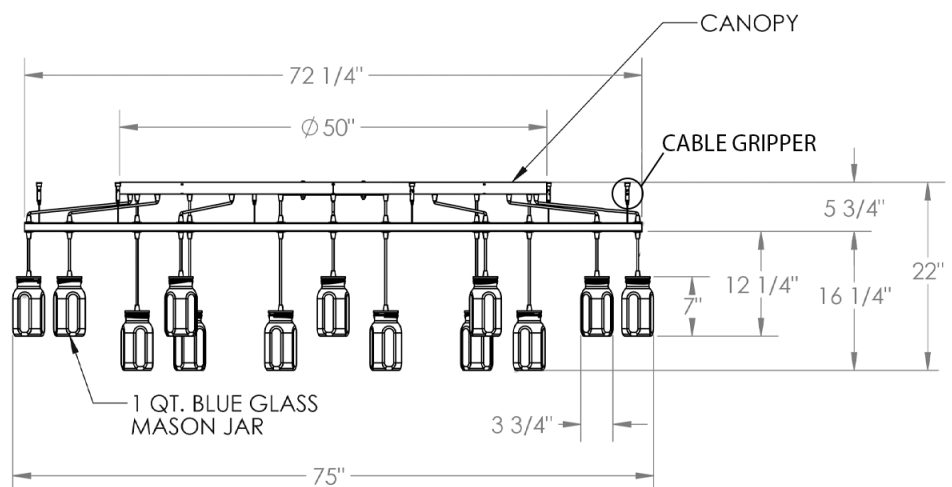
FIXTURE COMPONENTS

1. PENDANT BODY
2. MASON JAR (QTY 24)
3. HARDWARE:
 - a. CABLE GRIPPER (QTY 6)
 - b. 1/4-20 HANGER BOLT & ACORN NUT (QTY 4)
 - c. SAFETY CABLE U-BOLT (QTY 2)

Caution:

Fixture is OVERWEIGHT and not suitable for installation with standard Junction Box. Be sure power is off at the main breaker box prior to installation. Read all instructions in their entirety before beginning installation.

1. Carefully unpack all components and make certain that everything is accounted for.
2. Remove Acorn and Hex Nuts from Canopy to release Mounting Plate. Reserve all Nuts for later use.
3. Using Customer Supplied Hardware, affix Mounting Plate to ceiling ensuring that connection is suitable to hold a minimum of 125lbs and that Electrical Supply Wires remain accessible.
4. Following provided Bolt Location Diagram, install provided 1/4-20 Hanger Bolts into ceiling ensuring that the connections are suitable to hold a minimum of 125lbs.
5. Following provided Bolt Location Diagram, install Customer Supplied 1/4-20 Hanger Bolts into ceiling ensuring that connections are suitable to hold a minimum of 125lbs.
6. Screw provided Cable Grippers onto exposed threads of outer 1/4-20 Hanger Bolts until tight to ceiling.
7. Attach Safety Cable to secure location in ceiling ensuring that connection is suitable to hold a minimum of 125lbs.
8. While supporting all Rings, lift Pendant Body up to ceiling allowing Mounting Plate Studs to pass through Canopy and 1/4-20 Hanger Bolts through Outer Canopy Ring. Secure with reserved Hex and Acorn Nuts.
9. Loosen Cable Gripper Nuts and feed Aircraft Cable from outer Light Ring into Gripper until taught at desired hanging height. Tighten Gripper Nuts.
10. Remove Screws from Canopy Cover Plate to access electrical wiring. Reserve Screws for later use.
11. Following Local Codes and Procedures, make electrical connection from Fixture Lead Wires to Supply Wires.
12. Replace Canopy Cover Plate and secure with reserved Screws.
13. Install 24 Intermediate Base 15Watt Bulbs(not included) into Sockets.
14. Screw Mason Jars into Caps.
15. Power on and ENJOY!!!



INSTALLATION INSTRUCTIONS

FOR ITEM 224641 MASON JAR 24 LIGHT PENDANT

Meyda
CUSTOM LIGHTING

CAUTION: FAILURE TO INSTALL THIS FIXTURE PROPERLY MAY RESULT IN SERIOUS PERSONAL INJURY OR DEATH AND PROPERTY DAMAGE. We recommend installation by a licensed electrician. This product must be installed in accordance with applicable installation code(s), by a person familiar with the construction and operation of the product and the hazards involved.*

Caution: Do not exceed maximum wattage noted on fixture. Use only recommended bulbs with fixture.

Caution:

Fixture is OVERWEIGHT and not suitable for installation with standard Junction Box. Be sure power is off at the main breaker box prior to installation. Read all instructions in their entirety before beginning installation.

BOLT LOCATION DIAGRAM

