

INSTALLATION INSTRUCTIONS

FOR ITEM 212895 (7" Wide Miners Lantern Mini Pendant)

Meyda
CUSTOM LIGHTING

CAUTION: FAILURE TO INSTALL THIS FIXTURE PROPERLY MAY RESULT IN SERIOUS PERSONAL INJURY OR DEATH AND PROPERTY DAMAGE. We recommend installation by a licensed electrician.

This product must be installed in accordance with applicable installation code(s), by a person familiar with the construction and operation of the product and the hazards involved.*

Caution: Do not exceed maximum wattage noted on fixture. Use only recommended bulbs with fixture.

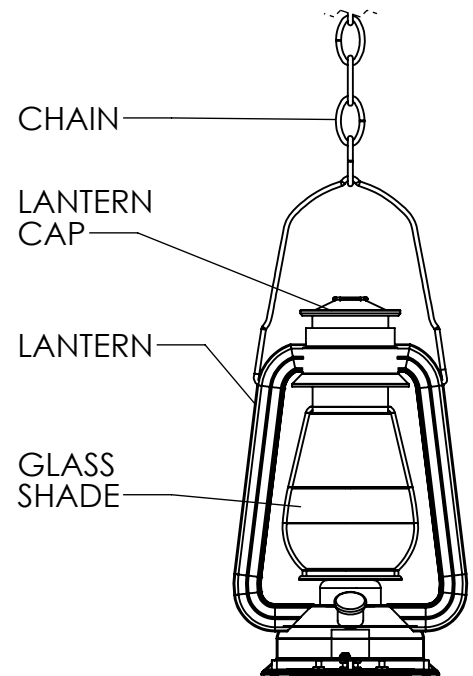
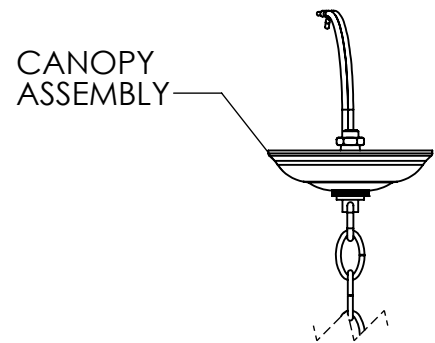
FIXTURE COMPONENTS

1. CANOPY ASSEMBLY (CANOPY, CROSSBAR, SCREW COLLAR, CROSSBAR LOOP)
2. CHAIN
3. LANTERN

Caution:

**Be sure power is off at the main breaker box prior to installation.
Read all instructions in their entirety before beginning installation.**

1. Carefully unpack all components and make certain that everything is accounted for.
2. Remove Screw Collar from Canopy Assembly to release Crossbar with Loop.
3. Affix Crossbar to Junction Box ensuring that connections is suitable for 20 lbs. and that Electrical Supply Wires remain accessible.
4. Attach desired length of Chain to Loops on Shade Frame.
5. Weave Fixture Lead Wires through every 7th Link of Chain.
6. Slide Screw Collar and then Canopy over Chain and Wire and allow them to rest on top of Lantern.
7. Hang Fixture by connecting loose end of chain to crossbar loop.
8. Feed Fixture Lead Wires through Channel in Crossbar Loop and following all Local Codes and Procedures, make electrical connection from Lead Wires to Supply Wires.
9. Slide Canopy up to ceiling and secure with Screw Collar.
10. Lift up on Lantern Cap and gently tilt Glass Shade to gain access to Socket.
11. Again lift Lantern Cap to place Glass Shade back in place.
12. Install 60W E12 BA9 Bulb (not included) into the socket.
13. Power on and ENJOY!!!



CANOPY ASSEMBLY

