

INSTALLATION INSTRUCTIONS

FOR ITEM 211422 CILINDRO BULLE FLUSHMOUNT

Meyda
CUSTOM LIGHTING

CAUTION: FAILURE TO INSTALL THIS FIXTURE PROPERLY MAY RESULT IN SERIOUS PERSONAL INJURY OR DEATH AND PROPERTY DAMAGE. We recommend installation by a licensed electrician. This product must be installed in accordance with applicable installation code(s), by a person familiar with the construction and operation of the product and the hazards involved.*

Caution: Do not exceed maximum wattage noted on fixture. Use only recommended bulbs with fixture.

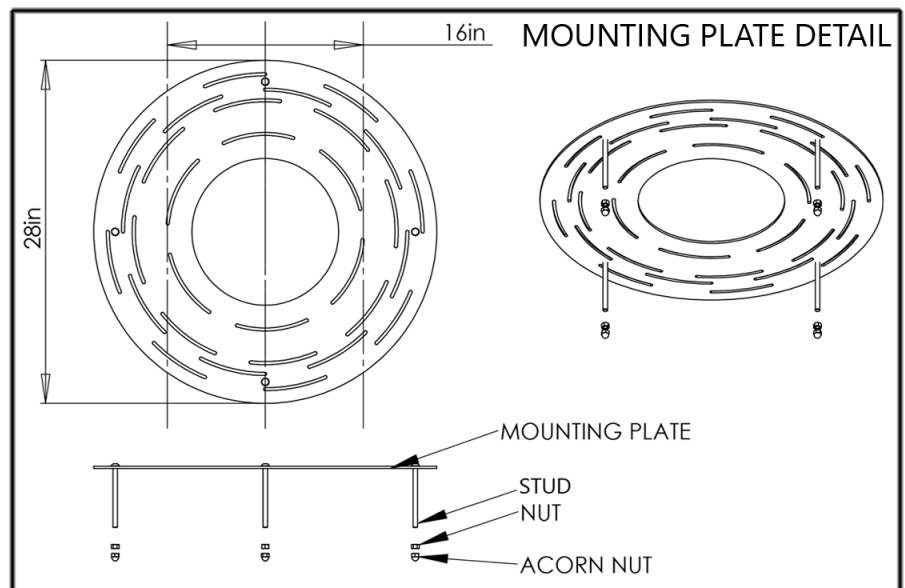
FIXTURE COMPONENTS

1. FIXTURE HARDWARE
 2. SAFETY CABLE & U-BOLTS
 3. 69.5"WIDE x 12.5"HIGH FABRIC SHADE
 4. PRE-STRUNG GLASS BALLS (SEE GLASS BALL CONFIGURATION PAGE FOR QUANTITIES)
- **ALL GLASS BALLS ARE SHIPPED ON SEPARATE PALLET LABELED WITH ITEM NUMBER 211422***

Caution:

Fixture is OVERWEIGHT and not suitable for installation with standard Junction Box. Be sure power is off at the main breaker box prior to installation. Read all instructions in their entirety before beginning installation.

1. Carefully unpack all components and make certain that everything is accounted for.
2. Remove Hex and Acorn Nuts from downward facing side of Fixture Hardware to release Mounting Plate. Reserve Nuts for later use.
3. Affix Mounting Plate to structure ensuring that connection is suitable to hold a minimum of 350lbs and the Electrical Supply Wires remain accessible.
4. Following all Local Codes and Procedures, make electrical connection from Supply Wires to Fixture Lead Wires. If dimming is desired, then a wire must be run from a 0-10v Dimming Switch to Fixture's Dimming Wires. Blue Fixture Dimming Wire will attach to Positive (+) Dimmer Switch Pole and White Fixture Dimming Wire will attach to Negative (-) Dimmer Switch Pole.
5. Loop factory crimped end of provided Safety Cable around a Mounting Plate Stud and attach opposite end of Cable to a secure location on structure using provided U-Bolts. Ensure that connection is suitable to hold a minimum of 350lbs.
6. Lift Fixture Hardware up to Mounting Plate allowing Studs to protrude through. Secure with reserved Nuts.
7. Using provided Glass Ball Configurations page, locate and identify Pre-Strung Glass Balls. All Glass Balls are packaged in boxes labeled with Item # that will correspond to their configuration.
ie. Boxes labeled --300244 will contain 20.5" Strands each with (1) 5"Glass Ball, (1) 4"Glass Ball, & (1) 3"Glass Ball attached.
8. Installation of Glass Balls on Fixture should be done starting at the center of the Fixture Hardware. Item --300244 will be installed first into the inner most ring of slots on Fixture Hardware.
See Placement Diagram Page.
To install, press Clip Prong against Slot Ridge until Clip Loop engages.
Install remaining Balls following Diagram.
9. Lift Fabric Shade up to Fixture Hardware ensuring to align Shade Hooks with Shade Hook Slots. Insert Shade Hooks into Slots and rotate Shade Clockwise until Hooks engage.
10. Power on and ENJOY!!!



INSTALLATION INSTRUCTIONS

FOR ITEM 211422 CILINDRO BULLE FLUSHMOUNT

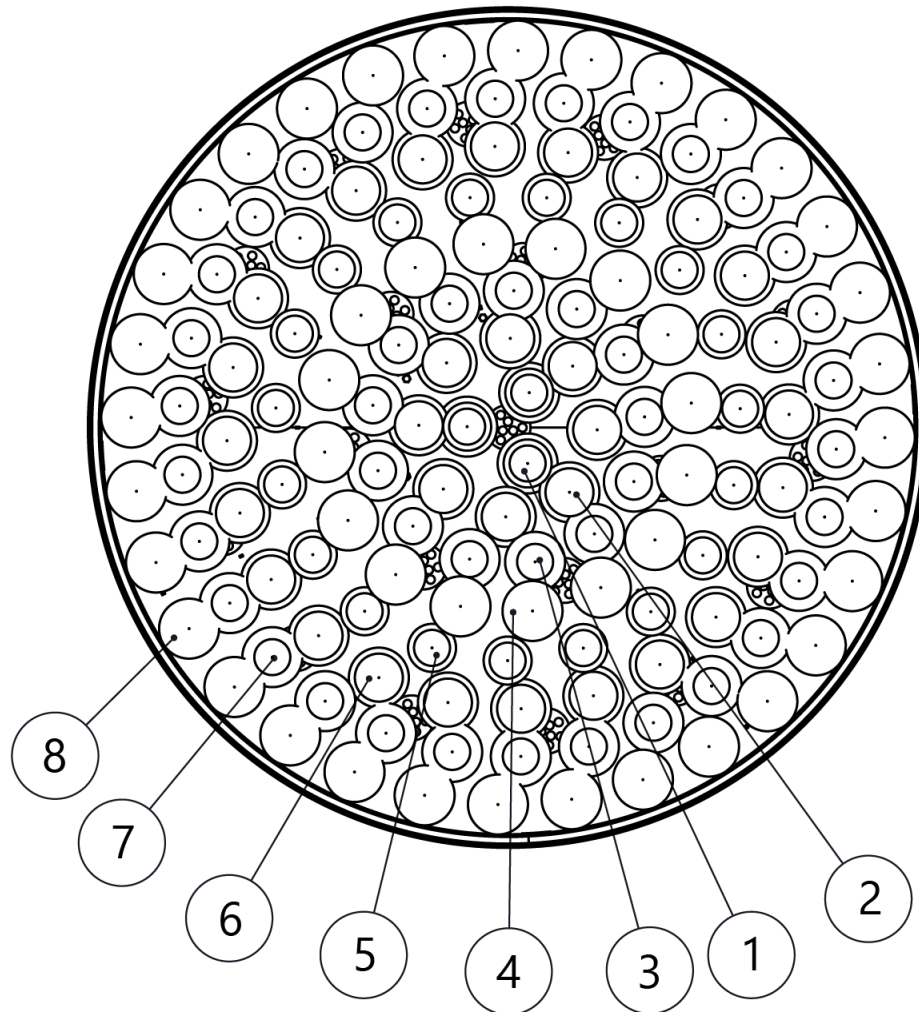
Meyda
CUSTOM LIGHTING

CAUTION: FAILURE TO INSTALL THIS FIXTURE PROPERLY MAY RESULT IN SERIOUS PERSONAL INJURY OR DEATH AND PROPERTY DAMAGE. We recommend installation by a licensed electrician. This product must be installed in accordance with applicable installation code(s), by a person familiar with the construction and operation of the product and the hazards involved.*
Caution: Do not exceed maximum wattage noted on fixture. Use only recommended bulbs with fixture.

Caution:

Fixture is OVERWEIGHT and not suitable for installation with standard Junction Box. Be sure power is off at the main breaker box prior to installation. Read all instructions in their entirety before beginning installation.

Glass Ball Placement Diagram



For Glass Ball placement, match numbers above with numbers listed on Glass Ball Configurations Page.

INSTALLATION INSTRUCTIONS

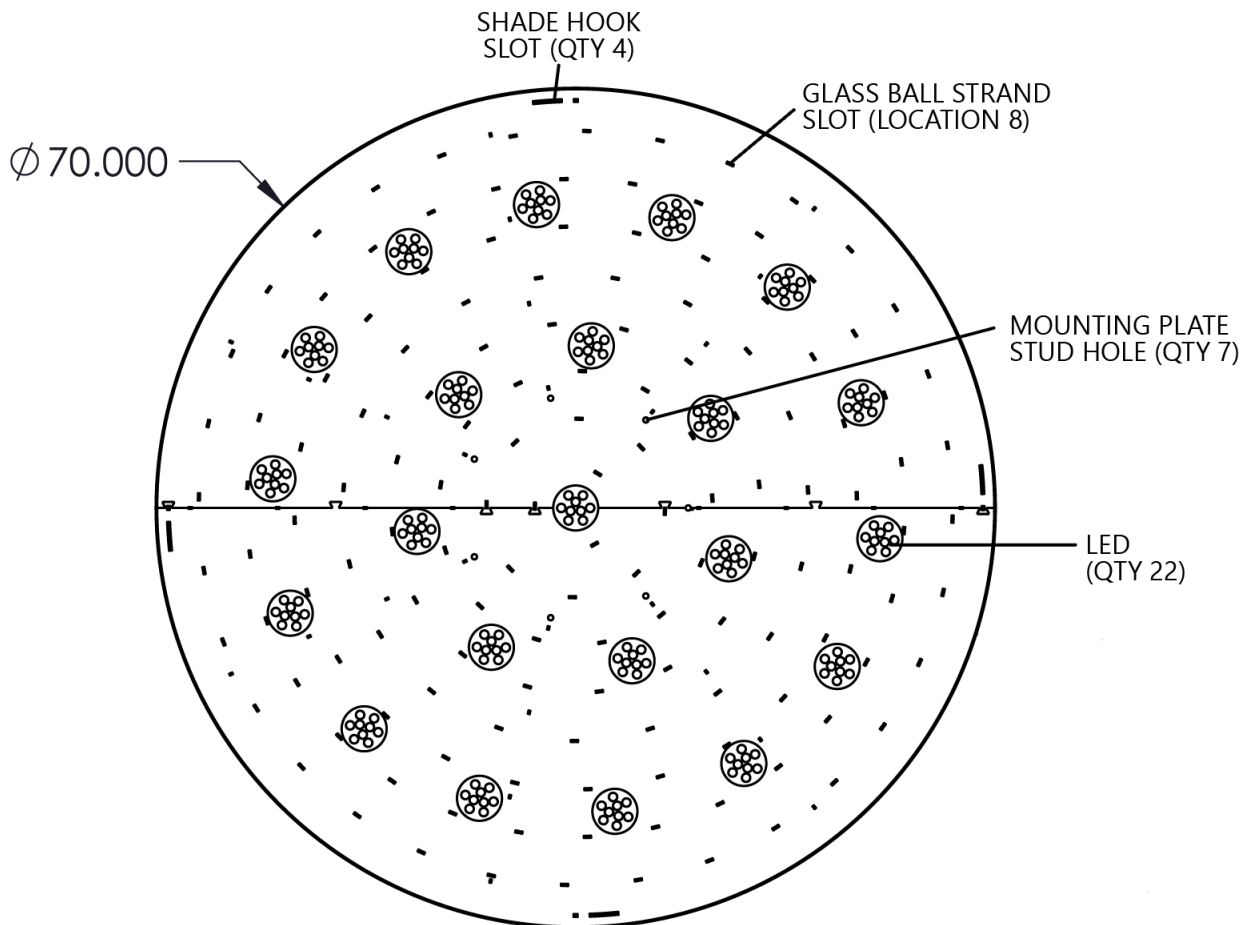
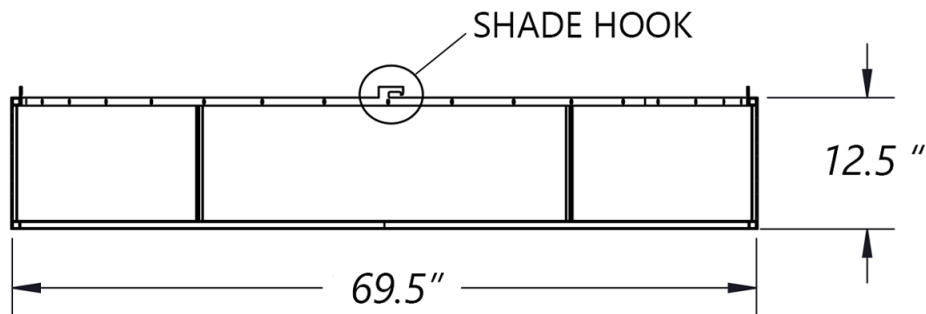
FOR ITEM 211422 CILINDRO BULLE FLUSHMOUNT

Meyda
CUSTOM LIGHTING

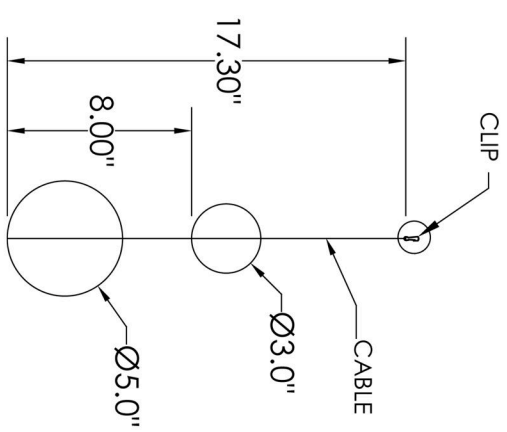
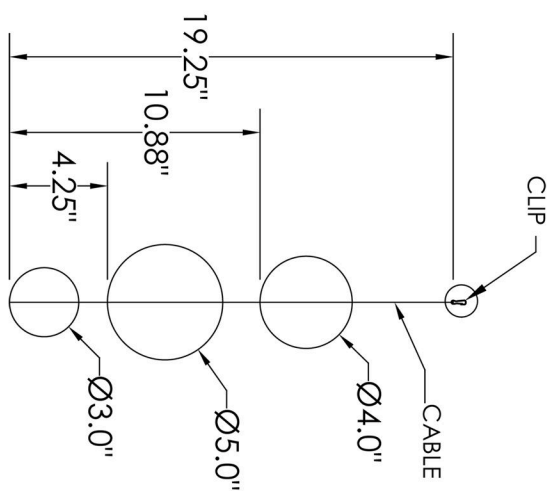
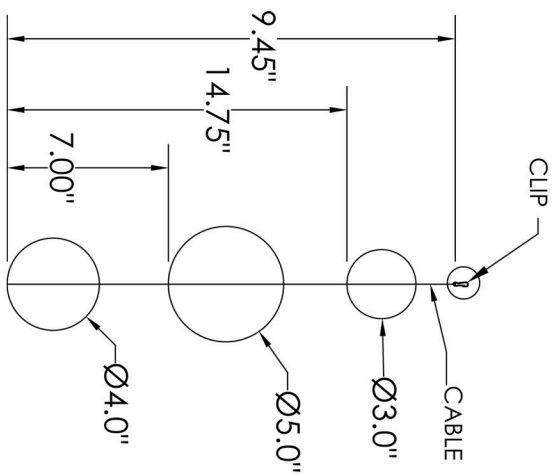
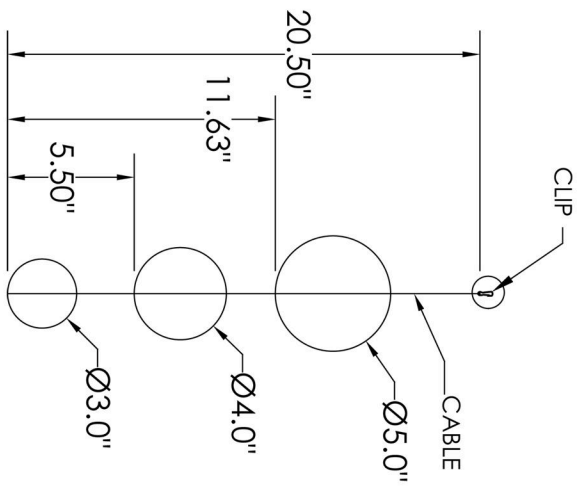
CAUTION: FAILURE TO INSTALL THIS FIXTURE PROPERLY MAY RESULT IN SERIOUS PERSONAL INJURY OR DEATH AND PROPERTY DAMAGE. We recommend installation by a licensed electrician. This product must be installed in accordance with applicable installation code(s), by a person familiar with the construction and operation of the product and the hazards involved.*
Caution: Do not exceed maximum wattage noted on fixture. Use only recommended bulbs with fixture.

Caution:

Fixture is OVERWEIGHT and not suitable for installation with standard Junction Box. Be sure power is off at the main breaker box prior to installation. Read all instructions in their entirety before beginning installation.



GLASS BALL CONFIGURATIONS FOR ITEM 211422

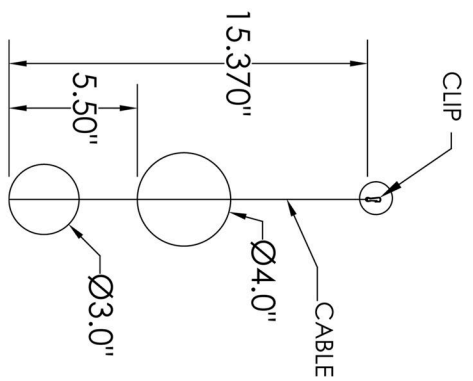


--300244 → ITEM #
QTY. 3 → TOTAL QUANTITY
① → FIXTURE
LOCATION

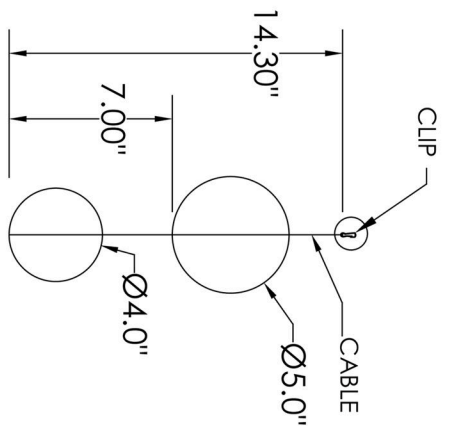
--300243
QTY. 8
②

--300242
QTY. 13
③

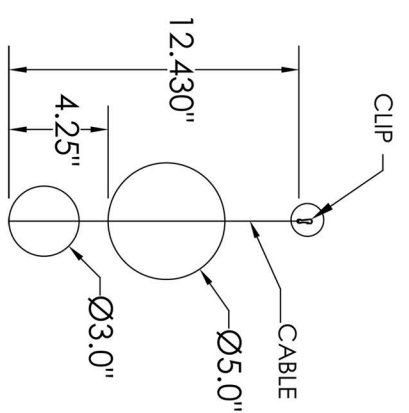
--300241
QTY. 16
④



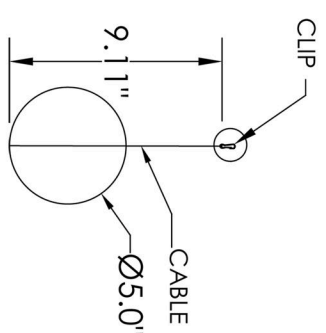
--300240
QTY. 19
⑤



--300239
QTY. 24
⑥



--300238
QTY. 30
⑦



--300235
QTY. 32
⑧

