

INSTALLATION INSTRUCTIONS

FOR ITEM 210479 BOLA 30 LIGHT CASCADING PENDANT

Meyda
CUSTOM LIGHTING

CAUTION: FAILURE TO INSTALL THIS FIXTURE PROPERLY MAY RESULT IN SERIOUS PERSONAL INJURY OR DEATH AND PROPERTY DAMAGE. We recommend installation by a licensed electrician. This product must be installed in accordance with applicable installation code(s), by a person familiar with the construction and operation of the product and the hazards involved.*

Caution: Do not exceed maximum wattage noted on fixture. Use only recommended bulbs with fixture.

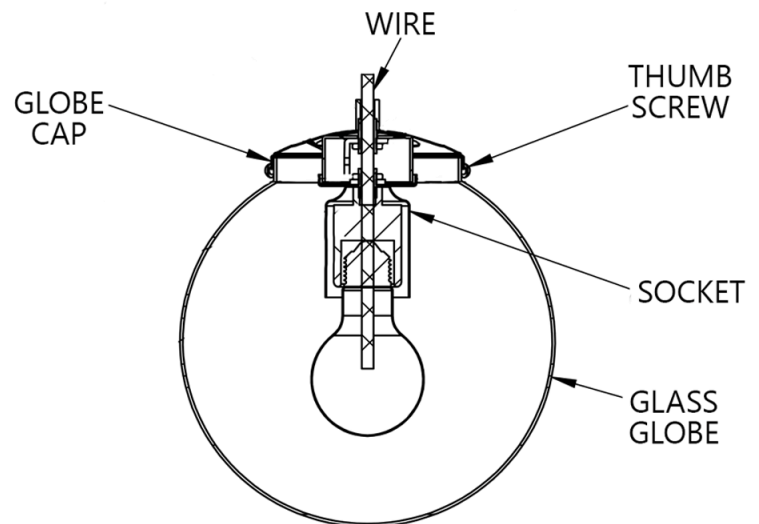
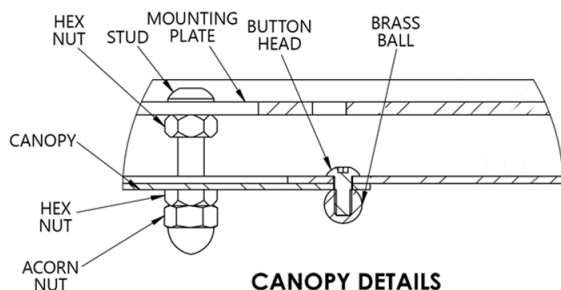
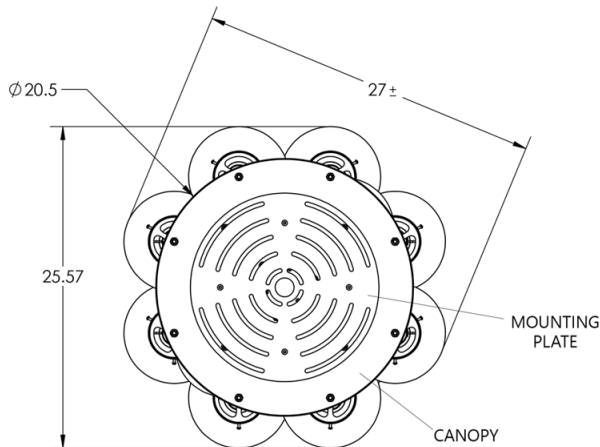
FIXTURE COMPONENTS

1. CANOPY WITH MOUNTING PLATE
2. ATTACHED GLASS GLOBES (QTY 15)
3. GLASS GLOBES (QTY 15)
4. LED LIGHT BULBS (QTY 15)

Caution:

Fixture is OVERWEIGHT and not suitable for installation with standard Junction Box. Be sure power is off at the main breaker box prior to installation. Read all instructions in their entirety before beginning installation.

1. Do not remove contents from box until instructed.
2. Remove Hex and Acorn Nuts from Canopy to release Mounting Plate. Reserve all Nuts for later use.
3. Affix Mounting Plate to ceiling ensuring that connection is suitable to hold a minimum of 150lbs and that Electrical Supply Wires remain accessible.
4. Lift Box with contents up to ceiling and following all Local Codes and Procedures, make electrical connection from Fixture Lead Wires to Supply Wires.
5. Lift Canopy up to ceiling allowing Mounting Plate Studs to protrude through. Secure using reserved Hex and Acorn Nuts.
6. Slowly lower Box from the ceiling allowing Wires and Globes to release and fall into position.
7. Once all contents of Box have been released, install provided LED Light Bulbs into vacant Sockets.
8. Install remainder of Globes over sockets by loosening Thumb Screws on Globe Caps and inserting Globe. Tighten thumb screws gently until secure. DO NOT OVER-TIGHTEN.
9. Power on and ENJOY!!!



LOWER LAMPING ASSEMBLY