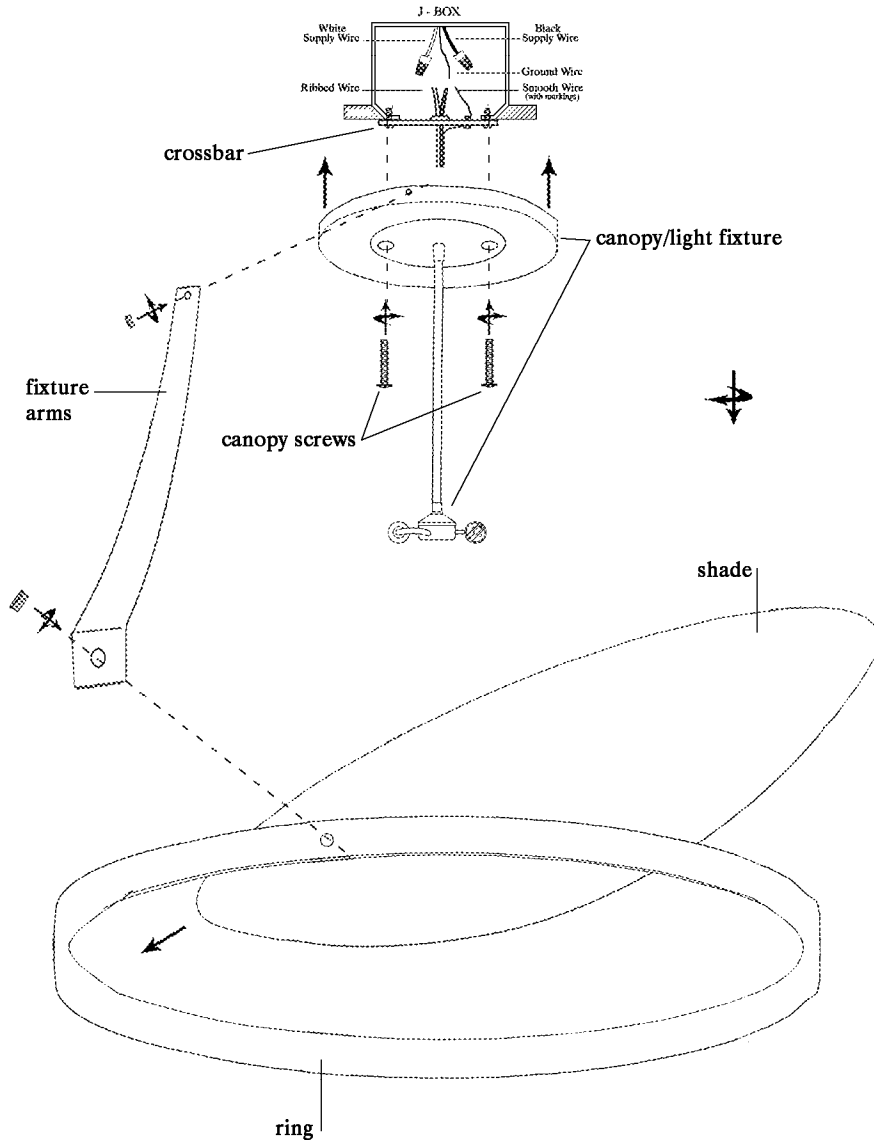


ASSEMBLY INSTRUCTIONS FOR #21015 (1-0233045200-47)



IMPORTANT

TURN OFF THE POWER AT THE MAIN FUSE OR CIRCUIT BREAKER BOX BEFORE STARTING INSTALLATION

CAREFULLY UNPACK AND IDENTIFY ALL PARTS BEFORE ASSEMBLY. BULBS ARE NOT INCLUDED

1. Attach crossbar to j box.
2. Wire as per local electrical code.
3. Attach canopy/light fixture to crossbar with canopy screws.
4. Attach (3) fixture arms to canopy and shade ring.
5. Place shade into shade ring.
6. Attach remaining fixture arm.



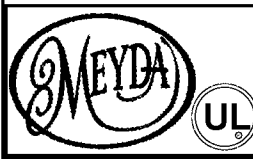
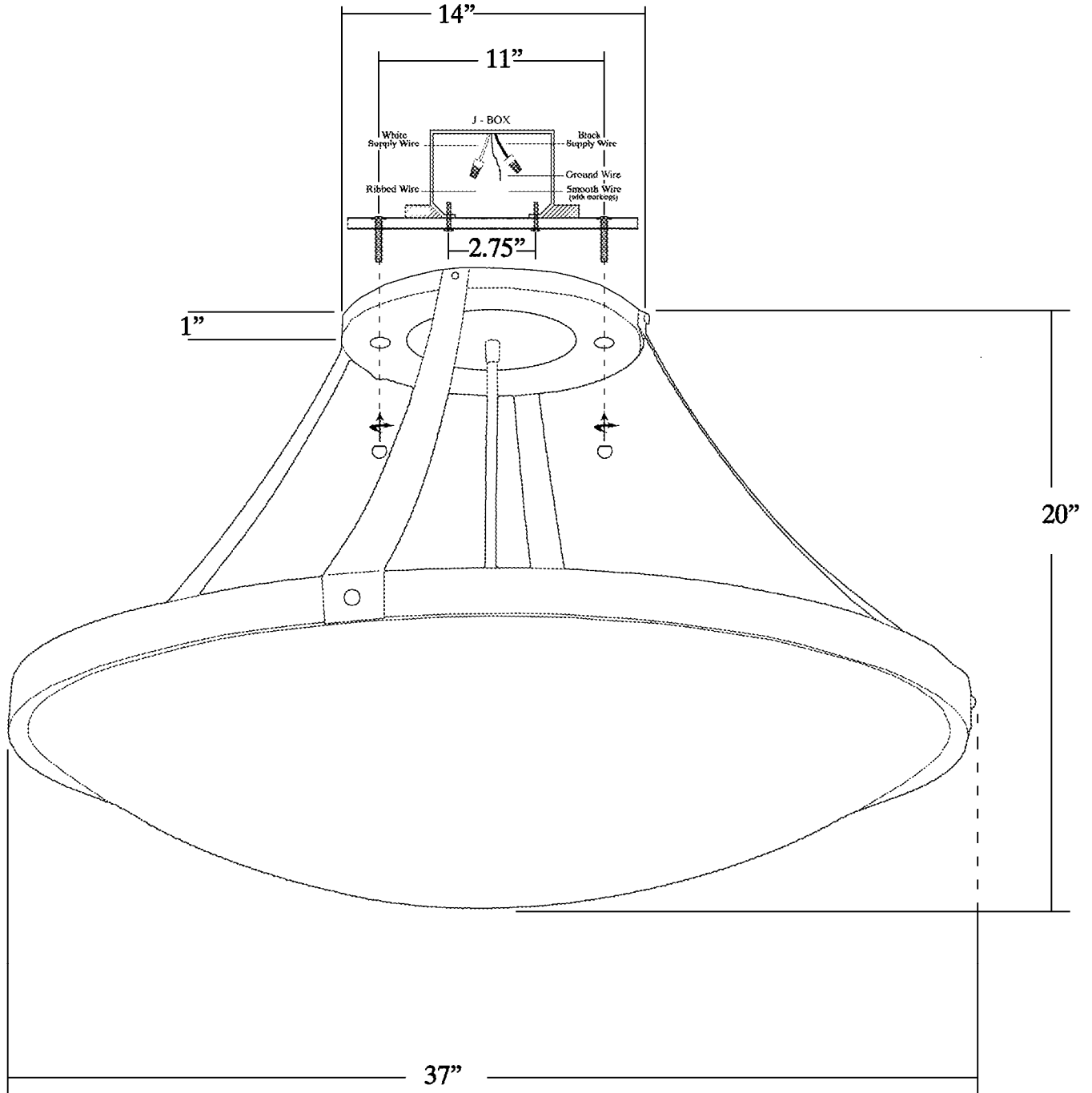
"A Commitment to Excellence in Lighting and Service"

CALL OUR CUSTOMER SERVICE DEPARTMENT AT 1-800-222-4009

MONDAY - FRIDAY 8:00 a.m. - 6:00 p.m. ET

visit us on the web at www.meyda.com

CUT SHEET, ITEM # 21015



DRAWN BY 244	WEIGHT 40LBS.	DATE 9/16/09	© MEYDA TIFFANY, INC. © DESIGN COPYRIGHT, MEYDA TIFFANY, INC. ALL RIGHTS RESERVED, NO UNAUTHORIZED DUPLICATION		
VOLTAGE 110	GLASS COLOR WHITE ALABASTER	BULB # 6		DISCRIPTION URBAN SEMI-FLUSH MOUNT	PROJECT NUMBER 1-0233045200-47
FINISH TIMELESS BRONZE		TYPE MEDIUM BASE		DESIGN NUMBER 1-0233045200-47	
MATERIAL STEEL/ACRYLIC		WATT 100		FINAL MODEL NUMBER 21015	