

# ASSEMBLY INSTRUCTIONS FOR #19324 / P247-14-1-M277-1

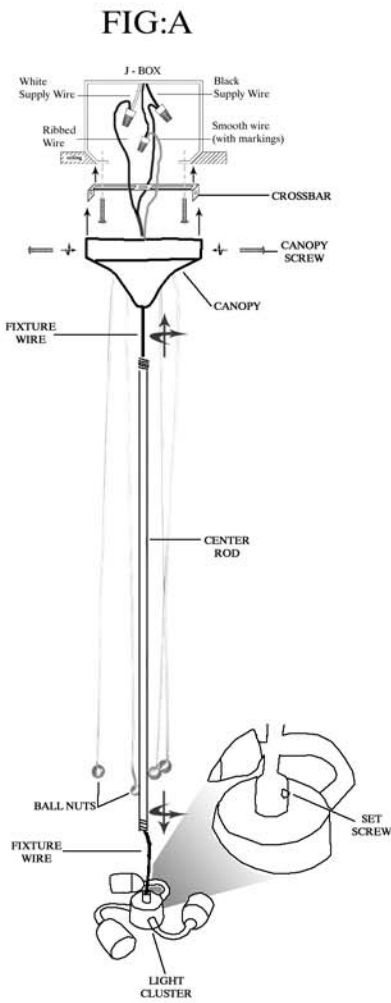


FIG:B

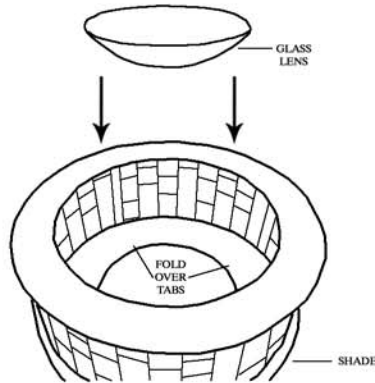
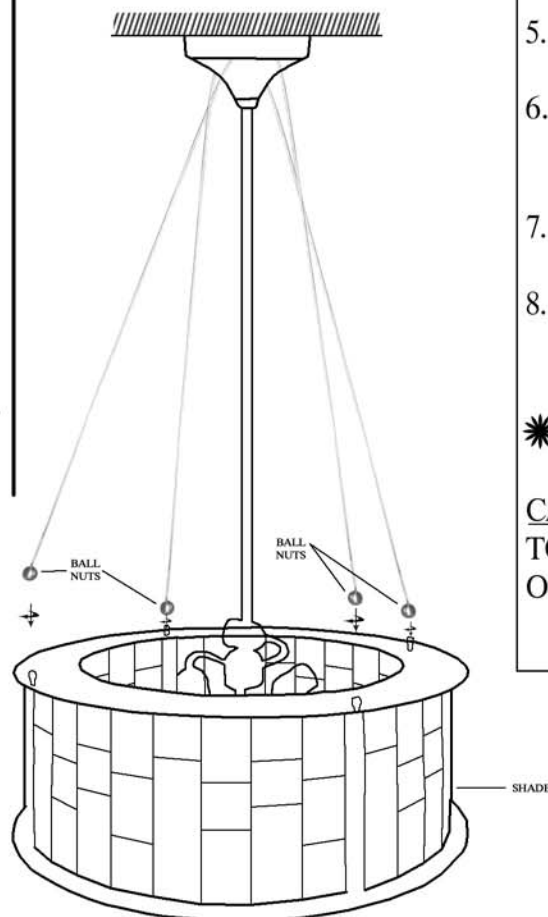


FIG:C



## IMPORTANT

TURN OFF THE POWER AT THE MAIN FUSE OR CIRCUIT BREAKER BOX BEFORE STARTING INSTALLATION

CAREFULLY UNPACK AND IDENTIFY ALL PARTS BEFORE ASSEMBLY. BULBS ARE NOT INCLUDED

1. Locate the allen wrench from the parts bag.
2. Unscrew the four ball nuts from the top of shade. FIG.A
3. Loosen set screw located at the top of the light cluster. FIG.A
4. Thread fixture wire through center rod/screw center rod into top of light cluster and secure with set screw. FIG.A
5. Thread fixture wire through canopy/screw center rod into canopy. FIG.A
6. Screw crossbar into j-box/wire as per local electrical code. Attach fixture to crossbar using canopy screws. FIG.A
7. Place glass lens into bottom of barrel shade/ secure with fold-over tabs. FIG.B
8. Place shade to fixture and attach with ball nuts. FIG.C

\* SCREW BALL NUTS UP OR DOWN TO LEVEL SHADE.

**CAUTION:** WHEN ATTACHING SHADE TO FIXTURE HOLD BOTTOM PLATE OF SHADE ONLY.



*"A Commitment to Excellence in Lighting and Service"*

CALL OUR CUSTOMER SERVICE DEPARTMENT AT 1-800-222-4009

MONDAY - FRIDAY 8:00 a.m. - 6:00 p.m. ET

visit us on the web at [www.meyda.com](http://www.meyda.com)