

# INSTALLATION INSTRUCTIONS

FOR ITEM 191292 BRUM WALL SCONCE

*Meyda*  
CUSTOM LIGHTING

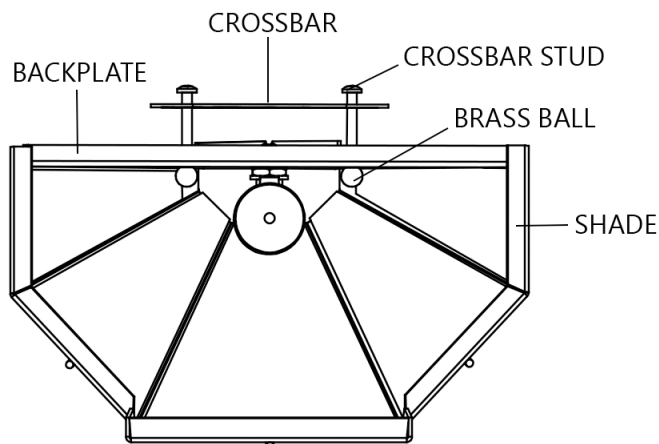
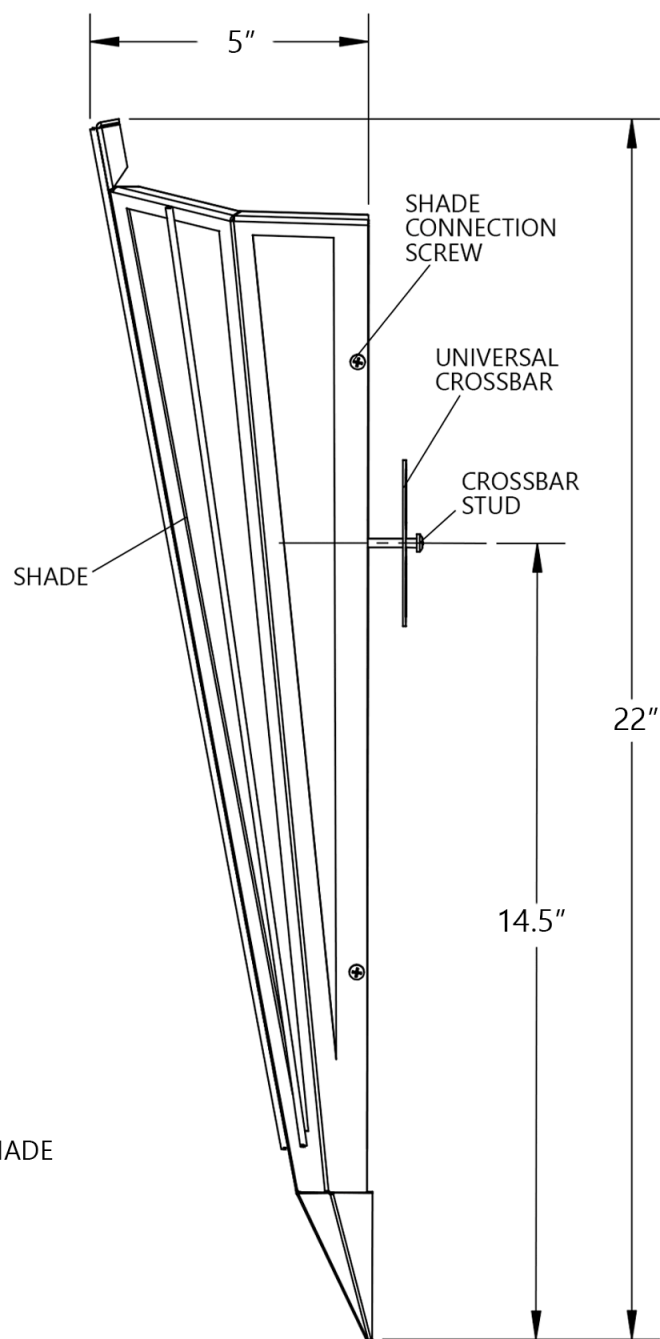
**CAUTION: FAILURE TO INSTALL THIS FIXTURE PROPERLY MAY RESULT IN SERIOUS PERSONAL INJURY OR DEATH AND PROPERTY DAMAGE.** We recommend installation by a licensed electrician. This product must be installed in accordance with applicable installation code(s), by a person familiar with the construction and operation of the product and the hazards involved.\*

**Caution:** Do not exceed maximum wattage noted on fixture. Use only recommended bulbs with fixture.

## **Caution:**

***Be sure power is off at the main breaker box prior to installation.  
Read all instructions in their entirety before beginning installation.***

1. Carefully unpack all components and make certain that everything is accounted for.
2. Remove 4 Screws, 2 from each side of Shade, to separate Shade from Backplate. Reserve Screws for re-assembly later.
3. Remove Brass Balls from Backplate to release Universal Crossbar and Studs. Reserve Brass Balls for later use.
4. Affix Universal Crossbar to Junction Box using Customer Supplied Hardware. Ensure connection is suitable to hold a minimum of 10lbs and that Electrical Supply Wires remain accessible.
5. Following all Local Codes and Procedures, make electrical connection from Fixture Lead Wires to Supply Wires.
6. Slide Backplate over Crossbar Studs and secure with reserved Brass Balls.
7. Install 2 Candelabra Base 60 Watt Bulbs (not included) into Socket.
8. Place Shade over Backplate aligning 4 side holes, 2 on each side, and secure with reserved Screws.
9. Power on and ENJOY!!!



TOP VIEW

SIDE VIEW