

INSTALLATION INSTRUCTIONS

FOR HELIOCENTRICITY 6 LT CHANDELIER ITEM 188206

Meyda
CUSTOM LIGHTING

CAUTION: FAILURE TO INSTALL THIS FIXTURE PROPERLY MAY RESULT IN SERIOUS PERSONAL INJURY OR DEATH AND PROPERTY DAMAGE. We recommend installation by a licensed electrician. This product must be installed in accordance with applicable installation code(s), by a person familiar with the construction and operation of the product and the hazards involved.*

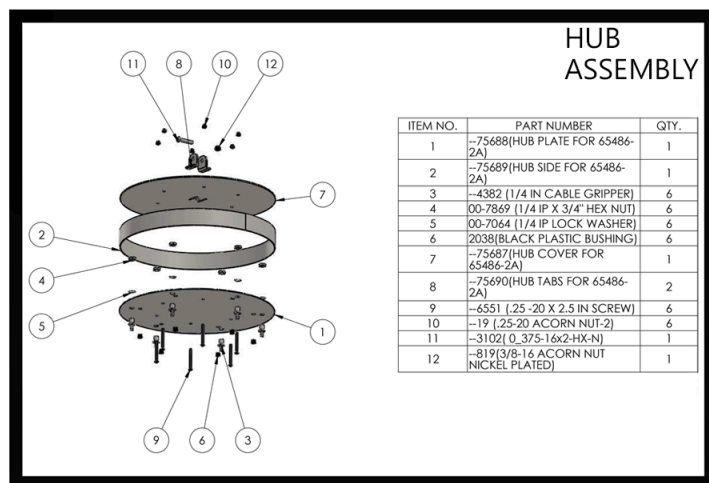
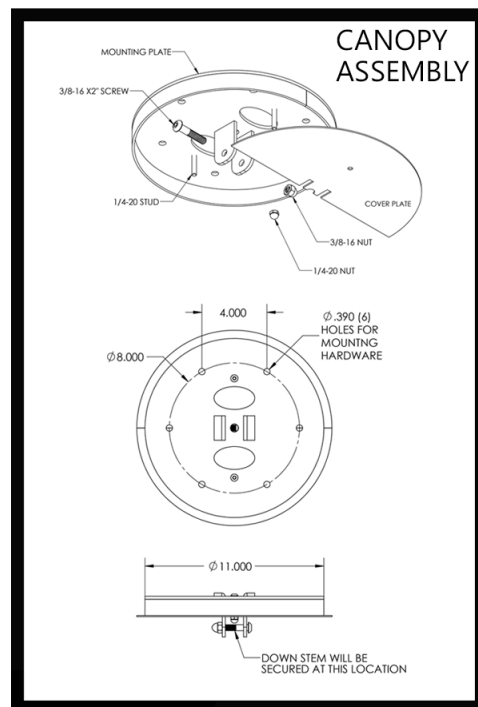
Caution: Do not exceed maximum wattage noted on fixture. Use only recommended bulbs with fixture.

FIXTURE COMPONENTS

1. CANOPY ASSEMBLY
2. 120" FIELD CUTTABLE ROD
3. HUB ASSEMBLY W/ SAFETY CABLE
4. 3 RING FIXTURE BODY W/ 6 AIRCRAFT CABLES
5. LIGHT ARM ASSEMBLY W/ WIRE (QTY 6)
6. 16" IDALIGHT GLOBES (QTY 6)
7. WIRE STRAIN RELIEFS (QTY 6)
8. PLASTIC BUSHINGS (QTY 6)
9. 1/4-20 BOLTS AND ACORN NUTS (QTY 2)
10. 17' ELECTRICAL LEAD WIRE
11. CABLE CLAMP U-BOLTS (QTY 2)

Caution: Be sure power is off at the main breaker box prior to installation. Read all instructions in their entirety before beginning installation.

1. Carefully unpack all components and make certain that everything is accounted for.
2. Remove Acorn Nuts from Canopy Assembly to release mounting plate.
3. Affix Mounting Plate to structure with Dog Ears and Studs facing down ensuring that connection is suitable for minimum 230lbs and electrical lead wires remain accessible.
4. Fixture will have to be assembled off of the ground. We recommend that Fixture Body be suspended from scaffolding at the approximate height for final installation. A center beam should be used to hold Hub at the approximate final height above top ring of Fixture Body.
5. If desired length of Rod is less than 120", cut 1 end of Rod and drill 3/8" Diameter hole at 1/2" to center from cut end of Rod.
6. Using provided Electrical Lead Wire, make connection to power following all local codes and procedures.
7. Attach Rod to Dog Ears on Canopy using provided 1/4-20 Bolt and Acorn Nut. Electrical Lead Wire should be run through Rod. Wire can be cut at 24" beyond bottom of Rod. This will allow for excess to make connections inside Hub.
8. Open Hub assembly by removing Acorn Nuts and Hex Nuts from top.



INSTALLATION INSTRUCTIONS

FOR HELIOCENTRICITY 6 LT CHANDELIER ITEM 188206

Meyda
CUSTOM LIGHTING

CAUTION: FAILURE TO INSTALL THIS FIXTURE PROPERLY MAY RESULT IN SERIOUS PERSONAL INJURY OR DEATH AND PROPERTY DAMAGE. We recommend installation by a licensed electrician. This product must be installed in accordance with applicable installation code(s), by a person familiar with the construction and operation of the product and the hazards involved.*

Caution: Do not exceed maximum wattage noted on fixture. Use only recommended bulbs with fixture.

Caution: Be sure power is off at the main breaker box prior to installation. Read all instructions in their entirety before beginning installation.

9. Attach Dog Ears on Hub Cover to bottom of Rod using provided 1/4-20 Bolt and Acorn Nut. Electrical Lead Wire should be fed through hole in center of Hub Cover.

10. Unravel Safety Cable from inside Hub and run it up through center hole in Hub Cover and through Rod. Safety Cable should be fastened to structure using provided Cable Clamp U-Bolts and ensuring that connection is suitable for a minimum of 230lbs.

11. Aircraft cables should be run from top ring of Fixture Body to Cable Grippers on bottom of Hub. Loosen Cable grippers and feed Cable into Hub to desired length. Retighten once Cable length is set.

12. Attach each Light Arm Assembly to bottom ring of Fixture Body by first running wires up through channels and out of holes at top of Body. Connection of Assembly to Body is made by sliding Collar at top of Assembly over exposed threaded nipple and tightening Set Screw.

13. Provided Plastic Bushings should be slid over loose end of wire and into holes at top of Fixture Body.

14. Loose ends of Wires should be run from top of Fixture Body to Hub. Feed wires through Plastic Bushings in bottom of Hub and set Wire length inside Hub using Strain Reliefs.

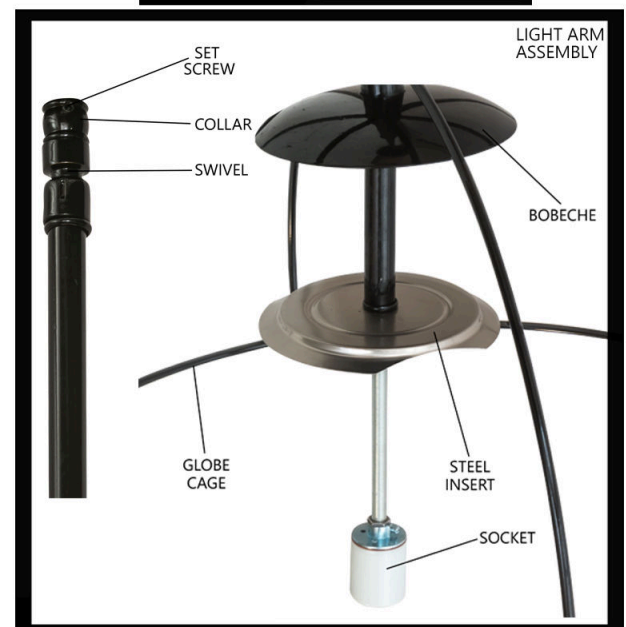
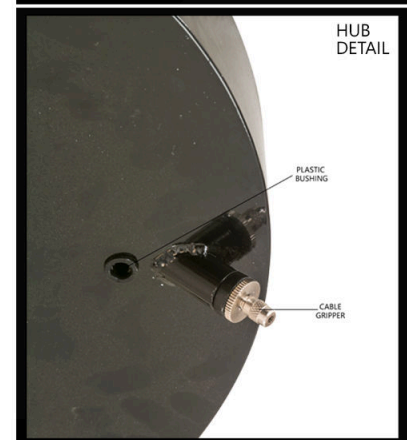
15. Make electrical connections inside Hub by connecting Light Assembly Wires to Lead Wire.

16. Once all electrical connections have been made, Hub Cover can be replaced and secured using Acorn and Hex Nuts. At this time Fixture is secure to hang freely.

17. Install Canopy Cover Plates by sliding each half over Studs from Mounting Plate and secure with Acorn Nuts.

18. Install 6 Medium Base 60Watt Bulbs(not included) into sockets.

19. Install Idalight Globes at bottom of Light Arm Assemblies by sliding Globe Cages up and resting open end of Globes on top of Steel Inserts. Lower Globe Cages back down onto Globes.



PG 2 of 2