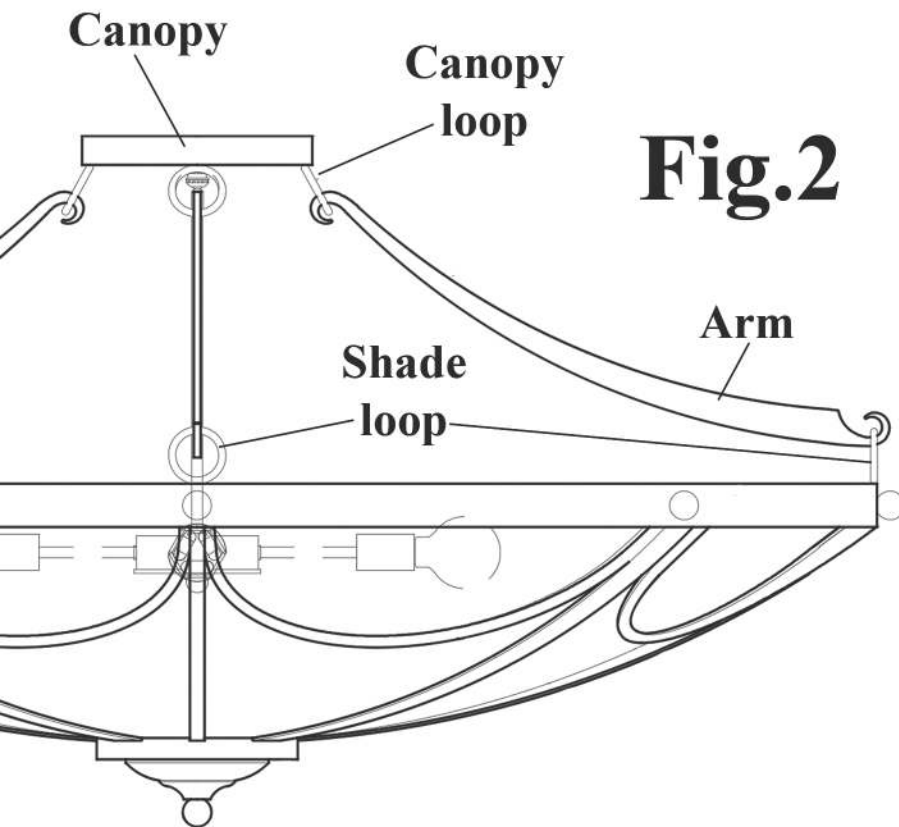
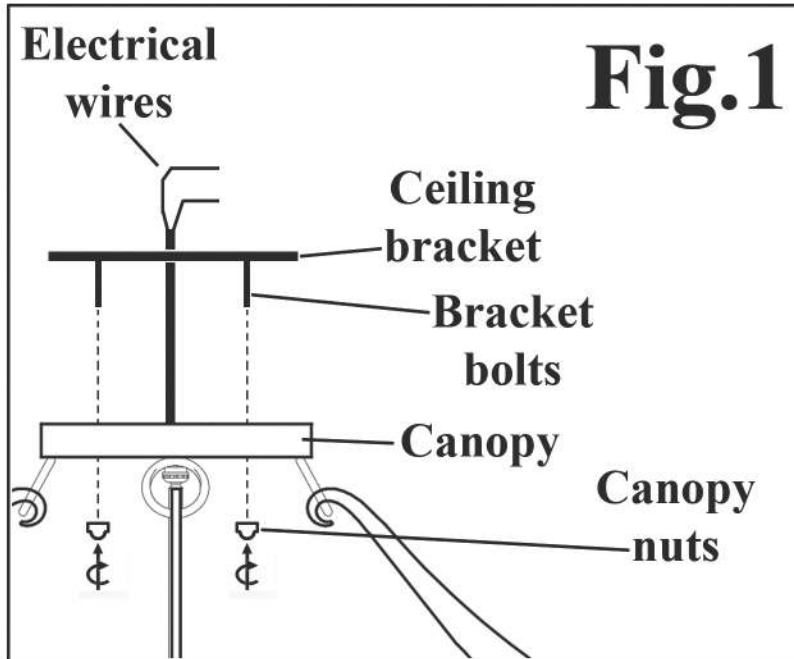


**THIS FIXTURE WEIGHS OVER 40 LBS.**

0700 11/16/16

NEC:314.27B, A luminaire that weighs more than 23kg (50lbs.) shall be supported independently of the outlet box unless the outlet box is listed AND MARKED for the MAXIMUM WEIGHT to be supported.

## ASSEMBLY INSTRUCTIONS FOR #185873



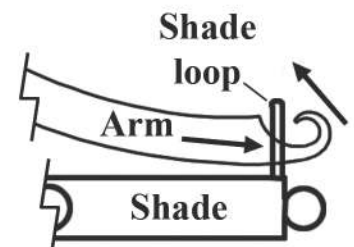
### IMPORTANT

TURN OFF THE POWER AT THE MAIN FUSE OR CIRCUIT BREAKER BOX BEFORE STARTING INSTALLATION

CAREFULLY UNPACK AND IDENTIFY ALL PARTS BEFORE ASSEMBLY. BULBS ARE NOT INCLUDED

- 1.) Attach your ceiling bracket to ceiling. Bring canopy (with light cluster attached) to ceiling and connect electrical wires as per your local electrical code. Slide canopy up onto the bracket bolts. Secure canopy flush to ceiling by screwing the canopy nuts onto the bracket bolts. (Fig.1)
- 2.) Attach the slim end of arms to the loops that hang from canopy. Attach as seen in Fig.2. The wider end of arm will be pushed through the shade loop, and allowed to come back and "hook" the shade ring. (See Arm Detail)
- 3.) Bulb your fixture, (bulbs provided by others). Power on, enjoy your new fixture!

### Arm Detail



*"A Commitment to Excellence in Lighting and Service"*

CALL OUR CUSTOMER SERVICE DEPARTMENT AT 1-800-222-4009

MONDAY - FRIDAY 8:00a.m - 6:00p.m ET

visit us on the web at [www.meyda.com](http://www.meyda.com)