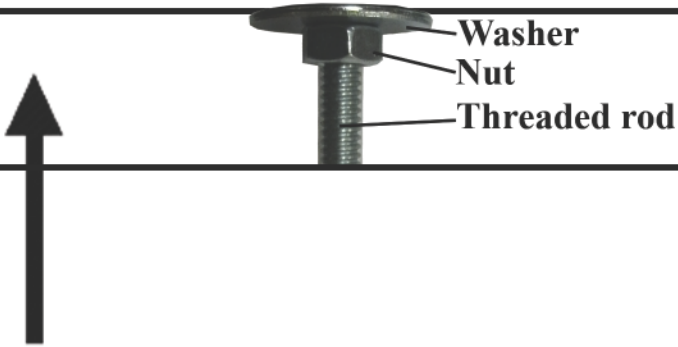
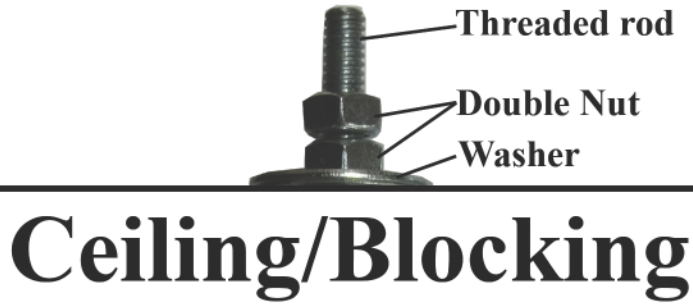


THIS FIXTURE WEIGHS OVER 380 LBS.

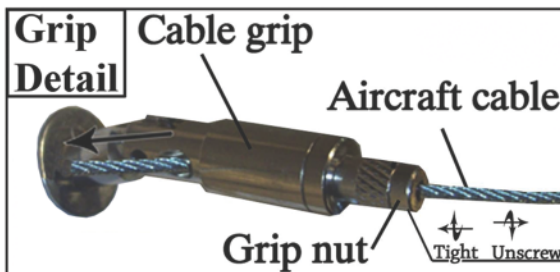
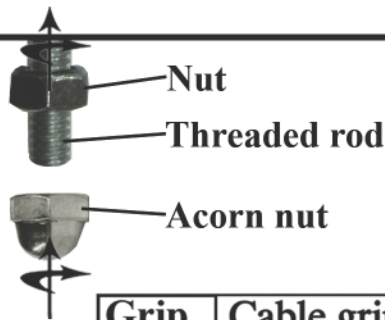
0700 12/14/16

NEC:314.27B, A luminaire that weighs more than 23kg (50lbs.) shall be supported independently of the outlet box unless the outlet box is listed AND MARKED for the MAXIMUM WEIGHT to be supported.

ASSEMBLY INSTRUCTIONS FOR # 182574



Fixture's Canopy



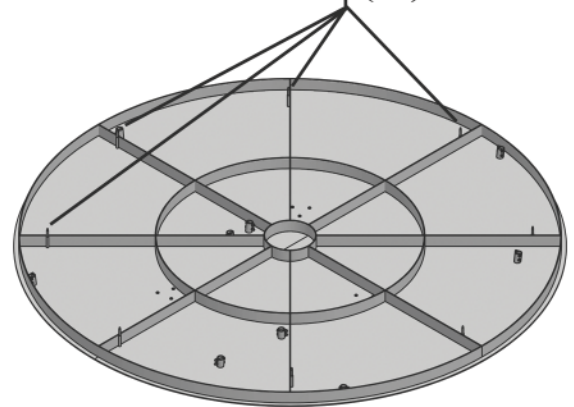
IMPORTANT

TURN OFF THE POWER AT THE MAIN FUSE OR CIRCUIT BREAKER BOX BEFORE STARTING INSTALLATION

CAREFULLY UNPACK AND IDENTIFY ALL PARTS BEFORE ASSEMBLY. BULBS ARE NOT INCLUDED

- 1.) Fixture is pre-assembled.
- 2.) Mount your fixture: After taking necessary measurements, use the provided threaded rods, and send them through ceiling/blocking material for holding fixture. Above ceiling you will place a washer and then screw double nuts down to washer/ceiling.
- 3.) Under ceiling slide washer up to ceiling and secure in position, and then screw a nut up to ceiling.
- 4.) Bring canopy to ceiling and connect electrical wires as per your local electrical code.
- 5.) Slide canopy up onto the threaded rods, and secure flush to ceiling by screwing the nut on followed by the acorn nut.
- 6.) Power on, enjoy your new fixture!
- 7.) If you need to tighten aircraft cables: You must unscrew the grip nut, but not all the way. Once the grip nut is loosened, push it back towards the cable grip body. In this way the cable will pass freely through the cable grip. Let go of the grip nut and it will grip the cable. Once you are sure of the length, screw the grip nut back down. Once you are absolutely sure of length you may cut excess cable. (Grip Detail)

Attach canopy here (8x)



"A Commitment to Excellence in Lighting and Service"

CALL OUR CUSTOMER SERVICE DEPARTMENT AT 1-800-222-4009

MONDAY - FRIDAY 8:00a.m - 6:00p.m ET

visit us on the web at www.meyda.com