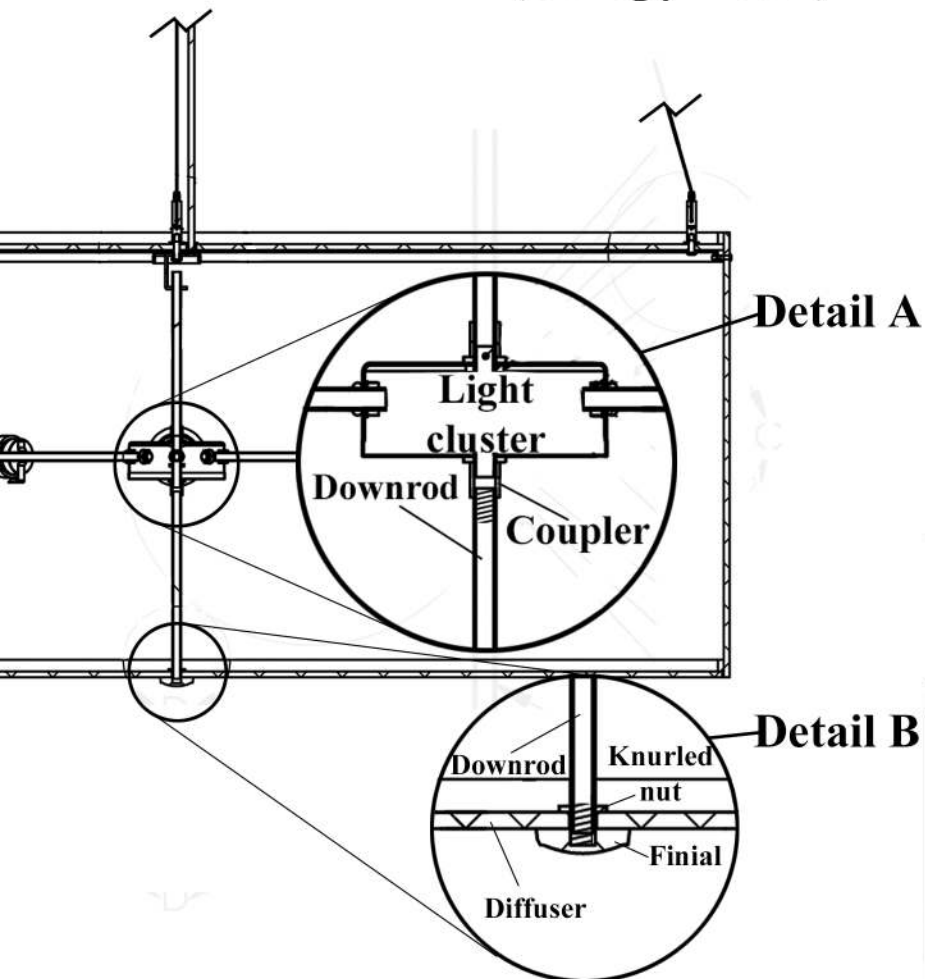
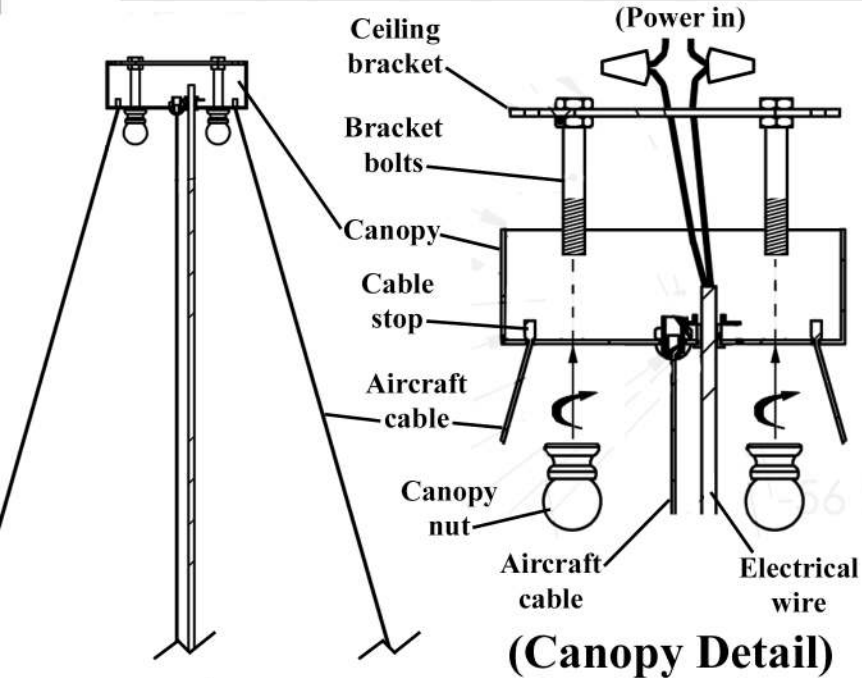


THIS FIXTURE WEIGHS OVER 70 LBS.

0700 10/18/16

NEC:314.27B, A luminaire that weighs more than 23kg (50lbs.) shall be supported independently of the outlet box unless the outlet box is listed AND MARKED for the MAXIMUM WEIGHT to be supported.

ASSEMBLY INSTRUCTIONS FOR #182124



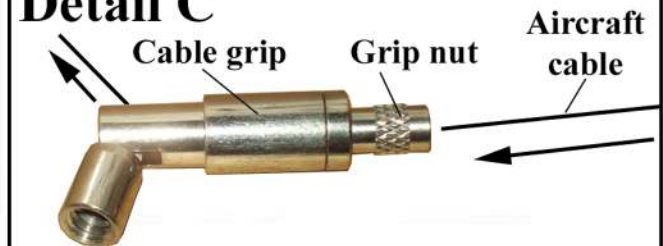
IMPORTANT

TURN OFF THE POWER AT THE MAIN FUSE OR CIRCUIT BREAKER BOX BEFORE STARTING INSTALLATION

CAREFULLY UNPACK AND IDENTIFY ALL PARTS BEFORE ASSEMBLY. BULBS ARE NOT INCLUDED

- 1.) Attach the ceiling bracket to ceiling. Be sure there is 4 bolts pointing down ready to receive canopy. Run your aircraft cable through the canopy so that the cable stops are resting within the canopy. (Canopy Detail)
- 2.) Run the other ends of the aircraft cables through the cable grips. To do so, unscrew the grip nut (not all the way). Once grip nut is loose push the grip nut towards the body of the cable grip. This will allow the cable to pass through freely, let go of grip nut and it will grip. Once cable is at its desired length, you will screw the grip nut back down towards the body of the cable grip. Once you are sure of length you may cut excess cable. (Detail C)
- 3.) Run electrical wire through center of canopy. Bring canopy to ceiling, and connect electrical wires as per your local electrical code. Slide canopy up onto the 4 bracket bolts, and secure canopy flush to ceiling by screwing the 4 canopy nuts onto the 4 bolts. (Canopy Detail)
- 4.) Screw your downrod into the coupler located under the light cluster. (Detail A) Bulb your fixture at this time, (bulbs provided by others).
- 5.) Screw the knurled nut onto the bottom of the downrod leaving enough room for the diffuser and finial. Place diffuser up onto the bottom of the downrod, and secure by screwing the finial onto the bottom of downrod. (Detail B) Done! Enjoy!

Detail C



"A Commitment to Excellence in Lighting and Service"

CALL OUR CUSTOMER SERVICE DEPARTMENT AT 1-800-222-4009

MONDAY - FRIDAY 8:00a.m - 6:00p.m ET

visit us on the web at www.meyda.com