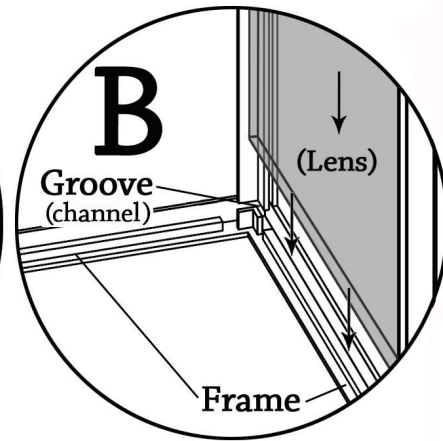
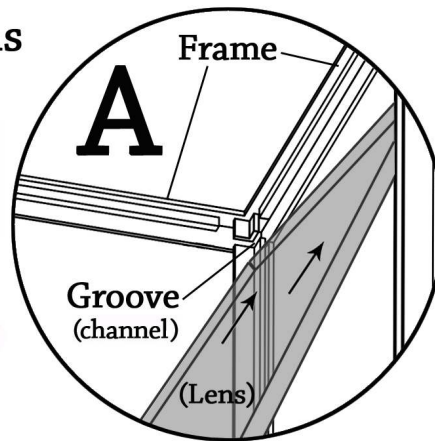
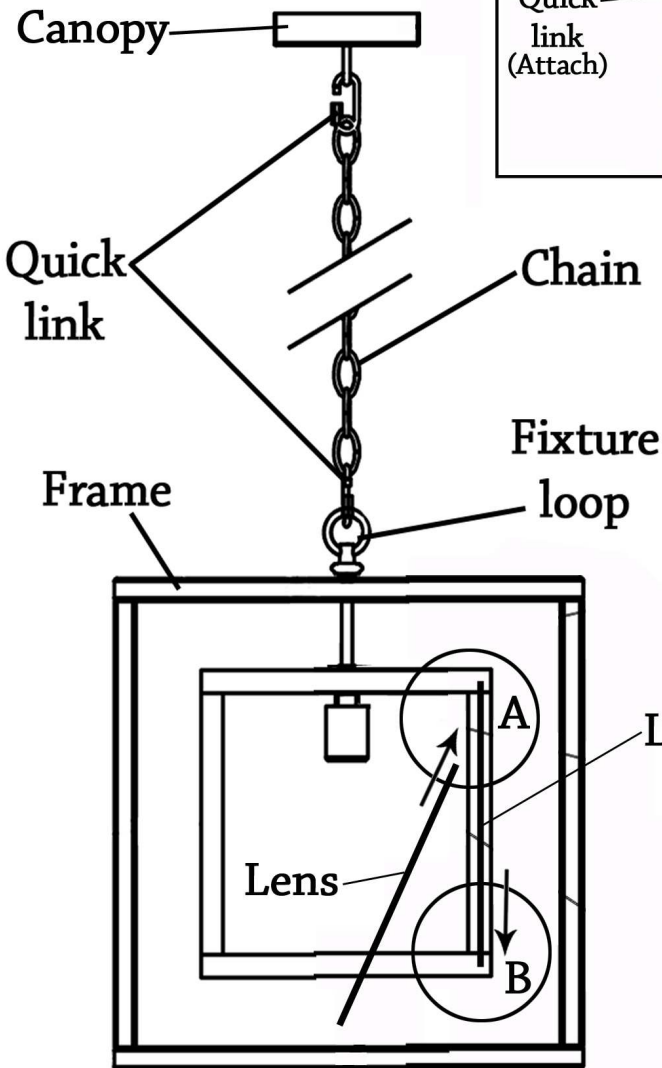
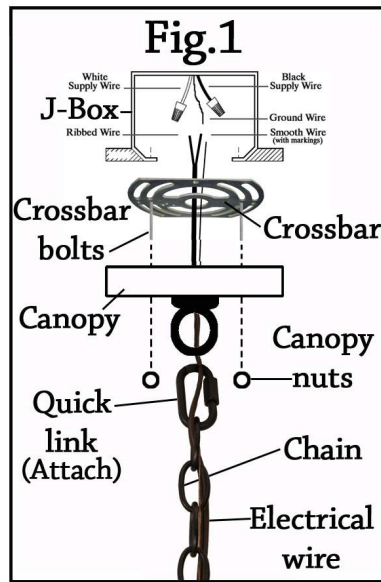


# ASSEMBLY INSTRUCTIONS FOR # 179889



## IMPORTANT

TURN OFF THE POWER AT THE MAIN FUSE OR  
CIRCUIT BREAKER BOX BEFORE STARTING  
INSTALLATION

CAREFULLY UNPACK AND IDENTIFY ALL  
PARTS BEFORE ASSEMBLY. BULBS ARE NOT  
INCLUDED

You may install lens before attaching fixture to ceiling. To  
install lens first, skip to step 4.

- 1.) Attach your crossbar to ceiling or J-Box. (Fig.1)
- 2.) Attach the appropriate amount of chain to the fixture  
loop using the quick link. (Main diagram) Attach the  
other end to the canopy. (Fig.1)
- 3.) Run your electrical wires up the length of chain and  
through the canopy. Bring canopy/fixture to ceiling and  
connect electrical wires as per your local electrical code.  
Slide the canopy up onto the crossbar bolts, and secure  
canopy flush to ceiling by screwing the canopy nuts onto  
the crossbar bolts. (Fig.1)
- 4.) Installing the lense: The acrylic is installed by sliding  
the top into the 3/4" top channel then dropping the  
bottom edge into the bottom 1/4" channel. Clear acrylic  
can be applied in the corners at installers discretion.  
Carefully hold the lens in the center with both hands, (as  
you would clap your hands). Insert the top of your lense  
into the groove as seen in circle A. Pivot the lens so that  
it is parallel to the frame sides. Carefully let the lens slide  
into the bottom groove as seen in circle B.
- 5.) Bulb your fixture, (bulbs provided by others). Power  
on, enjoy your new fixture!



*"A Commitment to Excellence in Lighting and Service"*

CALL OUR CUSTOMER SERVICE DEPARTMENT AT 1-800-222-4009

MONDAY - FRIDAY 8:00a.m - 6:00p.m ET

visit us on the web at [www.meyda.com](http://www.meyda.com)