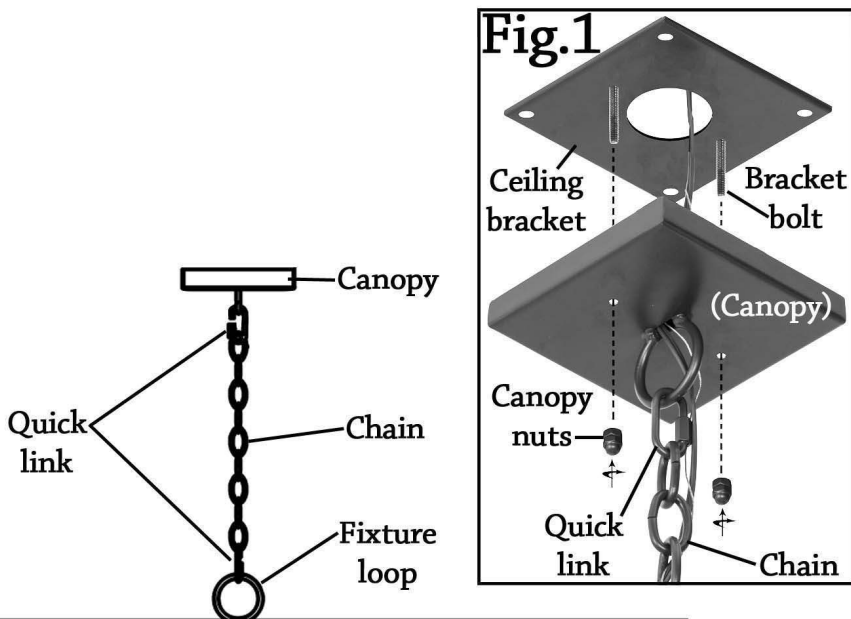


THIS FIXTURE WEIGHS OVER 70 LBS.

0700 09/07/16

NEC:314.27B, A luminaire that weighs more than 23kg (50lbs.) shall be supported independently of the outlet box unless the outlet box is listed AND MARKED for the MAXIMUM WEIGHT to be supported.

ASSEMBLY INSTRUCTIONS FOR # 179884



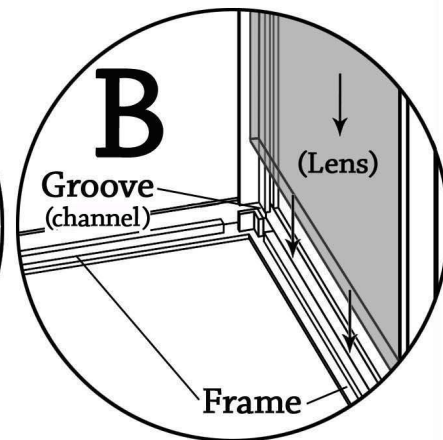
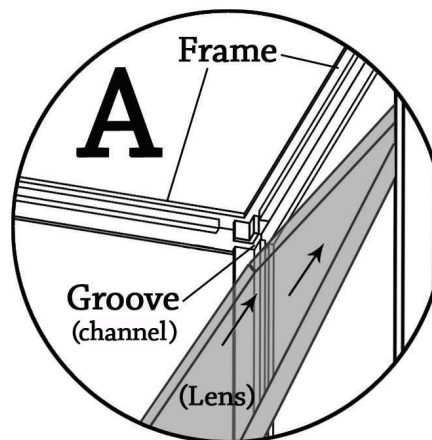
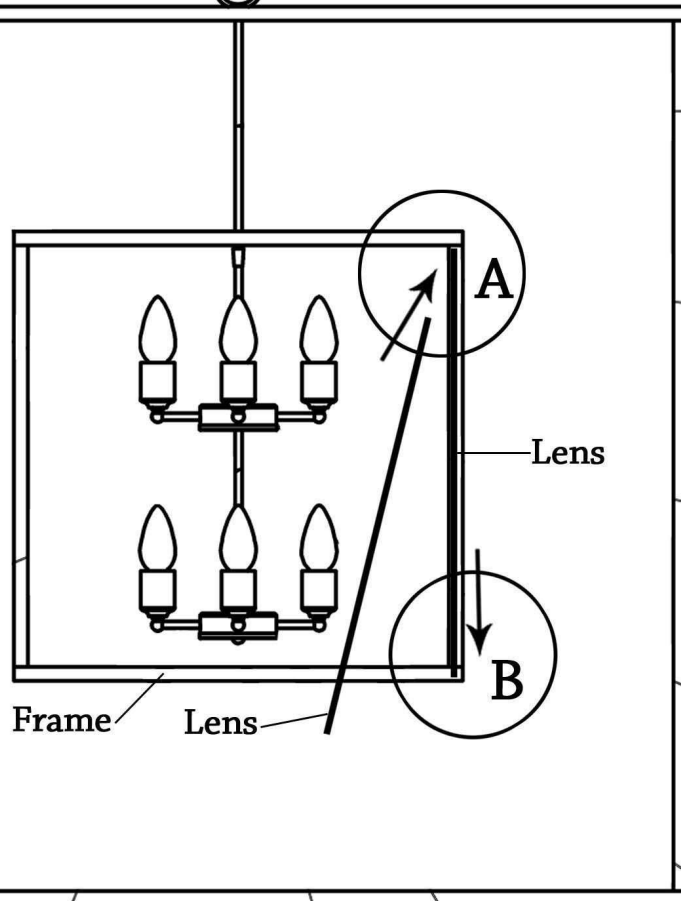
IMPORTANT

TURN OFF THE POWER AT THE MAIN FUSE OR CIRCUIT BREAKER BOX BEFORE STARTING INSTALLATION

CAREFULLY UNPACK AND IDENTIFY ALL PARTS BEFORE ASSEMBLY. BULBS ARE NOT INCLUDED

You may install lens before attaching fixture to ceiling. To install lens first, skip to step 4.

- 1.) Attach your crossbar to ceiling or J-Box. (Fig.1)
- 2.) Attach the appropriate amount of chain to the fixture loop using the quick link. (Main diagram) Attach the other end to the canopy. (Fig.1)
- 3.) Run your electrical wires up the length of chain and through the canopy. Bring canopy/fixture to ceiling and connect electrical wires as per your local electrical code. Slide the canopy up onto the bracket bolts, and secure canopy flush to ceiling by screwing the canopy nuts onto the bracket bolts. (Fig.1)
- 4.) Installing the lense: The acrylic is installed by sliding the top into the 3/4" top channel then dropping the bottom edge into the bottom 1/4" channel. Clear acrylic can be applied in the corners at installers discretion. Carefully hold the lens in the center with both hands, (as you would clap your hands). Insert the top of your lense into the groove as seen in circle A. Pivot the lens so that it is parallel to the frame sides. Carefully let the lens slide into the bottom groove as seen in circle B.
- 5.) Bulb your fixture, (bulbs provided by others). Power on, enjoy your new fixture!



"A Commitment to Excellence in Lighting and Service"

CALL OUR CUSTOMER SERVICE DEPARTMENT AT 1-800-222-4009

MONDAY - FRIDAY 8:00a.m - 6:00p.m ET

visit us on the web at www.meyda.com