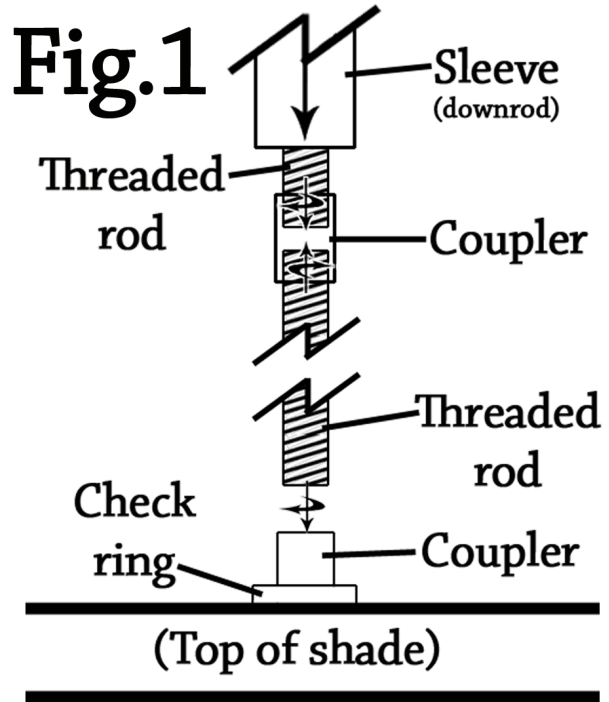


THIS FIXTURE WEIGHS OVER 50 LBS.

0700 09/06/16

NEC:314.27B, A luminaire that weighs more than 23kg (50lbs.) shall be supported independently of the outlet box unless the outlet box is listed AND MARKED for the MAXIMUM WEIGHT to be supported.

ASSEMBLY INSTRUCTIONS FOR #179808



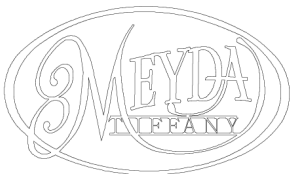
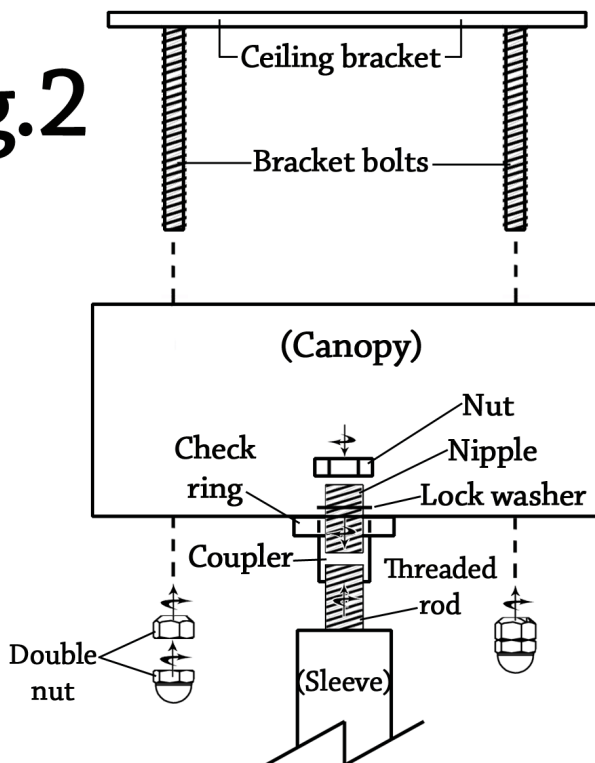
IMPORTANT

TURN OFF THE POWER AT THE MAIN FUSE OR CIRCUIT BREAKER BOX BEFORE STARTING INSTALLATION

CAREFULLY UNPACK AND IDENTIFY ALL PARTS BEFORE ASSEMBLY. BULBS ARE NOT INCLUDED

- 1.) Assemble fixture: On the top, and in the center of shade you will find a coupler and check ring. After running your electrical wires through threaded pipe, screw your threaded rod into coupler. Next screw another coupler onto that threaded rod. Screw the other threaded rod into this same coupler. Screw another coupler onto the top of your top threaded rod. Screw a nipple into the top coupler. Electrical wires should be run through both of the threaded rods. Run the wires through the sleeve as well. (Fig.1)
- 2.) Slide your sleeve down onto the length of threaded rods, so that it rests within the check ring. (Fig.1) Cap off the top of your sleeve with a another check ring, canopy, lock washer, & nut. Screw the nut down tight onto the nipple. (Fig.2)
- 3.) Attach the ceiling bracket to the ceiling, do not attach bracket to J-Box. Bring fixture to ceiling, and connect all electrical wires as per your local electrical code. Slide canopy up onto the ceiling bracket's bolts. Secure canopy flush to ceiling by screwing the double nuts onto the bracket bolts. (Fig.2)
- 4.) Bulb your fixture at this time, (bulbs provided by others). Power on, enjoy your new fixture!

Fig. 2



"A Commitment to Excellence in Lighting and Service"

CALL OUR CUSTOMER SERVICE DEPARTMENT AT 1-800-222-4009

MONDAY - FRIDAY 8:00a.m - 6:00p.m ET

visit us on the web at www.meyda.com