

# INSTALLATION INSTRUCTIONS

FOR ITEM 175124 CRYSTAL CURTAIN

*Meyda*  
CUSTOM LIGHTING

**CAUTION: FAILURE TO INSTALL THIS FIXTURE PROPERLY MAY RESULT IN SERIOUS PERSONAL INJURY OR DEATH AND PROPERTY DAMAGE.** We recommend installation by a licensed electrician. This product must be installed in accordance with applicable installation code(s), by a person familiar with the construction and operation of the product and the hazards involved.\*

**Caution:** Do not exceed maximum wattage noted on fixture. Use only recommended bulbs with fixture.

## FIXTURE COMPONENTS

1. UPPER ASSEMBLY (QTY 2)
2. LOWER ASSEMBLY (QTY 2)
3. CRYSTAL STRAND (QTY 26)
4. SPRING (QTY 26)
5. SPRING LOOP w/ HOOK (QTY 26)
6. SPRING HOUSING (QTY 26)
7. TURNBUCKLE (QTY 26)

**Caution: Be sure power is off at the main breaker box prior to installation. Read all instructions in their entirety before beginning installation.**

1. Carefully unpack all components and make certain that everything is accounted for.
2. Remove Acorn and Hex Nuts from interior of Upper Assembly to release Ceiling Mounting Plate. (FIG A.)
3. Attach Ceiling Mounting Plate to structure ensuring that connection is suitable for minimum of 75lbs.
4. Make electrical connection for Upper Assembly following all Local Codes and Procedures.
5. Slide Upper Assembly over Studs on Ceiling Mounting Plate and secure using Hex and Acorn Nuts.
6. Make electrical connection for Lower Assembly following all Local Codes and Procedures.
7. Twist clockwise Cover Plates on Lower Assembly Mounting Arms to release and slide up Arm to expose Lower Assembly Mounting Plates. (FIG B.)
8. Attach Lower Assembly to wall ensuring that connection is suitable for minimum of 50lbs. (FIG C.)
9. Slide Cover Plates down Arms and over Mounting Plates. Twist counter-clockwise to lock into place.

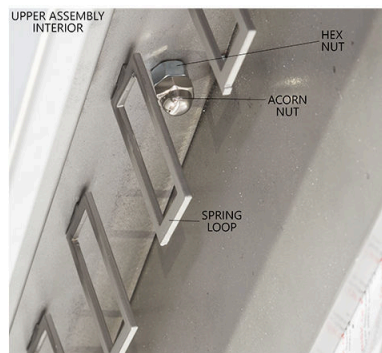


FIG A.



FIG B.

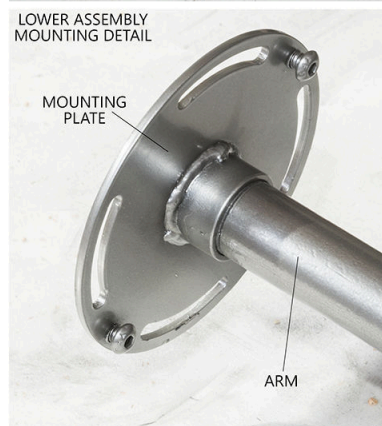


FIG C.



# INSTALLATION INSTRUCTIONS

FOR 175124 CRYSTAL CURTAIN

*Meyda*  
CUSTOM LIGHTING

**CAUTION: FAILURE TO INSTALL THIS FIXTURE PROPERLY MAY RESULT IN SERIOUS PERSONAL INJURY OR DEATH AND PROPERTY DAMAGE.** We recommend installation by a licensed electrician. This product must be installed in accordance with applicable installation code(s), by a person familiar with the construction and operation of the product and the hazards involved.\*

**Caution:** Do not exceed maximum wattage noted on fixture. Use only recommended bulbs with fixture.

**Caution: Be sure power is off at the main breaker box prior to installation. Read all instructions in their entirety before beginning installation.**

10. Assemble Upper Crystal Strand Attachment Hardware.

11. Insert Spring into Spring Housing.

12. Insert Spring Housing with Spring into Spring Loop w/ Hook. (FIG D.)

13. Slide assembled Attachment Hardware, with Hook facing down, into existing Spring Loops on inside of Upper Assembly. (FIG E.)

14. Attach Crystal Strand to Hook on Attachment Hardware. (FIG F.)

15. Run Crystal Strand around Light Bar of Upper Assembly ensuring to feed Strand Wire into Slot on front facing side of Light Housing.

16. Attach Turnbuckle Hook to Loop on loose end of Crystal Strand. (FIG G.)

17. Slide Turnbuckle Screw into slot inside of Lower Assembly. (FIG H.)

18. Adjust Turnbuckle as necessary to achieve desired Crystal Strand rigidity.

19. Repeat steps 10-18 for remaining Crystal Stands.

20. Install 2 Bi-Pin T8 LED 6Watt Bulbs(not included).

21. Power on and ENJOY!!!

