

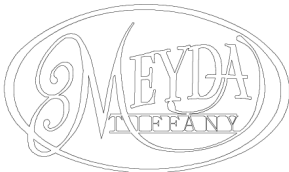
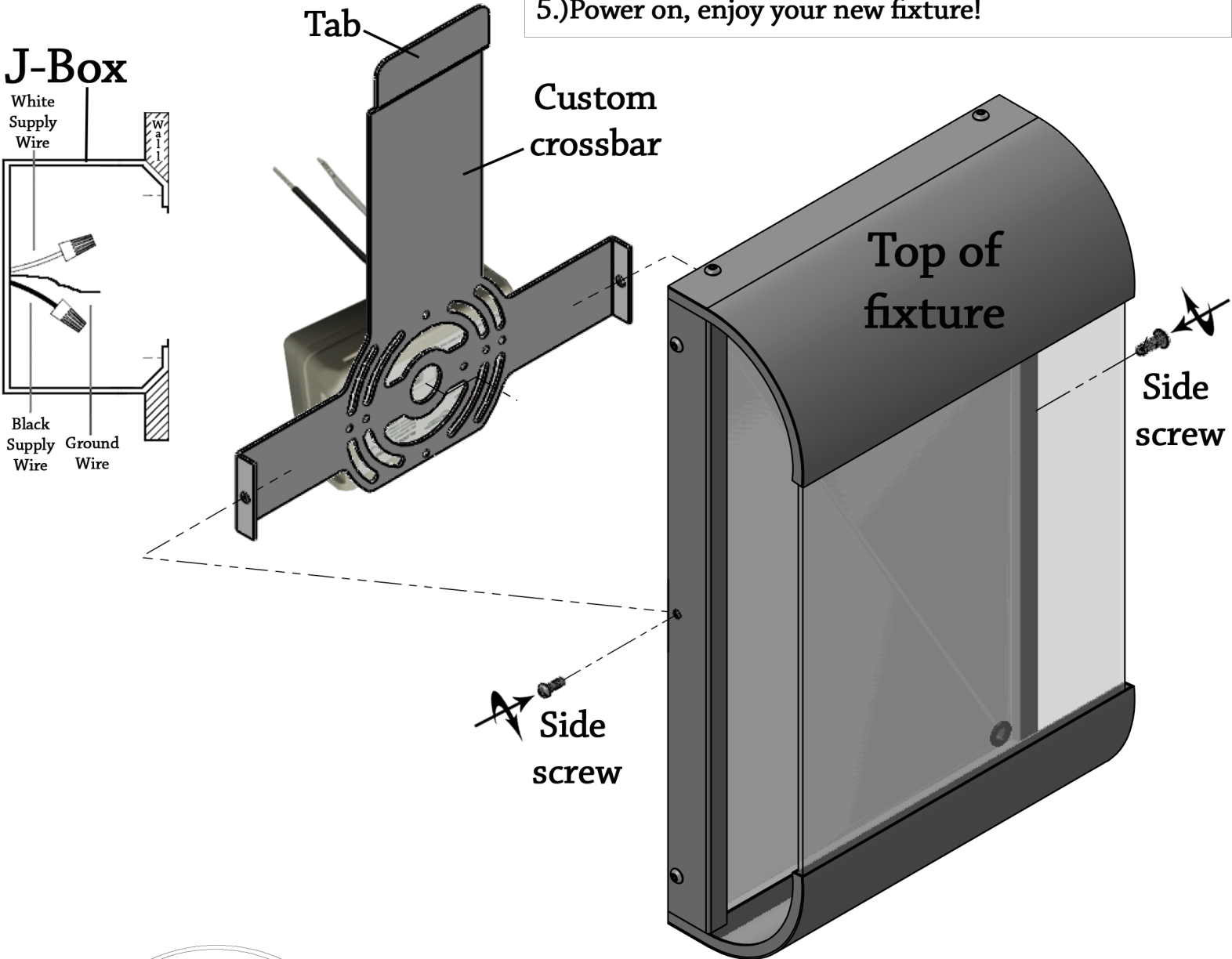
# ASSEMBLY INSTRUCTIONS FOR #174020

## IMPORTANT

TURN OFF THE POWER AT THE MAIN FUSE OR CIRCUIT BREAKER BOX BEFORE STARTING INSTALLATION

CAREFULLY UNPACK AND IDENTIFY ALL PARTS BEFORE ASSEMBLY. BULBS ARE NOT INCLUDED

- 1.) Remove custom crossbar from fixture, and attach crossbar to wall or J-Box.
- 2.) Connect all wires as per your local codes.
- 3.) Hook the top of sconce onto the top of custom crossbar's tab.
- 4.) Pivot the shade down onto the rest of the crossbar. Secure in position, flush to wall, by screwing the two side screws into the sconce and crossbar.
- 5.) Power on, enjoy your new fixture!



*"A Commitment to Excellence in Lighting and Service"*

CALL OUR CUSTOMER SERVICE DEPARTMENT AT 1-800-222-4009

MONDAY - FRIDAY 8:00a.m - 6:00p.m ET

visit us on the web at [www.meyda.com](http://www.meyda.com)