

# ASSEMBLY INSTRUCTIONS FOR #171612

0737 04/09/13  
0700 01/7/16

FIG. A

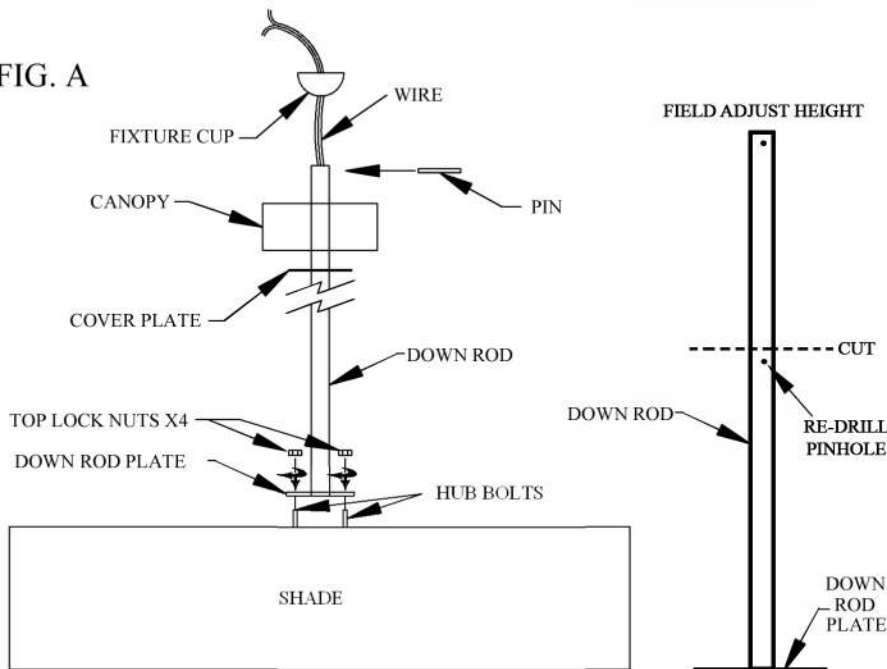


FIG. B

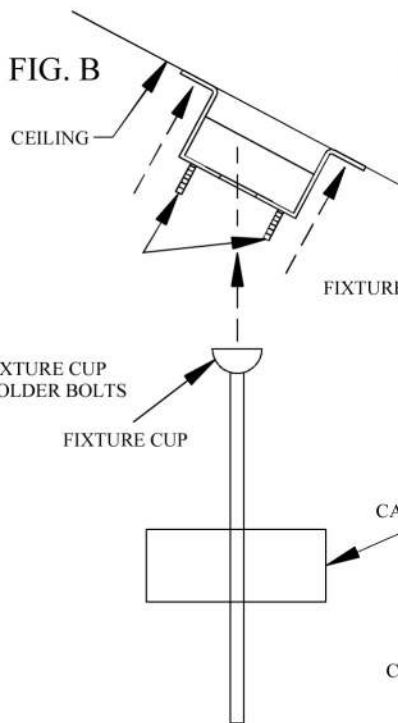


FIG. C

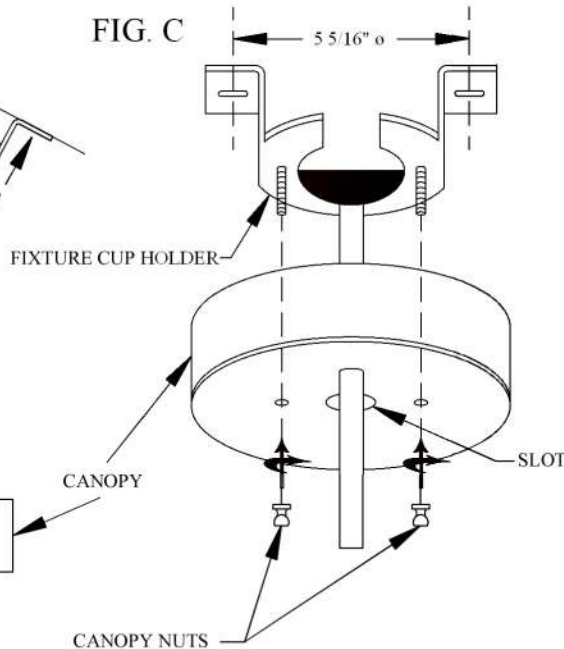
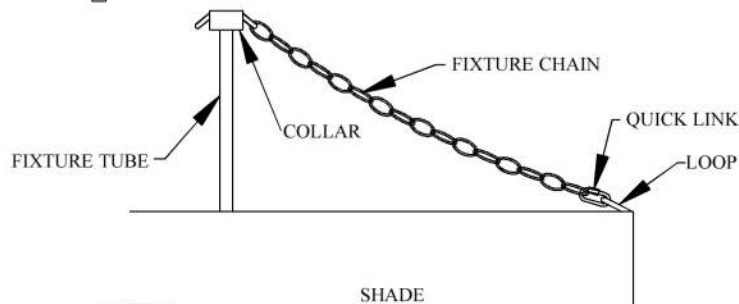


FIG. D



## IMPORTANT

TURN OFF THE POWER AT THE MAIN FUSE OR CIRCUIT BREAKER BOX BEFORE STARTING INSTALLATION

CAREFULLY UNPACK AND IDENTIFY ALL PARTS BEFORE ASSEMBLY. BULBS ARE NOT INCLUDED

THIS FIXTURE WEIGHS OVER 50 LBS. NEC:314.27B, A luminaire that weighs more than 23kg (50lb) shall be supported independently of the outlet box unless the outlet box is listed AND MARKED for the MAXIMUM weight supported.

### THIS IS A TWO PERSON JOB

- 1.) ATTACH FIXTURE CUP HOLDER TO A SECURE LOCATION USEING FASTENERS SUPPLIED BY OTHERS. FIG. B
- 2.) CUT DOWN ROD TO DETERMINED LENGTH BY MEASURING UP FROM DOWN ROD PLATE.
- 3.) REDRILL A 1/4" HOLE 1/4" DOWN FROM CUT EDGE OF DOWN ROD.
- 2.) FEED WIRES THROUGH DOWN ROD. PLACE DOWN ROD PLATE ONTO HUB BOLTS (4) AND TIGHTEN WITH LOCK NUTS PROVIDED FIG. A.

#### FOR SLANTED CEILING

- 3.) SLIDE CANOPY ONTO DOWN ROD FIG. A
- 4.) PLACE FIXTURE CUP ONTO DOWN ROD. INSERT PIN INTO END OF DOWN ROD MAKING SURE PIN IS CENTERED TO ENSURE PROPER SEATING INTO FIXTURE CUP. FIG. A
- 5.) HANG FIXTURE BY SLIDING FIXTURE CUP THROUGH SLOT IN FIXTURE CUP HOLDER. FIG. B
- 6.) WIRE AS PER LOCAL ELECTRICAL CODES.
- 7.) ATTACH CANOPY FASTENING WITH CANOPY NUTS PROVIDED. FIG. C

#### FOR FLAT CEILING

- 8.) FEED WIRES THROUGH DOWN ROD. PLACE DOWN ROD PLATE ONTO HUB BOLTS (4) AND TIGHTEN WITH LOCK NUTS PROVIDED FIG. A.)
- 9.) SLIDE COVER PLATE THEN CANOPY OVER DOWN ROD. FIG. A
- 10.) PLACE FIXTURE CUP ONTO DOWN ROD. INSERT PIN INTO END OF DOWN ROD MAKING SURE PIN IS CENTERED TO ENSURE PROPER SEATING INTO FIXTURE CUP. FIG. A
- 11.) HANG FIXTURE BY SLIDING FIXTURE CUP THROUGH SLOT IN FIXTURE CUP HOLDER. FIG. B
- 12.) WIRE AS PER LOCAL ELECTRICAL CODES.
- 13.) ATTACH CANOPY AND COVER PLATE, FASTENING WITH CANOPY NUTS PROVIDED. FIG. C.
- 14.) SLIDE COLLAR DOWN FIXTURE TUBE, ATTACH CHAIN TO LOOP OF SHADE WITH QUICK LINK. SLIDE COLLAR UP TO TIGHTEN CHAIN. TIGHTEN COLLAR.

*"A Commitment to Excellence in Lighting and Service"*

CALL OUR CUSTOMER SERVICE DEPARTMENT AT 1-800-222-4009

MONDAY - FRIDAY 8:00a.m - 6:00p.m ET

visit us on the web at [www.meyda.com](http://www.meyda.com)