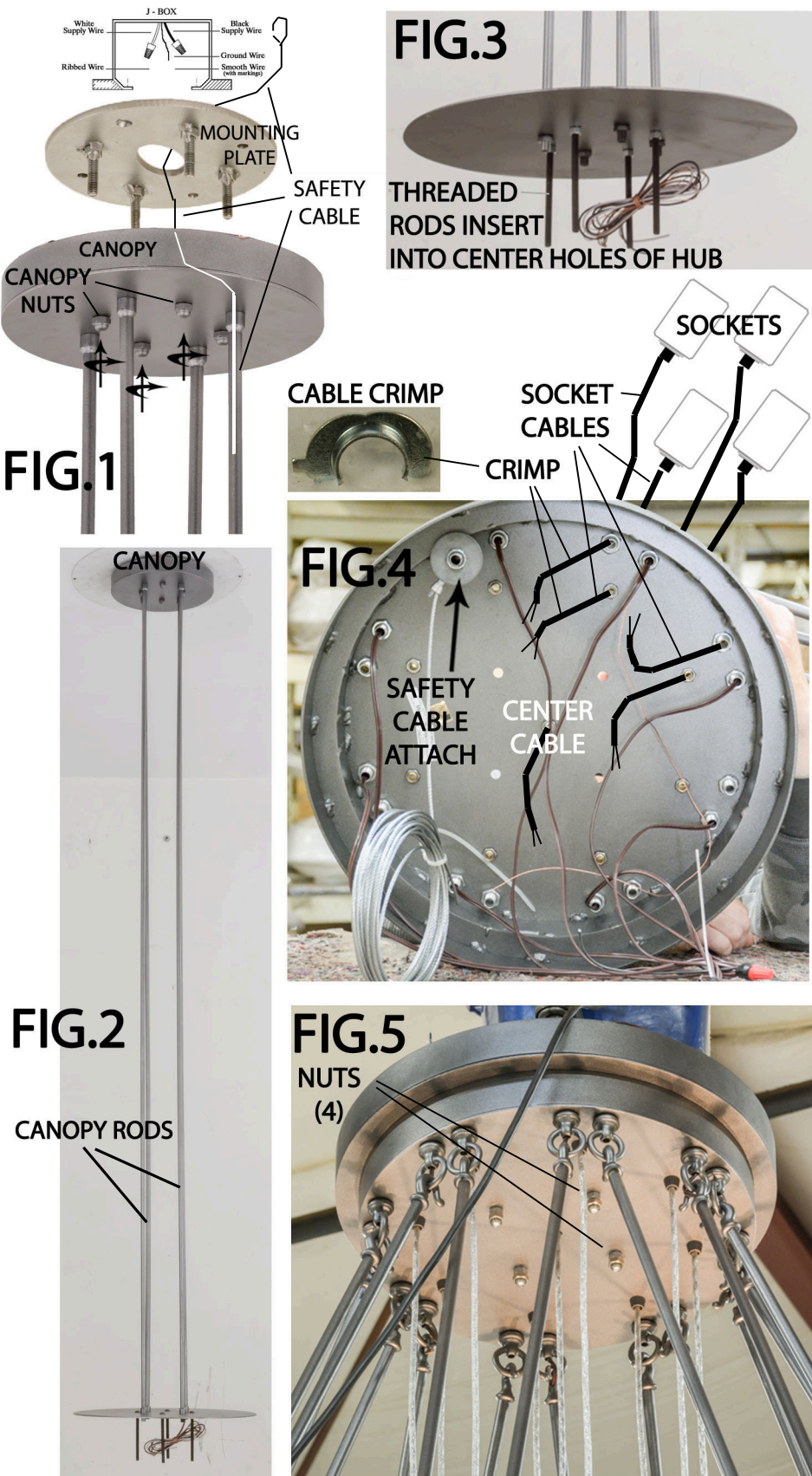


# ASSEMBLY INSTRUCTIONS FOR # 158292



## IMPORTANT

TURN OFF THE POWER AT THE MAIN FUSE OR CIRCUIT BREAKER BOX BEFORE STARTING INSTALLATION

CAREFULLY UNPACK AND IDENTIFY ALL PARTS BEFORE ASSEMBLY. BULBS ARE NOT INCLUDED

THIS FIXTURE WEIGHS OVER 50 LBS. NEC:314.27B, A luminaire that weighs more than 23kg (50lb) shall be supported independently of the outlet box unless the outlet box is listed AND MARKED for the MAXIMUM weight to be supported.

- 1) ATTACH MOUNTING PLATE TO CEILING. (FIG.1) DO NOT ATTACH TO J-BOX SEE WARNING ABOVE.
- 2) WIRE AS PER LOCAL ELECTRICAL CODES.
- 3) ATTACH SAFETY CABLE TO THE CEILING WHICH WILL RUN TO THE HUB. (FIG.1)
- 4) SECURE CANOPY INTO PLACE WITH CANOPY NUTS. (FIG.1) FIXTURE SHOULD LOOK LIKE FIG.2 AT THIS TIME.
- 5) INSERT SOCKET CABLES IN THROUGH THE UNDERSIDE OF HUB USING HOLES PROVIDED, DO NOT USE CENTER FOUR HOLES. ADJUST TO DESIRED HEIGHT & CRIMP CABLES (FIG.4), A NOTE ABOUT HEIGHT: IT IS 90" FROM TOP OF HUB TO BOTTOM OF LARGE SHADE. (FIG.6 PG.2) BE SURE OF HEIGHT BEFORE CUTTING EXCESS!!
- 6) MAKE ALL WIRE CONNECTIONS W/ CANOPY RODS & SOCKET CABLES, INSIDE HUB, ACCORDING TO LOCAL CODES.
- 7) ATTACH SAFETY CABLE TO HUB (FIG.4)
- 8) ATTACH HUB TO CANOPY & RODS, SECURE WITH PROVIDED NUTS. (FIG.3&5)
- 9) HANG THE ARMS FROM THE HUB. (FIG.5)



*"A Commitment to Excellence in Lighting and Service"*

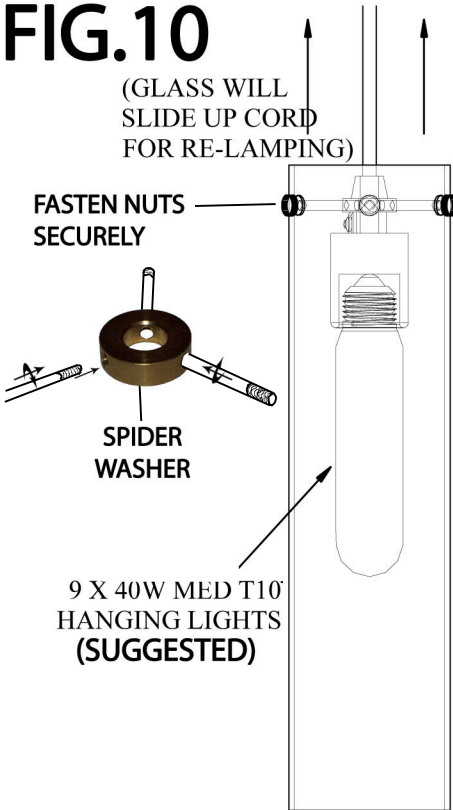
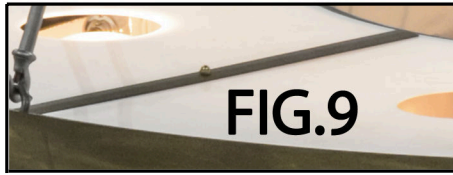
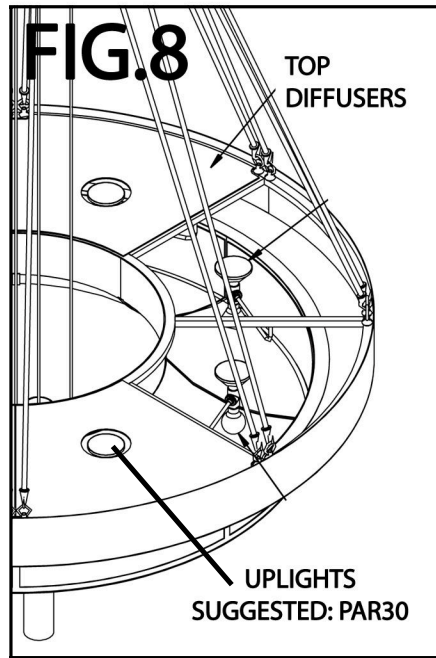
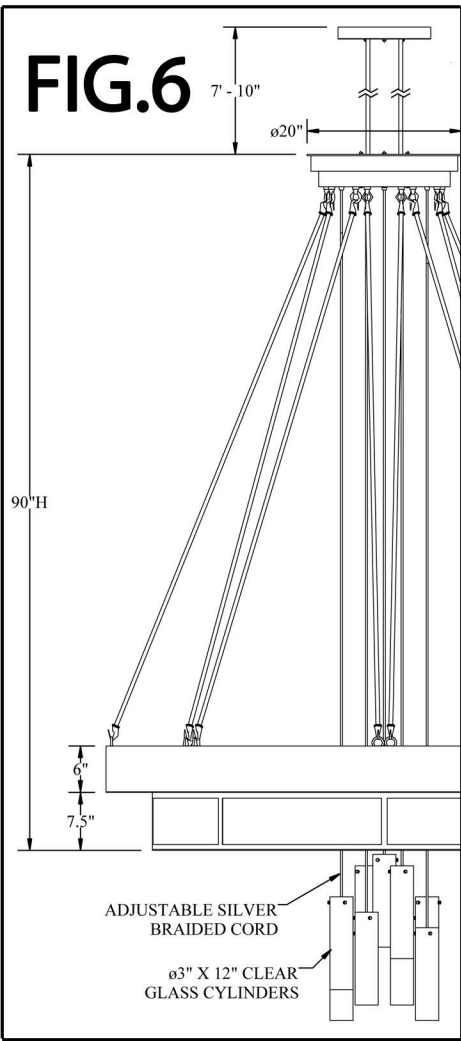
CALL OUR CUSTOMER SERVICE DEPARTMENT AT 1-800-222-4009

MONDAY - FRIDAY 8:00 a.m. - 6:00 p.m. ET

visit us on the web at [www.meyda.com](http://www.meyda.com)



# ASSEMBLY INSTRUCTIONS FOR #158292



**IMPORTANT**  
 TURN OFF THE POWER AT THE MAIN FUSE OR CIRCUIT BREAKER BOX BEFORE STARTING INSTALLATION

CAREFULLY UNPACK AND IDENTIFY ALL PARTS BEFORE ASSEMBLY. BULBS ARE NOT INCLUDED

- 10) YOU MAY BULB LARGE SHADE BEFORE OR AFTER YOU RAISE IT TO THE ARMS.
- 11) ONCE LARGE SHADE IS LIFTED INTO PLACE & HANGING FROM ARMS MAKE ALL ELECTRICAL CONNECTIONS USING PLUGS PROVIDED. (FIG. 7)
- 12) ONCE LARGE SHADE IS BULBED, CONNECTED, & HANGING FROM ARMS YOU MAY PUT TOP DIFFUSERS INTO PLACE SECURING WITH METAL STRIPS AND SCREWS PROVIDED. (FIG. 9)
- 13) TAKE THE SPIDER WASHER AND SCREW THE GLASS SHADE RODS INTO IT (YOU MAY NEED TO PASS IT THROUGH THE GLASS SHADE HOLES TO FIT THEM PROPERLY. SECURE THE SHADES WITH THE SHADE NUTS PROVIDED.
- 14) TURN ON YOUR NEW FIXTURE, ENJOY! AND HAVE A MEYDA FINE DAY!



*"A Commitment to Excellence in Lighting and Service"*

CALL OUR CUSTOMER SERVICE DEPARTMENT AT 1-800-222-4009  
 MONDAY - FRIDAY 8:00 a.m. - 6:00 p.m. ET  
 visit us on the web at [www.meyda.com](http://www.meyda.com)