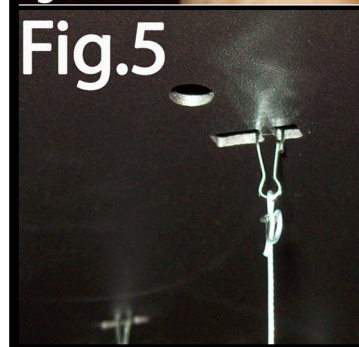
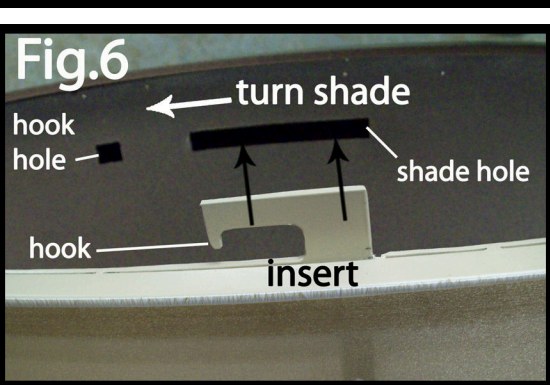
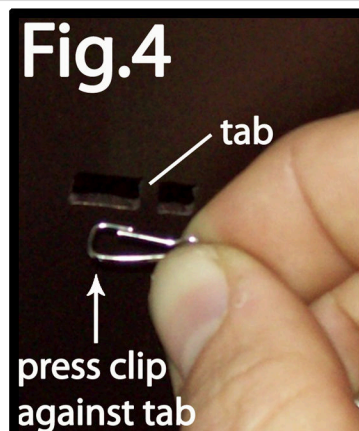
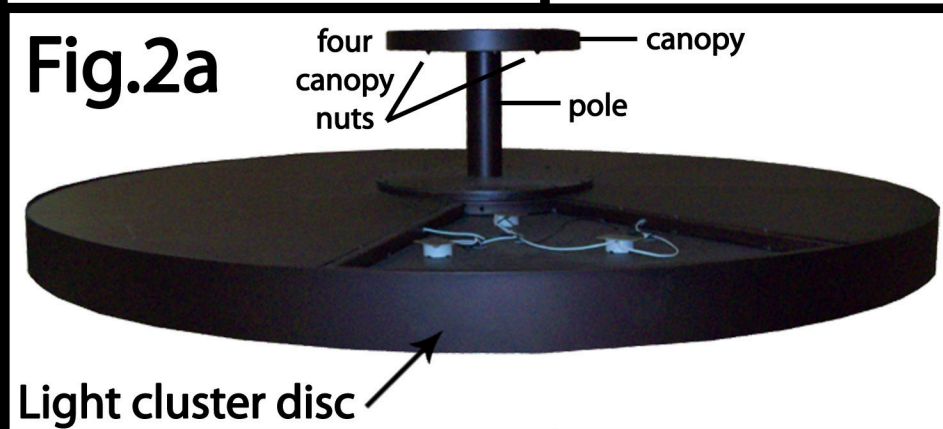
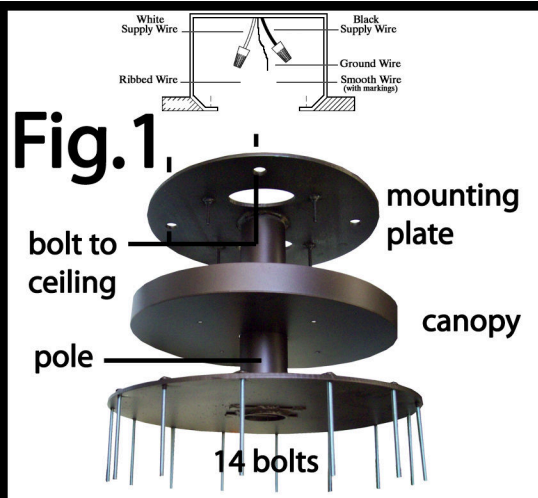


ASSEMBLY INSTRUCTIONS FOR #158190



IMPORTANT

TURN OFF THE POWER AT THE MAIN FUSE OR CIRCUIT BREAKER BOX BEFORE STARTING INSTALLATION

CAREFULLY UNPACK AND IDENTIFY ALL PARTS BEFORE ASSEMBLY. BULBS ARE NOT INCLUDED

THIS FIXTURE WEIGHS OVER 50 LBS. NEC:314.27B, A luminaire that weighs more than 23kg (50lb) shall be supported independently of the outlet box unless the outlet box is listed AND MARKED for the MAXIMUM weight to be supported.

SPECIAL NOTE: Figure 1 shows light cluster disc is not attached, you will receive fixture with light cluster disc attached to canopy unit as seen in Figure 2a.

1. Hang the hardware. You must bolt the mounting plate to the ceiling. Make your electrical wire connections as per local codes. Slide canopy up the pole and onto the four bolts pointing down. (Fig.1) Secure with nuts provided. (Fig.2)

2. Your light cluster disc and canopy should be connected to the ceiling & wires as well. (Fig.2a)

3. You may place your light bulbs at this time.

4. Hang string of glass bulbs. Match the stickers to the boxes and hang matching string of bulbs in a circle at that sticker. (Fig.3) When hanging bulb strings, start in the center of the disc and work your way out. Take clip at the end of bulb string and press against tab to connect. (Fig.4&5)

5. When all bulbs are connected you are ready to place shade. You will need 3 people for this. Raise shade to light cluster disc, match up the holes as seen in Fig.6. Raise shade into shade holes and everyone will turn shade to the left, so that the shade hook will rest into the hook hole.



"A Commitment to Excellence in Lighting and Service"

CALL OUR CUSTOMER SERVICE DEPARTMENT AT 1-800-222-4009

MONDAY - FRIDAY 8:00 a.m. - 6:00 p.m. ET

visit us on the web at www.meyda.com