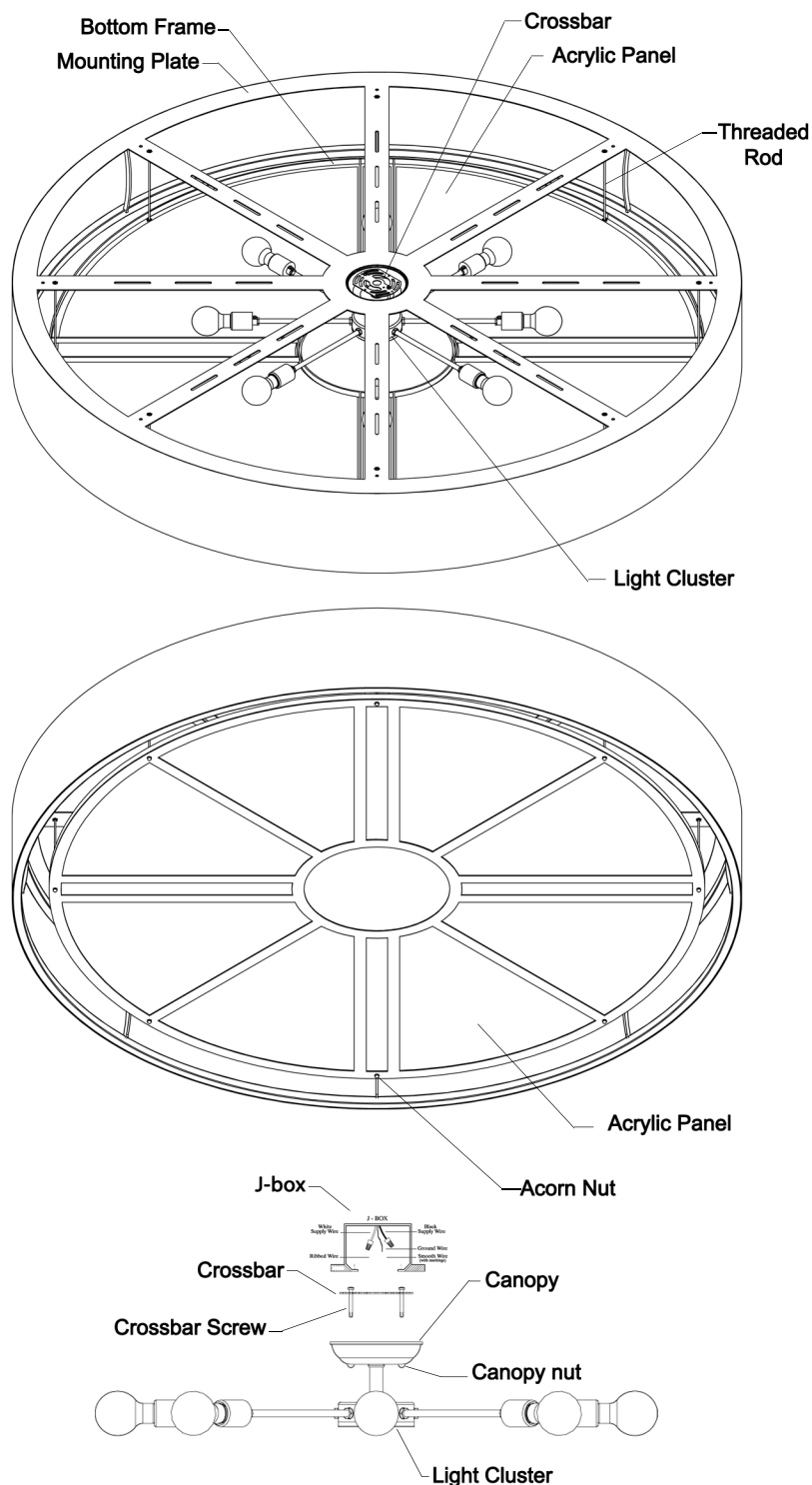


ASSEMBLY INSTRUCTIONS FOR #155395



IMPORTANT

TURN OFF THE POWER AT THE MAIN FUSE OR CIRCUIT BREAKER BOX BEFORE STARTING INSTALLATION

CAREFULLY UNPACK AND IDENTIFY ALL PARTS BEFORE ASSEMBLY. BULBS ARE NOT INCLUDED

- 1.) Mount crossbar to j-box using customer provided screws.
- 2.) Wire as per local electrical codes.
- 3.) Secure canopy to crossbar screws using canopy nuts provided.
- 4.) Center mounting plate around canopy and mount to secure location using customer provided screws.
- 5.) Install acrylic panels into bottom frame and secure the large sections with nuts, provided.
- 6.) Install light bulbs into light cluster.
- 7.) Raise up bottom frame and align holes on frame to threaded rods on mounting plate.
- 8.) Secure bottom frame to threaded rods with acorn nuts provided.
- 9.) Turn on your new fixture, enjoy, and have a Meyda fine day.



"A Commitment to Excellence in Lighting and Service"

CALL OUR CUSTOMER SERVICE DEPARTMENT AT 1-800-222-4009

MONDAY - FRIDAY 8:00 a.m. - 6:00 p.m. ET

visit us on the web at www.meyda.com