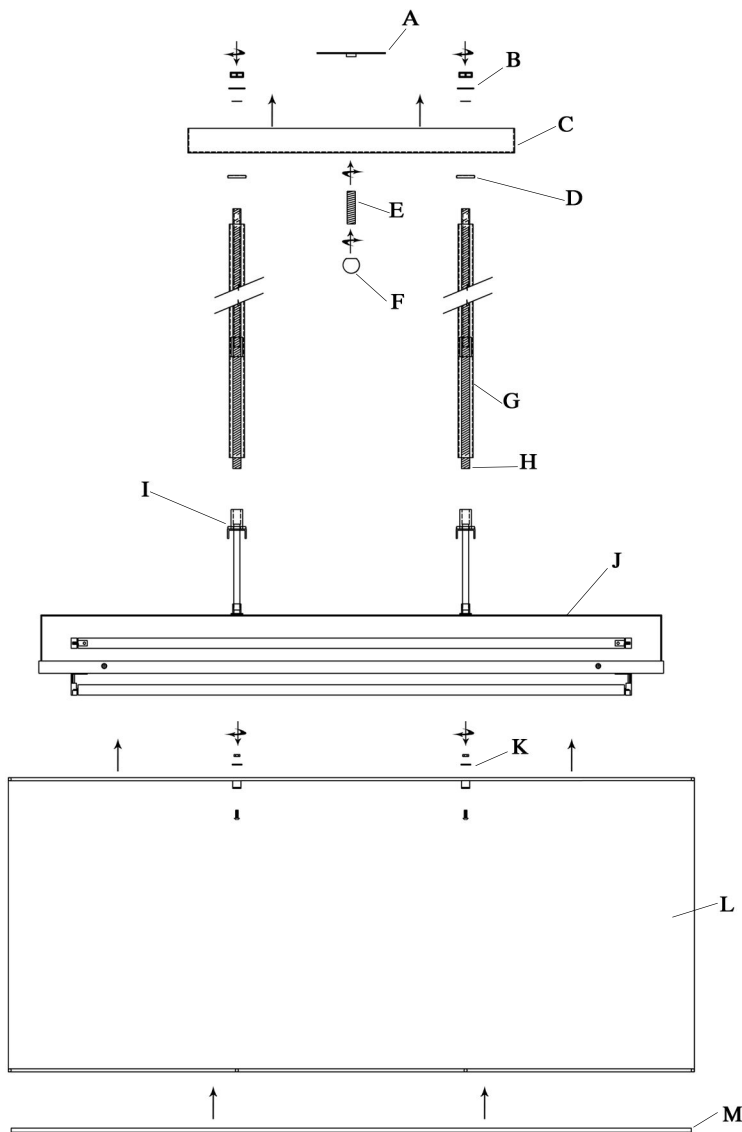


ASSEMBLY INSTRUCTIONS FOR #154158



IMPORTANT

TURN OFF THE POWER AT THE MAIN FUSE OR CIRCUIT BREAKER BOX BEFORE STARTING INSTALLATION

CAREFULLY UNPACK AND IDENTIFY ALL PARTS BEFORE ASSEMBLY. BULBS ARE NOT INCLUDED

- 1.) Mount cross bar (A) to j-box using customer provided screws.
- 2.) Screw threaded rods (H) into couplings on top of shade frame (I). FIG.A
- 3.) Place metal sleeves (G) and check rings (D) onto threaded rods (H).
- 4.) Place Canopy (C) onto threaded rods (H) and secure with washers and nuts (B) provided.
- 5.) Screw thread nipple (E) into cross bar (A).
- 6.) Raise up canopy to ceiling, wire as per local electrical codes, and secure with ball nut (F).
- 7.) Install light bulbs.
- 8.) Place acrylic diffuser (M) into fabric shade (L).
- 9.) Attach fabric shade (L) to shade frame(I) using screws, washers, and nuts (K), provided. FIG.B

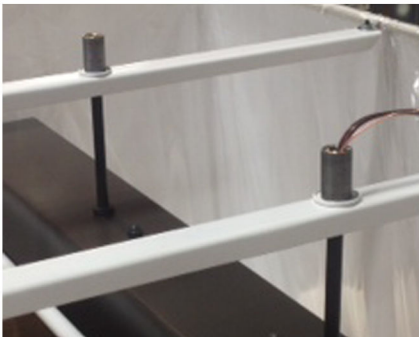


FIG. A



FIG. B



"A Commitment to Excellence in Lighting and Service"

CALL OUR CUSTOMER SERVICE DEPARTMENT AT 1-800-222-4009

MONDAY - FRIDAY 8:00 a.m. - 6:00 p.m. ET

visit us on the web at www.meyda.com