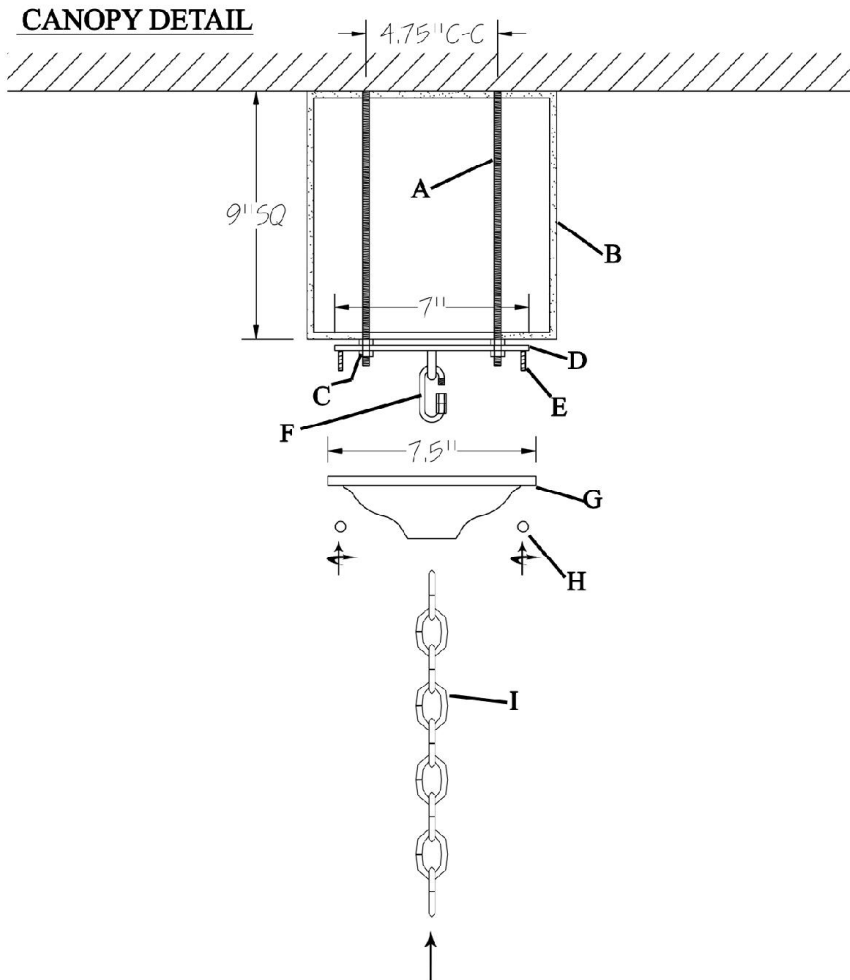
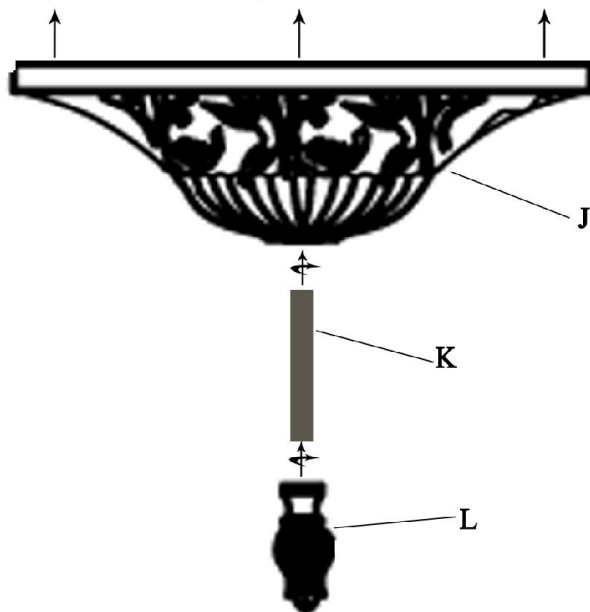


# ASSEMBLY INSTRUCTIONS FOR #153398



**BOTTOM FINIAL DETAIL**



## IMPORTANT

TURN OFF THE POWER AT THE MAIN FUSE OR CIRCUIT BREAKER BOX BEFORE STARTING INSTALLATION

CAREFULLY UNPACK AND IDENTIFY ALL PARTS BEFORE ASSEMBLY. BULBS ARE NOT INCLUDED

THIS FIXTURE WEIGHS OVER 50 LBS. NEC:314.27B, A luminaire that weighs more than 23kg (50lb) shall be supported independently of the outlet box unless the outlet box is listed AND MARKED for the MAXIMUM weight to be supported.

### CANOPY DETAIL

- 1.) Screw (1) 1/4-20 mounting nut (C) onto each of the customer supplied 1/4-20 threaded rods (A) so that they are flush with the bottom of customer supplied blocking (B).
- 2.) Place mounting plate (D) onto customer supplied threaded rods (A) and secure with 1/4-20 mounting nuts (C).
- 3.) Place canopy (G) onto fixture chain (I).
- 4.) Thread electrical wires up fixture chain (I), through canopy (G) and wire as per local electrical codes.
- 5.) Attach fixture chain (I) to loop on mounting plate (D) using quick link (F).
- 6.) Slide canopy (G) back up fixture chain (I) and secure to mounting plate (D) by screwing canopy nuts (H) onto canopy screws (E).

### BOTTOM FINIAL DETAIL

- 1.) Place bottom cap (J) up to bottom hub of the crystal chandelier.
- 2.) Screw nipple (K) into the coupling inside of the bottom hub.
- 3.) secure with finial nut (L).



*"A Commitment to Excellence in Lighting and Service"*

CALL OUR CUSTOMER SERVICE DEPARTMENT AT 1-800-222-4009

MONDAY - FRIDAY 8:00 a.m. - 6:00 p.m. ET

visit us on the web at [www.meyda.com](http://www.meyda.com)