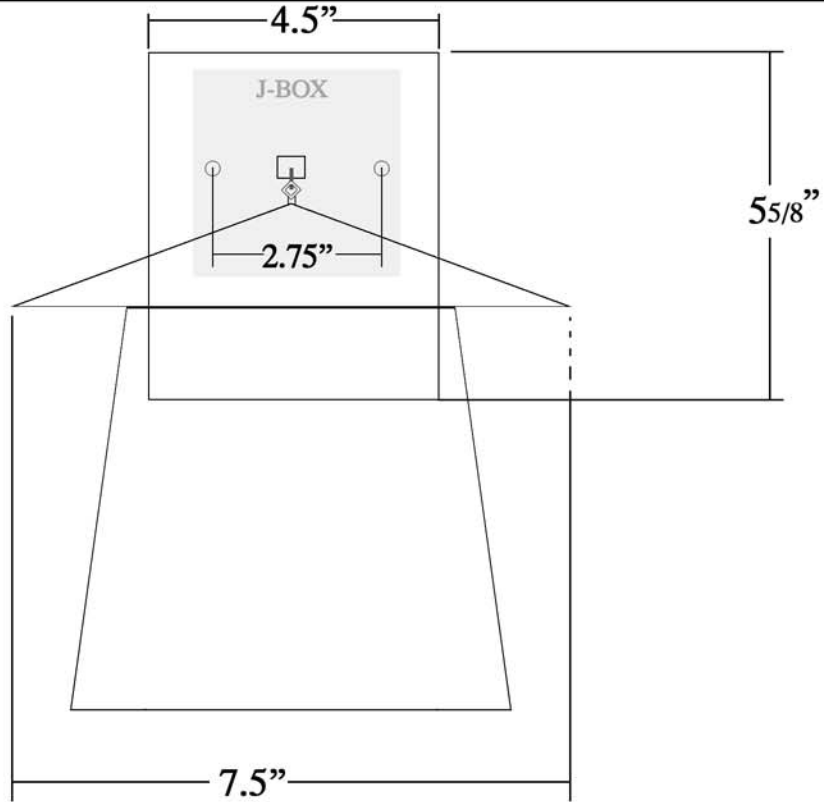
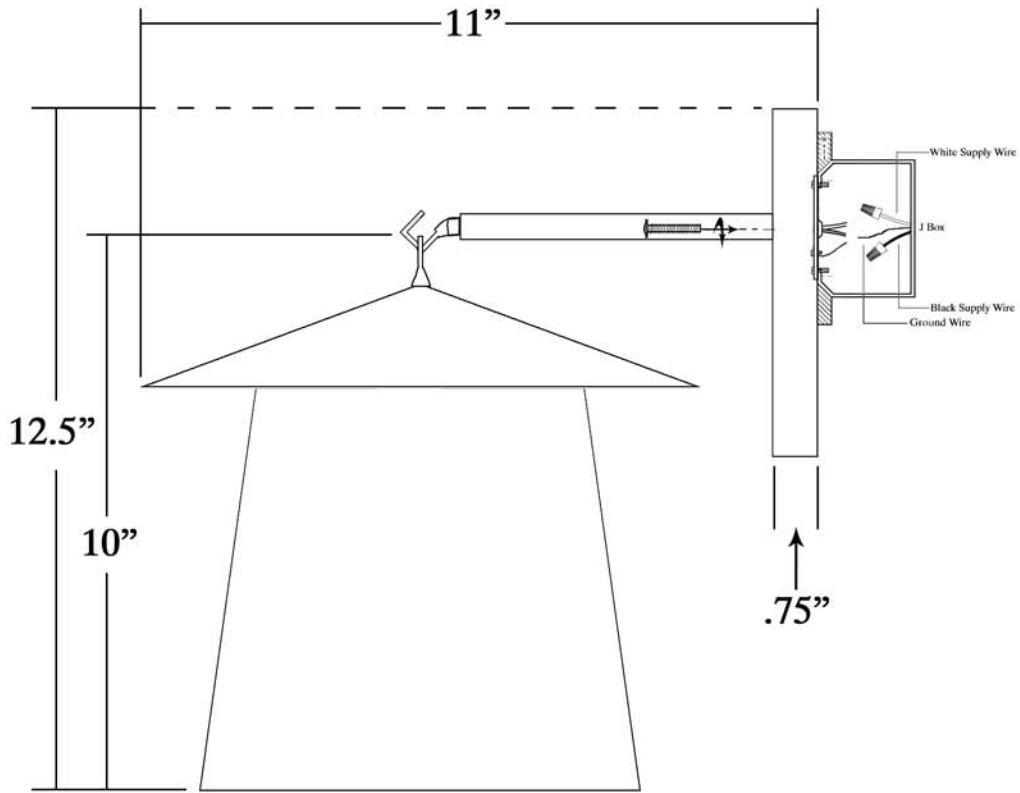


# CUT SHEET, ITEM # 15312

SIDE VIEW



FRONT VIEW



DRAWN BY 244	WEIGHT 5 LBS	DATE 1/05/10	© MEYDA TIFFANY, INC. © DESIGN COPYRIGHT, MEYDA TIFFANY, INC. ALL RIGHTS RESERVED, NO UNAUTHORIZED DUPLICATION			
VOLTAGE 120	GLASS COLOR SILVER MICA		BULB # 1	DISCRIPTION ELK WALL SCONCE		PROJECT NUMBER
FINISH RUST	MATERIAL STEEL/MICA		TYPE MEDIUM BASE	FIXTURE TYPE WALL SCONCE		DESIGN NUMBER 1-0015094012-17
			WATT 60			FINAL MODEL NUMBER 15312