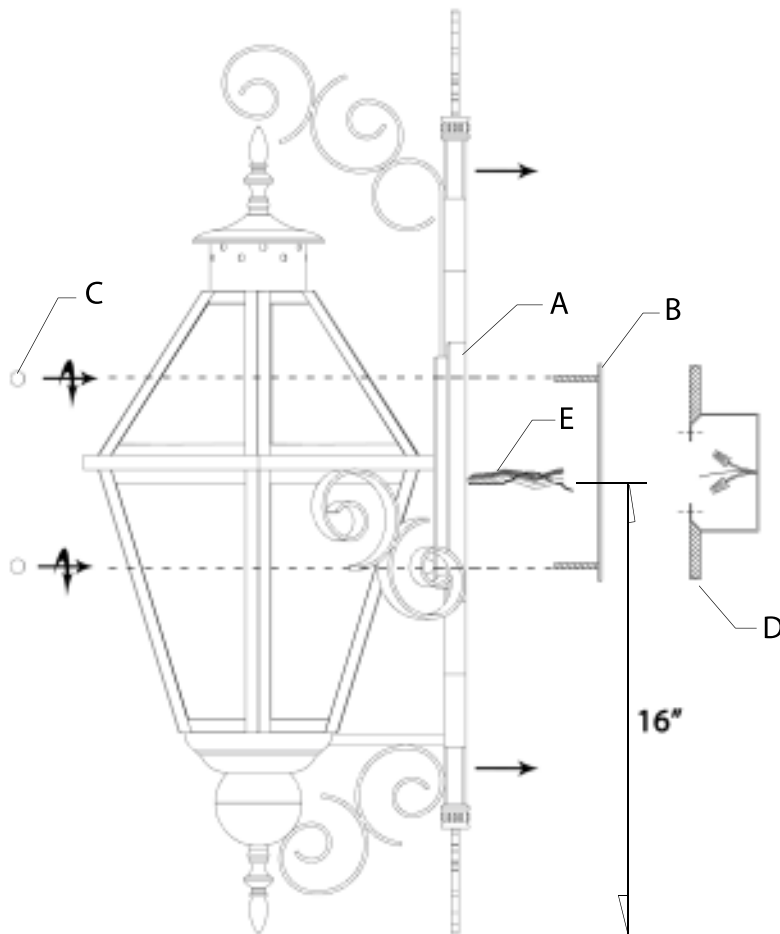


# ASSEMBLY INSTRUCTIONS FOR #148521



## IMPORTANT

TURN OFF THE POWER AT THE MAIN FUSE OR CIRCUIT BREAKER BOX BEFORE STARTING INSTALLATION

CAREFULLY UNPACK AND IDENTIFY ALL PARTS BEFORE ASSEMBLY. BULBS ARE NOT INCLUDED

- 1.) Attach mounting bracket (B) to electrical box (D) using customer provided fasteners.
- 2.) Wire electrical wires (E) to electrical box (D) as per local electrical codes.
- 3.) Place back plate (A) onto mounting bracket (B) and secure with ball nuts (C).
- 4.) Caulk perimeter of back plate (A) with a water proof sealant.

Note: There is a hinged door in the front of the fixture for lamping.



*"A Commitment to Excellence in Lighting and Service"*

CALL OUR CUSTOMER SERVICE DEPARTMENT AT 1-800-222-4009

MONDAY - FRIDAY 8:00 a.m. - 6:00 p.m. ET

visit us on the web at [www.meyda.com](http://www.meyda.com)