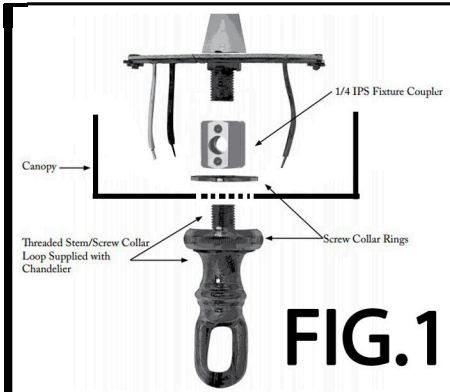
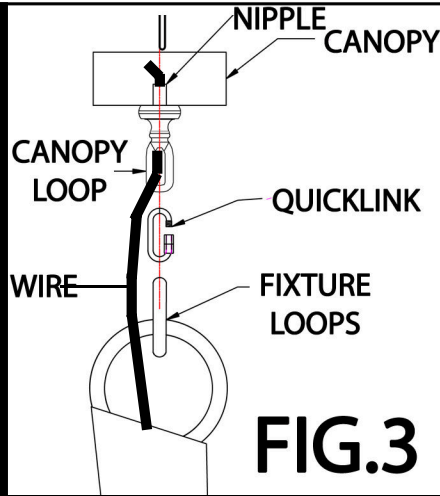


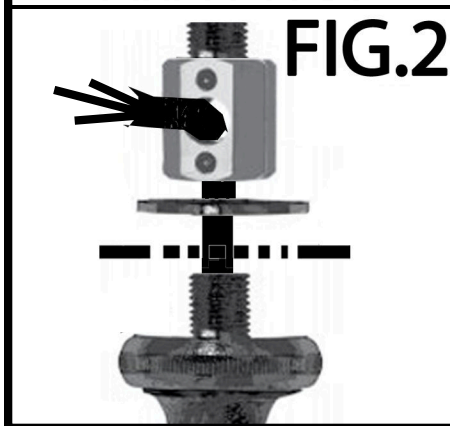
# ASSEMBLY INSTRUCTIONS FOR #148464



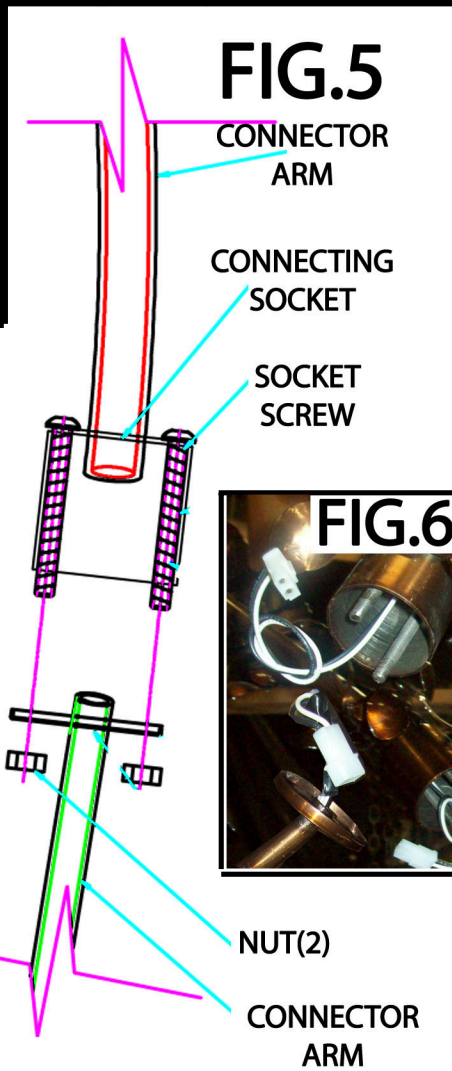
**FIG.1**



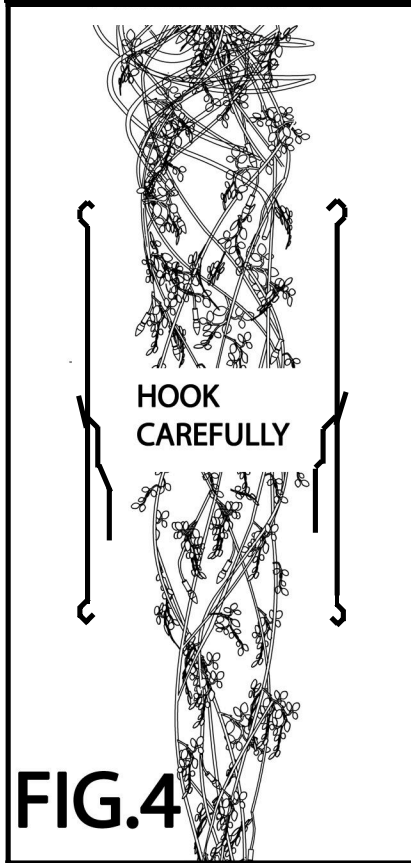
**FIG.3**



**FIG.2**



**FIG.5**



**FIG.4**



**FIG.6**

## IMPORTANT

TURN OFF THE POWER AT THE MAIN FUSE OR CIRCUIT BREAKER BOX BEFORE STARTING INSTALLATION

CAREFULLY UNPACK AND IDENTIFY ALL PARTS BEFORE ASSEMBLY. BULBS ARE NOT INCLUDED

THIS FIXTURE WEIGHS OVER 50 LBS. NEC:314.27B, A luminaire that weighs more than 23kg (50lb) shall be supported independently of the outlet box unless the outlet box is listed AND MARKED for the MAXIMUM weight to be supported.

- 1) ATTACH CANOPY ACCORDING TO YOUR ALLADIN LIFT MANUAL. (FIG.1)
- 2) ATTACH TOP HALF OF CHANDELIER TO CANOPY LOOP USING QUICKLINKS AND CHAIN. (YOU MAY NEED TO USE CHAIN PLIERS TO OPEN QUICKLINKS). (FIG.3)
- 3) RUN ELECTRICAL WIRE UP THE LENGTH OF THE CHAIN (YOU MAY WEAVE IN AND OUT OF CHAIN AS YOU SEE FIT, OR NOT). PASS THE WIRE THROUGH THE CANOPY AND CONNECTORS, MAKE A RIGHT ANGLE TURN OUT OF THE COUPLER. (FIG.2)
- 4) CONNECT ALL WIRES AS PER YOUR LOCAL CODES.
- 5) LIFT BOTTOM HALF OF CHANDELIER UP TO TOP HALF. ONE WAY WOULD BE TO USE RATCHET STRAPS ON EITHER SIDE. (FIG.4)
- 6) WHEN LINING UP YOUR CONNECTOR ARMS YOU SHOULD NOTE: ONE CONNECTOR IS HIGHER THAN THE REST AND OPPOSITE OF THAT TWO CONNECTORS ARE CLOSER TOGETHER THAN THE REST.
- 7) CONNECT ALL WIRES 1ST USING PLUGS ATTACHED TO WIRES.(FIG.6)
- 8) MAKE FINAL CONNECTION BY SENDING SOCKET SCREWS THROUGH HOLES ON OTHER SIDE OF ARM AND SECURE WITH THE NUTS PROVIDED.(FIG.5)
- 9) BULB YOUR FIXTURE, TURN ON POWER.



*"A Commitment to Excellence in Lighting and Service"*

CALL OUR CUSTOMER SERVICE DEPARTMENT AT 1-800-222-4009

MONDAY - FRIDAY 8:00 a.m. - 6:00 p.m. ET

visit us on the web at [www.meyda.com](http://www.meyda.com)