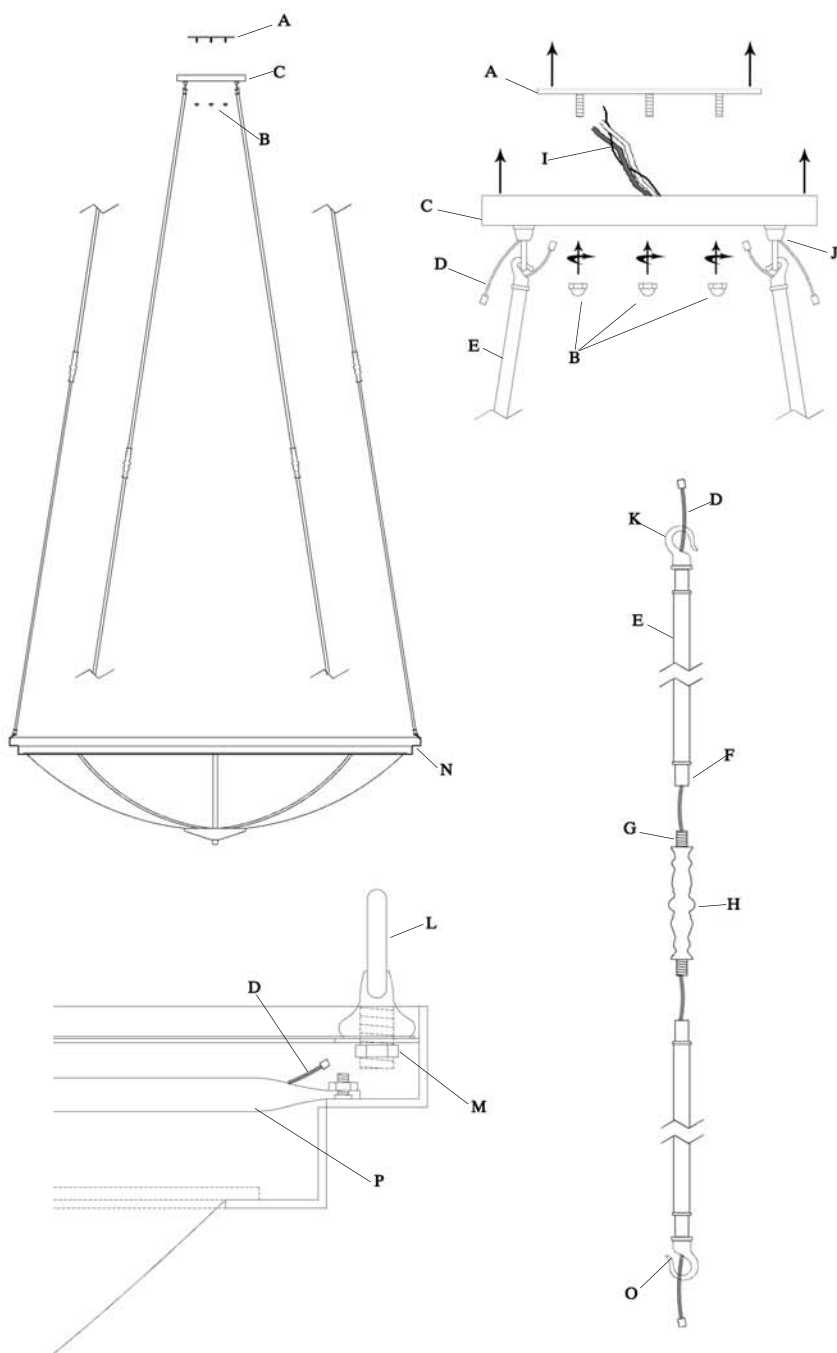


ASSEMBLY INSTRUCTIONS FOR #145483



IMPORTANT

TURN OFF THE POWER AT THE MAIN FUSE OR CIRCUIT BREAKER BOX BEFORE STARTING INSTALLATION

CAREFULLY UNPACK AND IDENTIFY ALL PARTS BEFORE ASSEMBLY. BULBS ARE NOT INCLUDED

THIS FIXTURE WEIGHS OVER 50 LBS. NEC:314.27B, A luminaire that weighs more than 23kg (50lb) shall be supported independently of the outlet box unless the outlet box is listed AND MARKED for the MAXIMUM weight to be supported.

- 1.) Attach mounting plate (A) to a secure location using customer provided screws.
- 2.) Wire as per local electrical codes.
- 3.) Ensure that molex plugs (D) are poking through canopy loops (J) and attach canopy (C) to mounting plate (A) using canopy nuts (B).
- 4.) Utilize nipples (G), ornate breaks (H), couplings (F), and rod sections (E) to assembly the four fixture rods as shown.
- 5.) Carefully hang fixture rods from canopy by attaching upper rod hooks (K) to canopy loops (J).
- 6.) Connect molex plugs (D) from canopy loops (J) to upper rod hooks (K).
- 7.) Attach frame loops (L) to fixture frame (N) using frame nuts (M) as shown.
- 8.) Raise up fixture frame (N) and attach lower rod hooks (O) to frame loops (L).
- 9.) Connect molex plugs (D) from lower rod hooks (O) to light bar (P).
- 10.) Adjust frame loop (L) and frame nut (M) in order to make fixture rods taut.



"A Commitment to Excellence in Lighting and Service"

CALL OUR CUSTOMER SERVICE DEPARTMENT AT 1-800-222-4009

MONDAY - FRIDAY 8:00 a.m. - 6:00 p.m. ET

visit us on the web at www.meyda.com