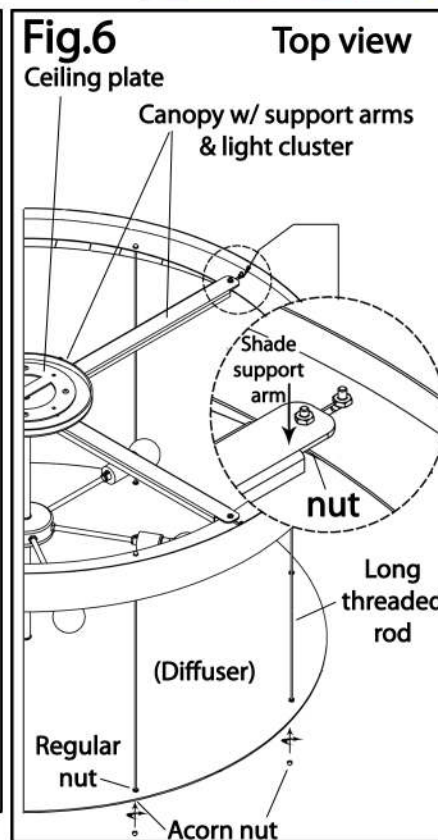
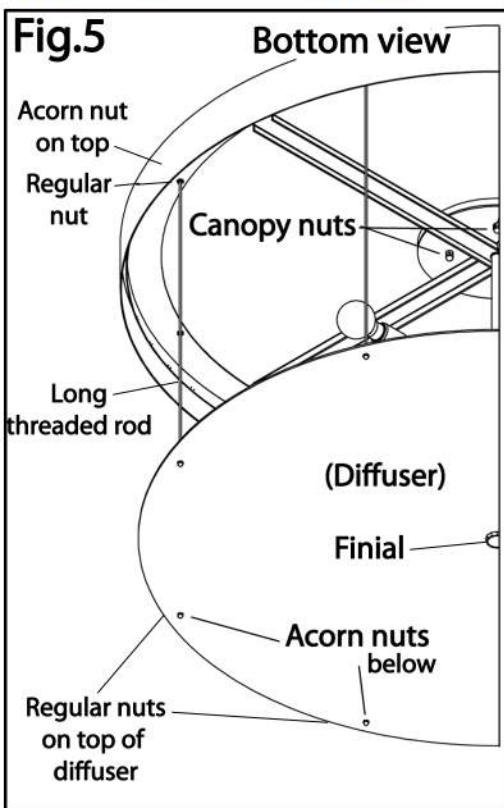
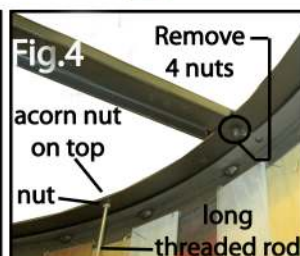
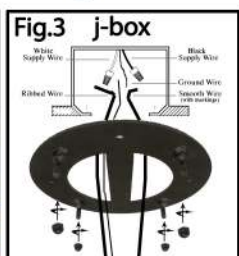
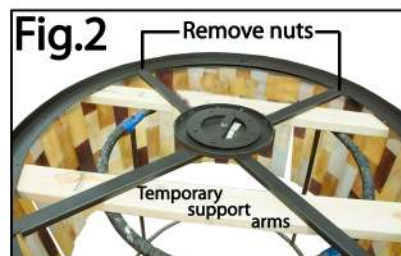
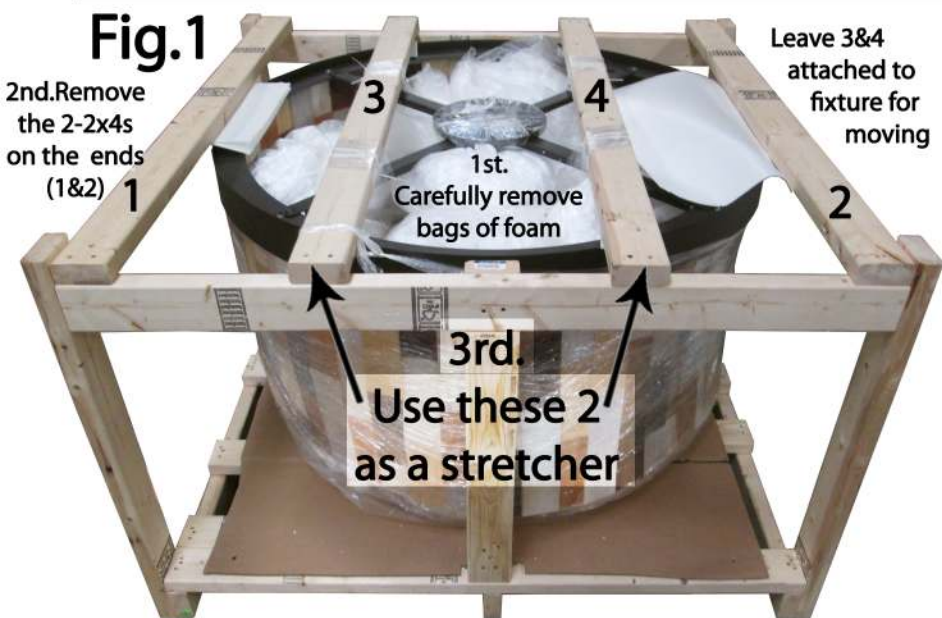


WARNING:

THIS FIXTURE WEIGHS OVER 50 LBS. NEC:314.27B, A luminaire that weighs more than 23kg (50lb) shall be supported independently of the outlet box unless the outlet box is listed AND MARKED for the MAXIMUM weight to be supported.

ASSEMBLY INSTRUCTIONS FOR # 145289**IMPORTANT**

TURN OFF THE POWER AT THE MAIN FUSE OR CIRCUIT BREAKER BOX BEFORE STARTING INSTALLATION

CAREFULLY UNPACK AND IDENTIFY ALL PARTS BEFORE ASSEMBLY. BULBS ARE NOT INCLUDED

1.) Please read before unpacking! When you are unpacking your fixture, please use delicate caution. Remove bags of styrofoam material, be aware that some of the bags may "grab" the copper pins which hold the acrylic tiles together. Pull these bags out carefully. Check as you are unpacking. If any pins are disturbed just bend them back flat.

2.) When unpacking, you need to support the ring that holds the acrylic tiles. We have included temporary support arms to use (Fig.2), while you fix the canopy and support arms to the ceiling. Unscrew the 2x4s on top of crate, leave the center two connected to fixture! Remove the two (1&2) on the sides of crate. You may use the two center 2x4s (3&4) to remove fixture from crate (like a stretcher) and onto temporary support arms. (Fig.1&2)

3.) Once fixture is on temp. support arms, remove the center 2x4s (3&4) from fixture. (Fig.1&2)

4.) Remove the canopy and shade support arms by unscrewing the nuts that hold the shade to the arms. (Fig.2&4)

5.) Attach ceiling plate to ceiling, SEE WARNING at the top of page!! Bring shade support arms/light cluster to your ceiling plate. Make all electrical connections as per local codes. Slide canopy onto the four bolts pointing down from the ceiling plate. Secure in place with the four canopy nuts. (Fig.3&5)

6.) Take your long threaded rods and secure to the top of the shade using the nuts and acorn nuts provided. (Fig.5 & 6)

7.) Bring your ring of tiles to the support arms and secure to the arms with the four support arm nuts you removed in step 4. (Fig.2, 4 & 6)

8.) You may want to bulb at this time.

9.) Place diffuser: the 8 long threaded rods hanging from the top ring should have a nut on the bottom. Your diffuser should slide onto these rods to meet the regular nut. Secure with the diffuser ball nuts provided. Halfway through ball nut placement: be sure that your center rod from light cluster penetrates the center of your diffuser. Screw finial onto this rod. Continue with diffuser ball nuts. (Fig.5)



"A Commitment to Excellence in Lighting and Service"

CALL OUR CUSTOMER SERVICE DEPARTMENT AT 1-800-222-4009

MONDAY - FRIDAY 8:00 a.m. - 6:00 p.m. ET

visit us on the web at www.meyda.com