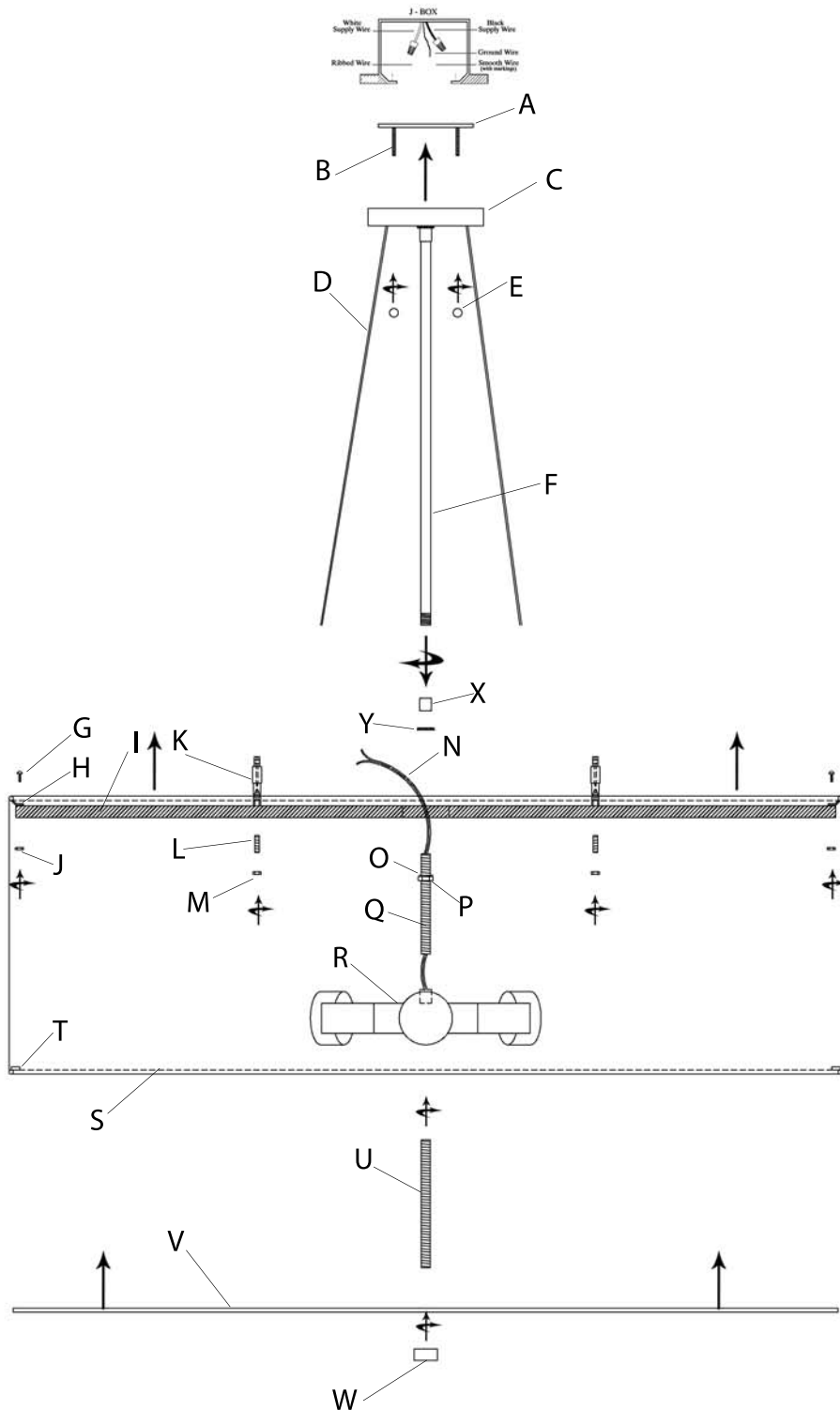


ASSEMBLY INSTRUCTIONS FOR #144952/144954/144956



IMPORTANT

TURN OFF THE POWER AT THE MAIN FUSE OR CIRCUIT BREAKER BOX BEFORE STARTING INSTALLATION

CAREFULLY UNPACK AND IDENTIFY ALL PARTS BEFORE ASSEMBLY. BULBS ARE NOT INCLUDED

- 1.) Attach cross bar (A) to j-box using customer provided screws.
- 2.) Pull electrical wires (N) through cluster pipe (Q) and screw cluster pipe (Q) into light cluster (R).
- 3.) Feed electrical wires (N) through center hole in cross bar (I) and secure with knurled nut (Y) and coupling (X), as shown.
- 4.) Attach cross bar (I) to shade tabs (H) using nuts (J) and screws (G), provided.
- 5.) Feed electrical wires (N) up fixture rod (F) and screw fixture rod (F) into coupling (X).
- 6.) Raise up canopy (C) to cross bar (A) and wire as per local electrical codes.
- 7.) Feed aircraft cables (D) through canopy (C).
- 7.) Secure canopy (C) to cross bar (A) using canopy screws (B) and ball nuts (E), provided.
- 8.) Attach cable grippers (K) to cross bar (I) with nipples (L) and nuts (M), as shown.
- 9.) Feed aircraft cables (D) through cable grippers (K), adjust cables so shade (S) hangs straight, and clip off excess cable.
- 10.) Screw diffuser pipe (U) into bottom of light cluster (R).
- 11.) Install light bulbs.
- 12.) Place acrylic diffuser on top of shade pegs (T) and secure with cap (W).



"A Commitment to Excellence in Lighting and Service"

CALL OUR CUSTOMER SERVICE DEPARTMENT AT 1-800-222-4009

MONDAY - FRIDAY 8:00 a.m. - 6:00 p.m. ET

visit us on the web at www.meyda.com