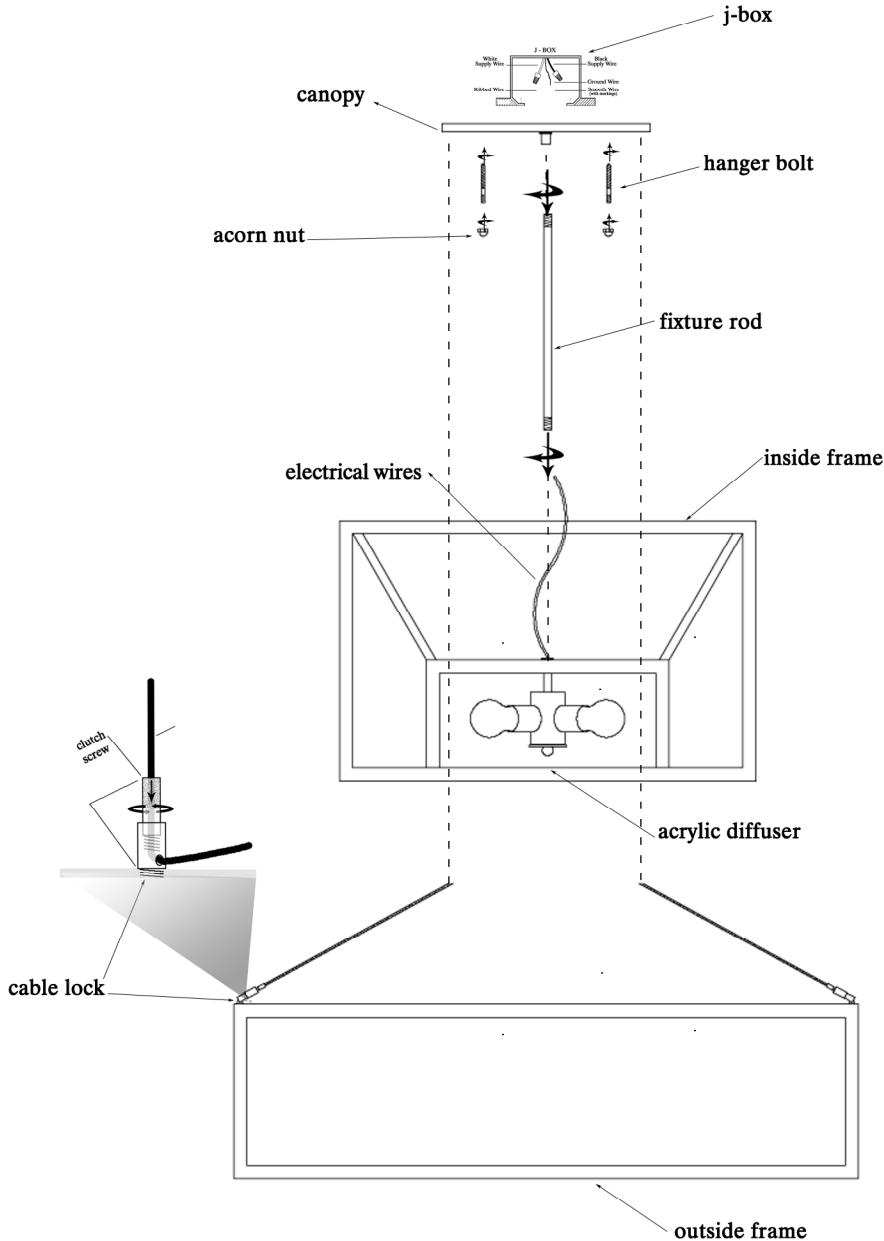


# ASSEMBLY INSTRUCTIONS FOR #134842 (5633-99)



## IMPORTANT

TURN OFF THE POWER AT THE MAIN FUSE OR CIRCUIT BREAKER BOX BEFORE STARTING INSTALLATION

CAREFULLY UNPACK AND IDENTIFY ALL PARTS BEFORE ASSEMBLY. BULBS ARE NOT INCLUDED

**THIS FIXTURE WEIGHS OVER 50 LBS. NEC:314.27B, A luminaire that weighs more than 23kg (50lb) shall be supported independently of the outlet box unless the outlet box is listed AND MARKED for the MAXIMUM weight to be supported.**

- 1.) Feed electrical wires up fixture rod and screw fixture rod onto inside frame.
- 2.) Feed electrical wires through canopy and screw canopy onto fixture rod.
- 3.) Place fixture cables down through canopy and into cable locks (adjust fixture cable length and level, once correct tighten clutch screw).
- 4.) One person hold up assembled fixture while the other wires to j-box as per local electrical code.
- 5.) Use hangerbolts to mount canopy to a secure location.
- 6.) Screw acorn nuts onto hanger bolts.
- 7.) Make final adjustments to fixture cables so that outside frame hangs level, then trim away excess cable.
- 8.) The bottom diffuser of the inside frame can be pushed up out of the way in order to lamp/re-lamp.



*"A Commitment to Excellence in Lighting and Service"*

CALL OUR CUSTOMER SERVICE DEPARTMENT AT 1-800-222-4009

MONDAY - FRIDAY 8:00 a.m. - 6:00 p.m. ET

visit us on the web at [www.meyda.com](http://www.meyda.com)