

INSTALLATION INSTRUCTIONS

FOR ITEM 130746 SUTTER 4 LIGHT FLUSHMOUNT

Meyda
CUSTOM LIGHTING

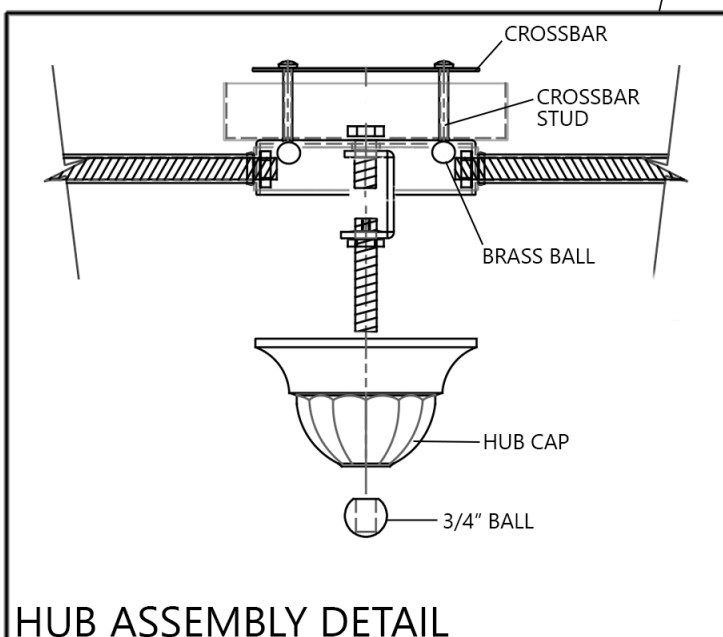
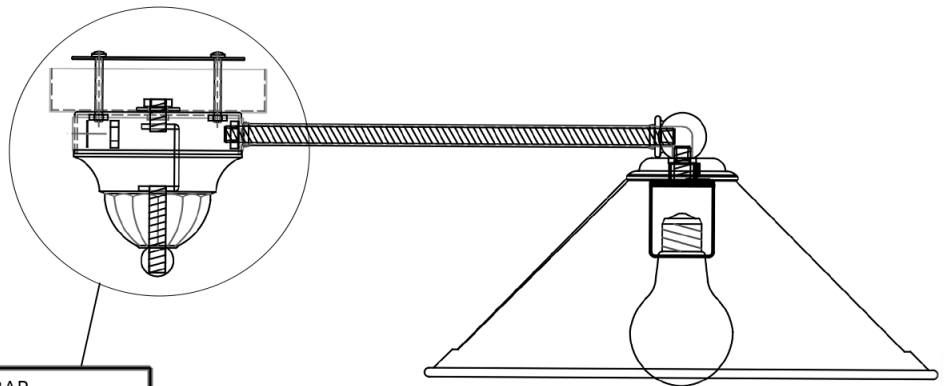
CAUTION: FAILURE TO INSTALL THIS FIXTURE PROPERLY MAY RESULT IN SERIOUS PERSONAL INJURY OR DEATH AND PROPERTY DAMAGE. We recommend installation by a licensed electrician. This product must be installed in accordance with applicable installation code(s), by a person familiar with the construction and operation of the product and the hazards involved.*

Caution: Do not exceed maximum wattage noted on fixture. Use only recommended bulbs with fixture.

Caution:

***Be sure power is off at the main breaker box prior to installation.
Read all instructions in their entirety before beginning installation.***

1. Carefully unpack all components and make certain that everything is accounted for.
2. Unscrew 3/4" Ball from Hub Assembly and remove Hub Cap. Reserve Ball for later use.
3. Remove Brass Balls inside Hub Assembly to release Universal Crossbar with Studs. Reserve Balls for later use.
4. Affix Universal Crossbar to Junction Box with Customer Supplied Fasteners ensuring that connection is suitable to hold a minimum of 10lbs and that Electrical Supply Wires remain accessible.
5. Following all Local Codes and Procedures, make electrical connection from Fixture Lead Wires to Supply Wires.
6. Lift Fixture up to ceiling allowing Crossbar Studs to pass through center of Hub. Secure Fixture with reserved Brass Balls.
7. Replace Hub Cap and secure with reserved Ball.
8. Install 4 Medium Base 60Watt Bulbs(not included) into Sockets.
9. Power on and ENJOY!!!



HUB ASSEMBLY DETAIL