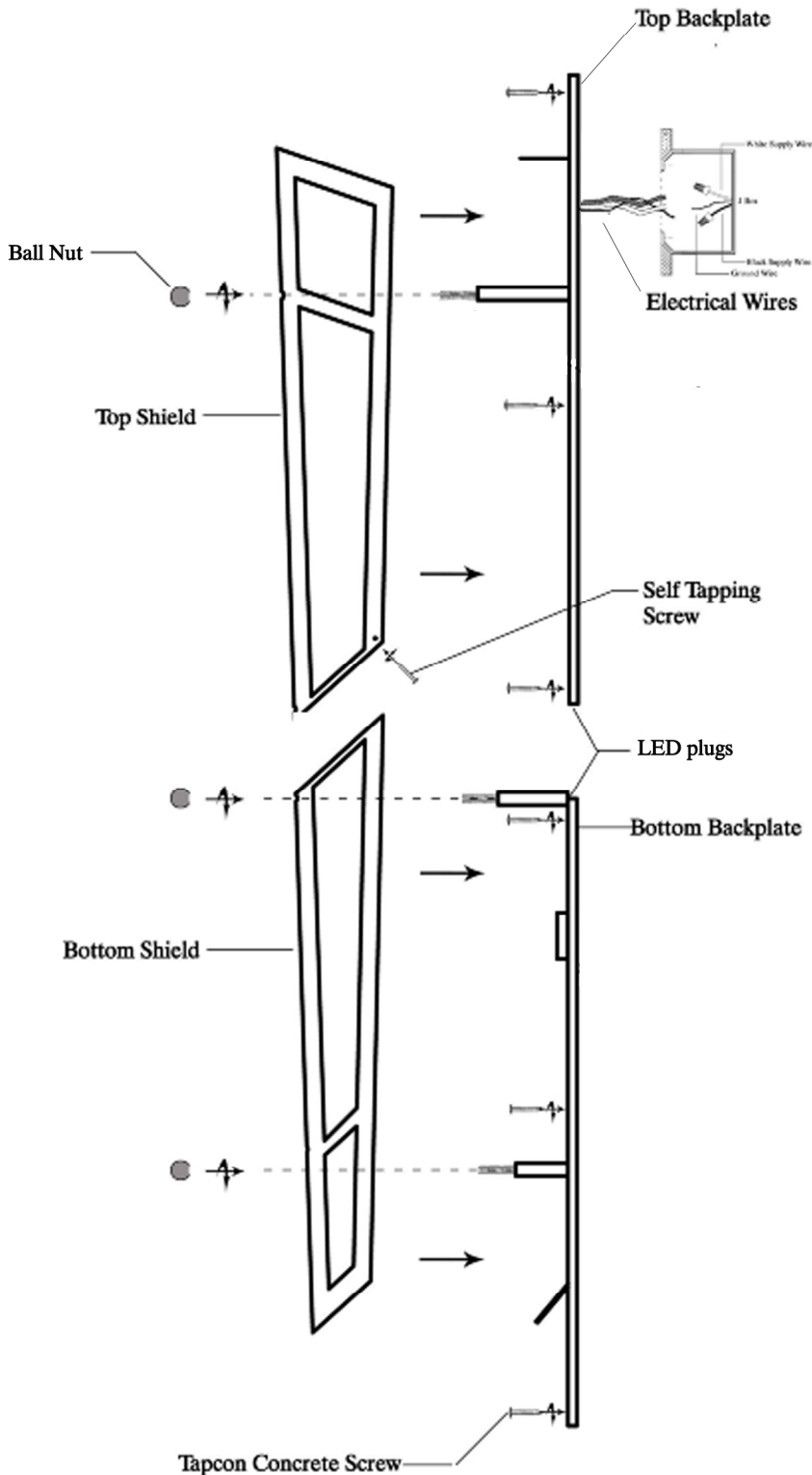


ASSEMBLY INSTRUCTIONS FOR #130418(35613-26B)



IMPORTANT

TURN OFF THE POWER AT THE MAIN FUSE OR CIRCUIT BREAKER BOX BEFORE STARTING INSTALLATION

CAREFULLY UNPACK AND IDENTIFY ALL PARTS BEFORE ASSEMBLY. BULBS ARE NOT INCLUDED

- 1.) Wire top backplate to J-box as per local electrical code.
- 2.) Secure top backplate to wall using tapcon concrete screws (6), provided.
- 3.) Connect LED plug from bottom of top backplate to the LED plug on the top of bottom backplate.
- 4.) Secure bottom backplate to wall with tapcon concrete screws provided.
- 5.) Attach bottom shield to bottom backplate and secure with bottom ball nuts(2).
- 6.) Place top shield into position and attach to top backplate with ball nut(1).
- 7.) Hold top shield firmly to bottom shield and attach with self-tapping screws.



"A Commitment to Excellence in Lighting and Service"

CALL OUR CUSTOMER SERVICE DEPARTMENT AT 1-800-222-4009

MONDAY - FRIDAY 8:00 a.m. - 6:00 p.m. ET

visit us on the web at www.meyda.com